

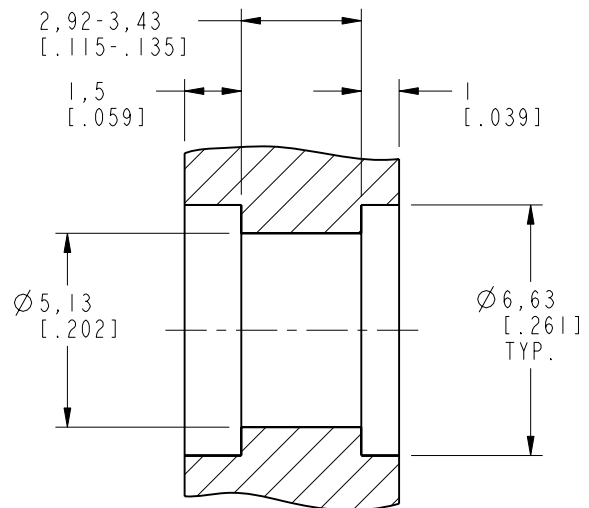
NOTES:

1. MATERIALS AND FINISHES:  
 BODIES - BRASS, NICKEL PLATED  
 CONTACT - BERYLLIUM COPPER, GOLD PLATED  
 INSULATOR - PTFE, NATURAL  
 FERRULE - COPPER, GOLD PLATED
2. ELECTRICAL:  
 A. IMPEDANCE: 50 OHM  
 B. FREQUENCY RANGE: DC - 6 GHz  
 C. VSWR : 1.15:1 MAX @ DC - 6 GHz
3. MECHANICAL:  
 A. DURABILITY: 100 MATING CYCLES MIN.  
 B. TEMPERATURE RANGE: -65° C TO +165° C
4. PACKAGING:  
 A. QUANTITY: SINGLE PACK  
 B. MARKING: BAG TO BE MARKED  
 "AMPHENOL RF, 925-136J-51S, AND DATE CODE"
5. CABLE ASSEMBLY INSTRUCTIONS.  
 A. TRIM CABLE AS SHOWN.  
 B. SLIDE FERRULE OVER CABLE.  
 C. SOLDER CENTER CONTACT TO CABLE CENTER CONDUCTOR.  
 D. INSERT CONTACT TO INSULATOR UNTIL CONTACT BOTTOMS.  
 E. CRIMP FERULE OVER BRAID AND BODY USING .105" HEX.

THIRD ANGLE PROJ.

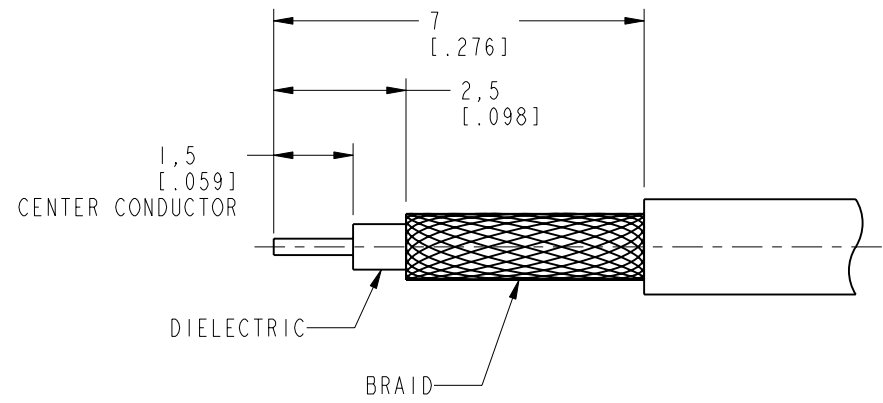
REVISIONS

REV	DESCRIPTION	DATE	ECO	APPR
A	RELEASE TO MFG	07-Feb-17	2945	BMG
B	THE BODY-REAR WAS CHANGED/RD-DM17033101M	13-Apr-17	03461	SH

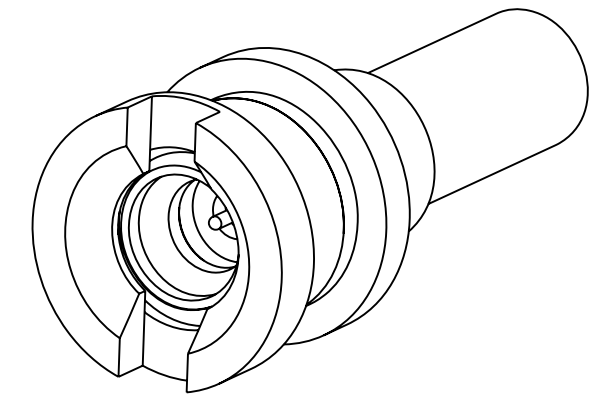


**RECOMMENDED MOUNTING HOLE DIMENSIONS**

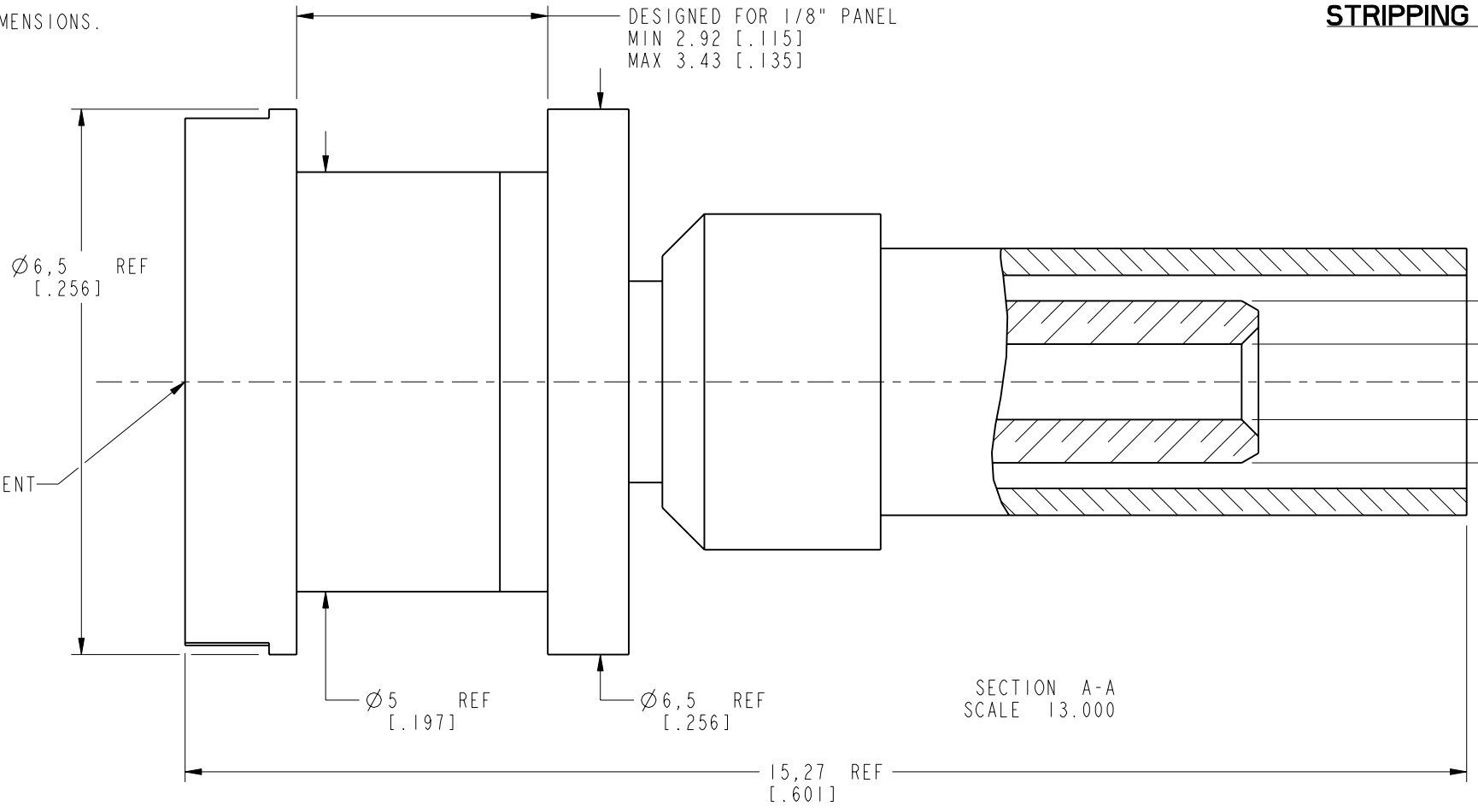
SCALE 5.000



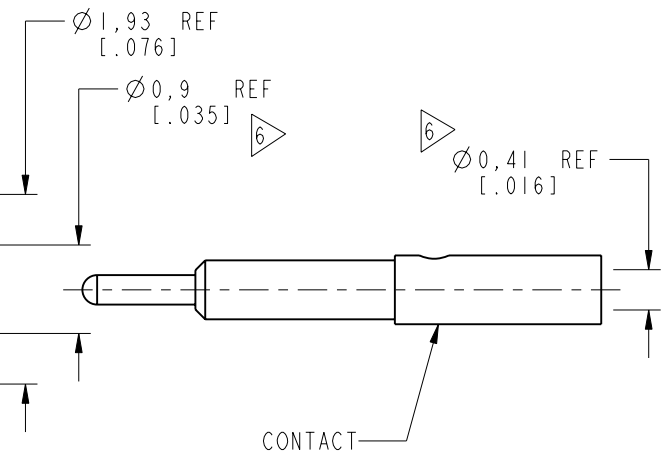
**RECOMMENDED CABLE STRIPPING DIMENSIONS**



6 SHOWS CABLE ENTRY DIMENSIONS.



SECTION A-A  
SCALE 13.000



**CUSTOMER OUTLINE DRAWING**

ALL OTHER SHEETS ARE FOR INTERNAL USE ONLY

UNLESS OTHERWISE SPECIFIED, DIMENSIONS ARE IN METRIC AND TOLERANCES ARE: <0.5mm ±0.05mm    0.5 - 6mm ±0.1mm    6 - 30mm ±0.2mm    30 - 120mm ±0.3mm    ANGLES ±1°	MATERIAL SEE NOTES  REFERENCE EAR # 5420  CONFIGURATION LEVEL: In Work  FINISH	DRAWN M. ZHANG DATE 12-Apr-17	TITLE SMPM STR JACK BHD FULL DETENT FOR RG-178 CABLE SCALE: 15.0:1.0 SHEET 2 OF 2 DWG SIZE B    REV B	Amphenol RF www.amphenolrf.com
		ENGINEER E. WANKOFF DATE 01-May-13		
NOTICE - These drawings, specifications, or other data (1) are, and remain the property of Amphenol corp. (2) must be returned upon request; and (3) are confidential and not to be disclosed to any person other than those to whom they are given by Amphenol Corp. the furnishing of these drawings, specifications, or other data by Amphenol Corp., or to any other person to anyone for any purpose is not to be regarded by implication or otherwise in any manner licensing, granting rights to permitting such holder or any other person to manufacture, use or sell any product, process or design, patented or otherwise, that may in any way be related to or disclosed by said drawings, specifications, or other data.		DRAWING NO. 925-136J-51S ITEM NO. 925-136J-51S PART NO. 925-136J-51S		