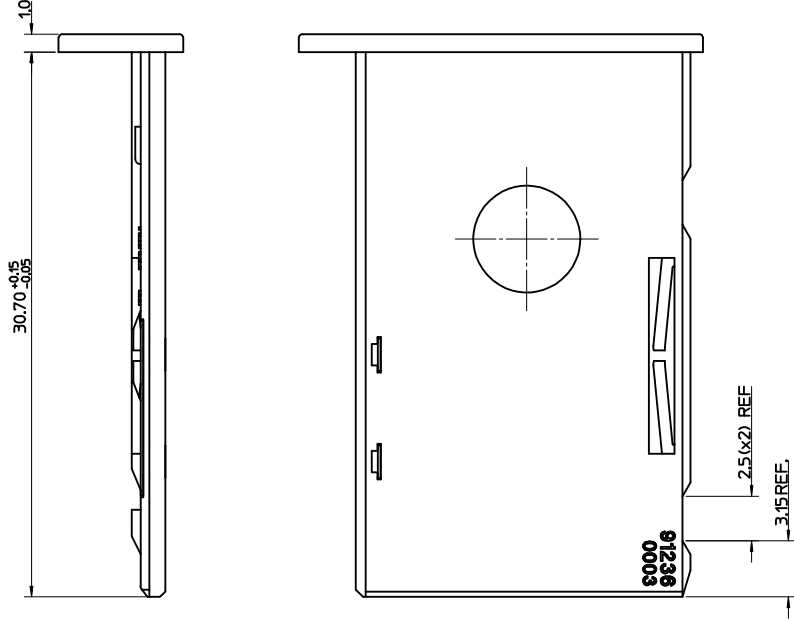
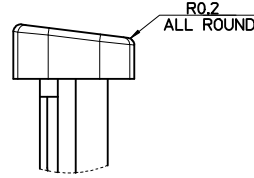
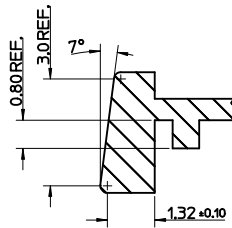
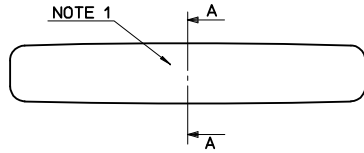


ITEM	COMPONENT	QTY	MATERIAL
▽	HOUSING	1	LCP E130I, 30% GLASS FILL, UL-94 V-0 COLOUR BLACK
▽	TERMINAL	1	0.15 PHOSPHOR BRONZE Au OVER Pd/Ni IN CONTACT AREA

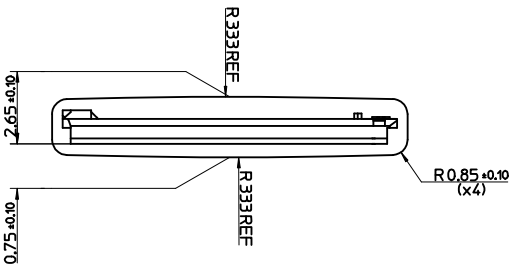
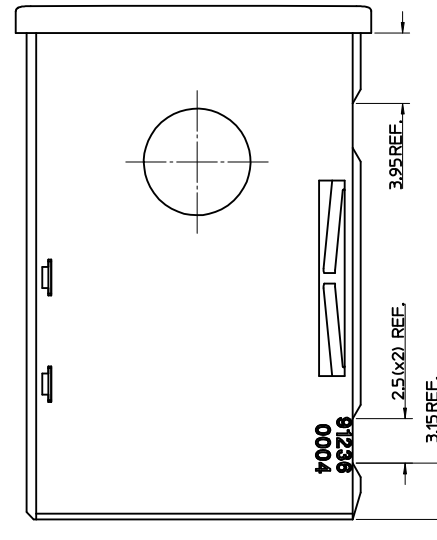
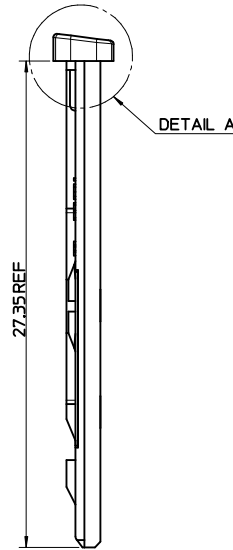
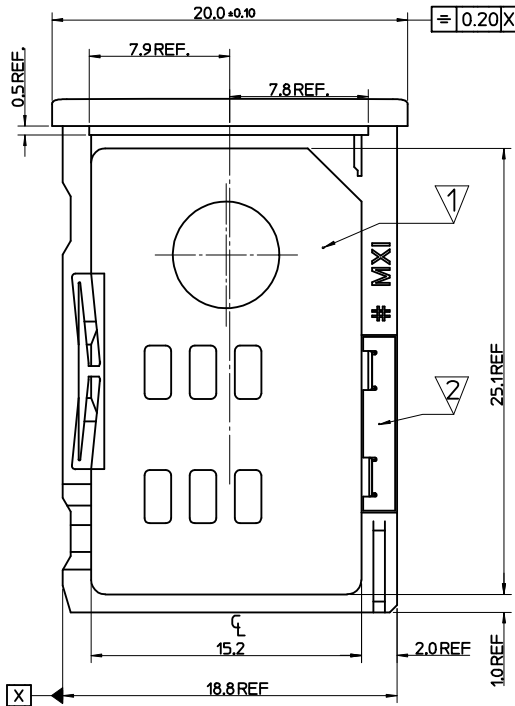


NOTES:
 1. POLISHED SURFACE FINISH IN SHADED AREA
 2. PACKAGING: LOOSE IN BAG
 3. FOR ALL UNSPECIFIED DIMENSIONS AND NOTES SEE SHEET 1

ADDED GATE ECN NO: E2002-0530 DRWN:FDUGGAN 2001/12/11 CHKD: APPR:	QUALITY SYMBOLS	GENERAL TOLERANCES (UNLESS SPECIFIED)	SCALE 5:1	DESIGN UNITS METRIC	THIRD ANGLE PROJECTION	REVISE ON CAD ONLY
	▽ - 0	4 PLACES ± --- ± ---	mm INCH	DIMENSION STYLE MM ONLY	TITLE CARD HOLDER	
	▽ C - 0	3 PLACES ± --- ± ---		DRAWN BY MINDORAK	DATE 00/05/31	
		2 PLACES ± 0.05 ± ---		CHECKED BY DHANNON	DATE 00/07/13	
	1 PLACE ± 0.10 ± ---	ANGULAR ± 2 °	APPROVED BY MWILHITE	DATE 00/07/13	MATERIAL NO. 912360003	DOCUMENT NO. SDA-91236
		DRAFT WHERE APPLICABLE	THIS DRAWING CONTAINS INFORMATION THAT IS PROPRIETARY TO MOLEX INCORPORATED AND SHOULD NOT BE USED WITHOUT WRITTEN PERMISSION			
		MUST REMAIN WITHIN DIMENSIONS	SHEET NO. 3 OF 6			

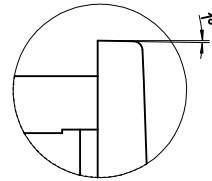
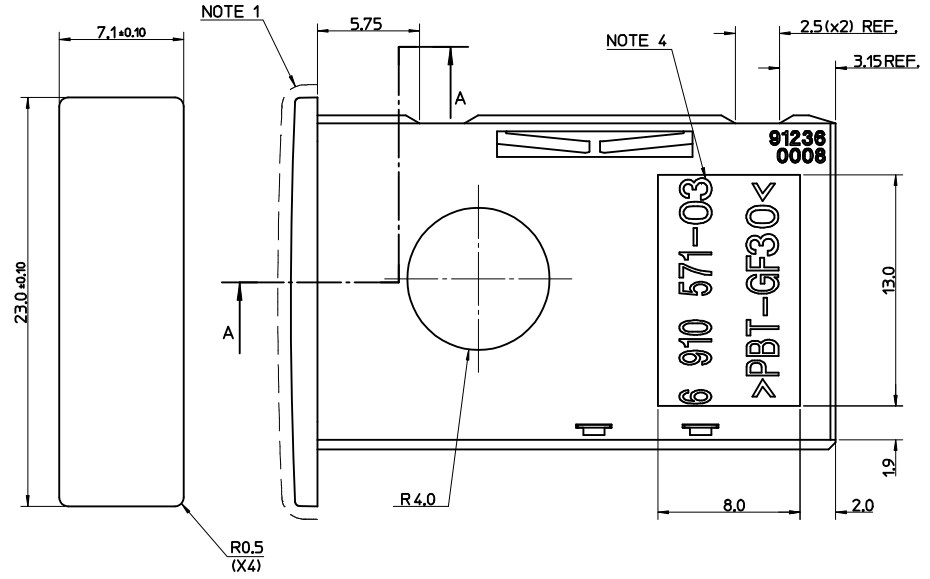
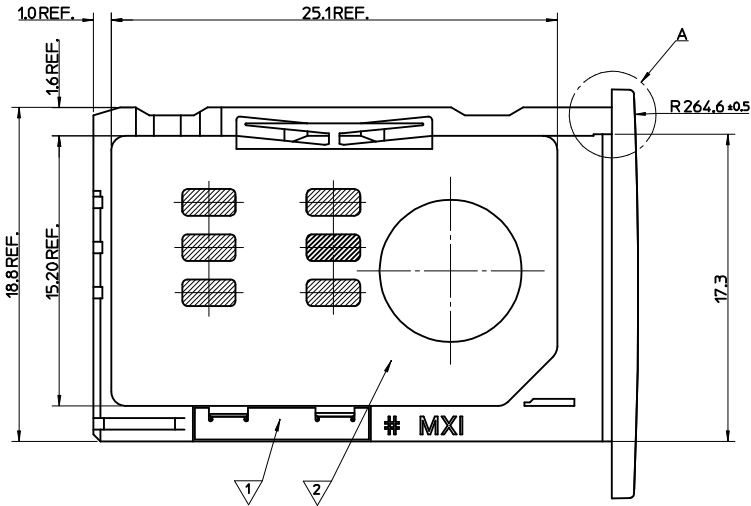
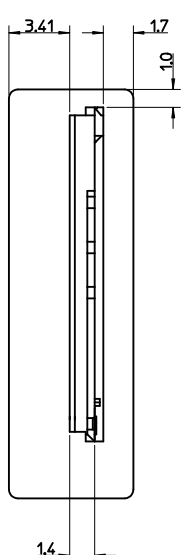


ITEM	COMPONENT	QTY	MATERIAL
▽	HOUSING	1	POLYSTER (PBT), 45% GLASS FILL, UL94 V-0 COLOUR BLACK
▽	TERMINAL	1	0.15 PHOSPHOR BRONZE Au OVER Pb/Ni IN CONTACT AREA

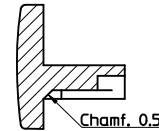
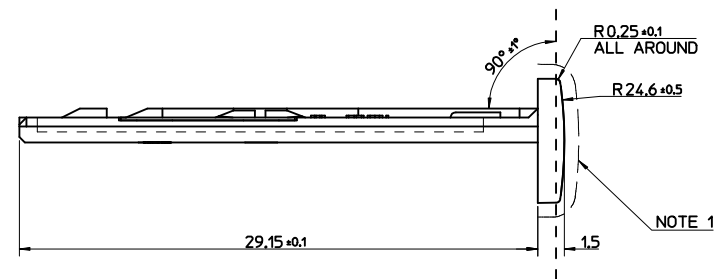


- NOTES:
- VDI 3400 NO. 27 SURFACE FINISH
 - PACKAGING: LOOSE IN BAG
 - FOR ALL UNSPECIFIED DIMENSIONS AND NOTES SEE SHEET 1

SEE SHEET 1	EC NO: DRWN:FDUGGAN 2001/12/11 CHKD: 2002/01/04 APPR:BMAGUIRE 2002/01/04	QUALITY SYMBOLS ▽ - 0 ▽ - 0	GENERAL TOLERANCES (UNLESS SPECIFIED)		SCALE 5:1	DESIGN UNITS METRIC	THIRD ANGLE PROJECTION	REVISE ON CAD ONLY		
			4 PLACES ± --- ± ---	3 PLACES ± --- ± ---	2 PLACES ± 0.05 ± ---	1 PLACE ± 0.10 ± ---	DIMENSION STYLE MM ONLY		TITLE CARD HOLDER	
G	DESCRIPTION REV	DRAFT WHERE APPLICABLE MUST REMAIN WITHIN DIMENSIONS		APPROVED BY MWILHITE	DATE 00/07/13	CHECKED BY DHANNON	DATE 00/07/13	MATERIAL NO. 912360004	DOCUMENT NO. SDA-91236	SHEET NO. 4 OF 6
		THIS DRAWING CONTAINS INFORMATION THAT IS PROPRIETARY TO MOLEX INCORPORATED AND SHOULD NOT BE USED WITHOUT WRITTEN PERMISSION								



DETAIL A
(SCALE 10:1)



A-A

- NOTES:
1. VISIBLE AREA: NO PARTING LINES PERMISSIBLE IN THIS AREA
FEINNARBE K (ÄTZSTRUKTUR) SURFACE FINISH
 2. SEE PRODUCT SPECIFICATION: TBD
 3. PACKAGING: LOOSE IN BAG
 4. EXCHANGEABLE INSERT AREA 0.1 RECESSED, LETTERING 0.1 RAISED
 5. FOR ALL UNSPECIFIED DIMENSIONS AND NOTES SEE SHEET 1

ITEM	COMPONENT	QTY	MATERIAL
▽	TERMINAL	1	0.15 PHOSPHOR BRONZE 0.1µm MIN Au OVER Pd/Ni IN CONTACT AREA
▽	HOUSING	1	GF PBT, BLACK

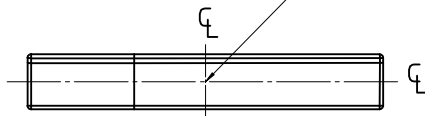
SEE SHEET 1	EC NO:	DRWN:FDUGGAN 2001/12/11
	CHKD:	2002/01/04
	APPR:	BMAGUIRE 2002/01/04
	REV	DESCRIPTION

QUALITY SYMBOLS		GENERAL TOLERANCES (UNLESS SPECIFIED)	
▽ - 0		mm	INCH
▽ - 0		4 PLACES ± ---	± ---
		3 PLACES ± ---	± ---
		2 PLACES ± 0.05	± ---
		1 PLACE ± 0.10	± ---
		ANGULAR ± 2 °	
		DRAFT WHERE APPLICABLE	
		MUST REMAIN WITHIN DIMENSIONS	

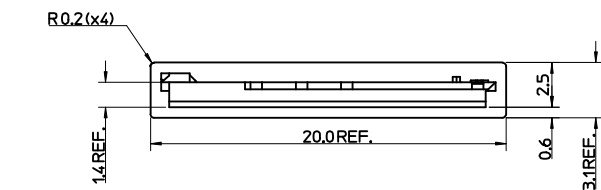
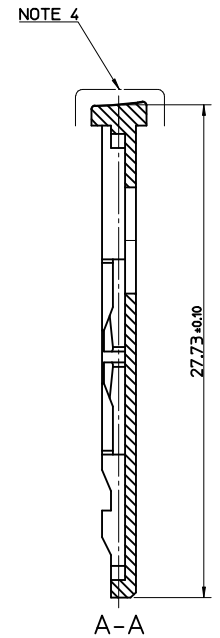
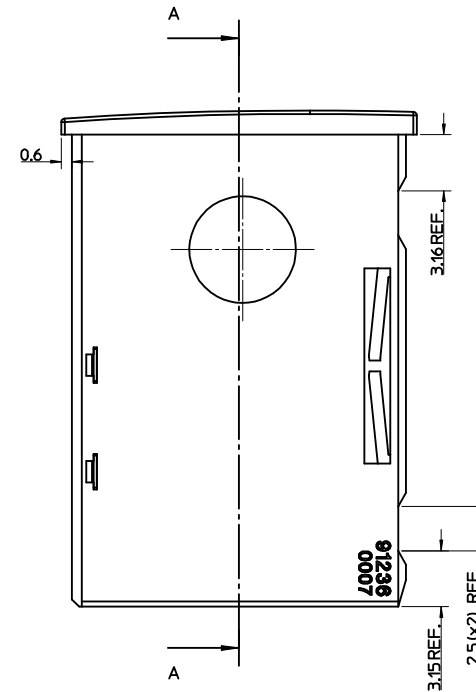
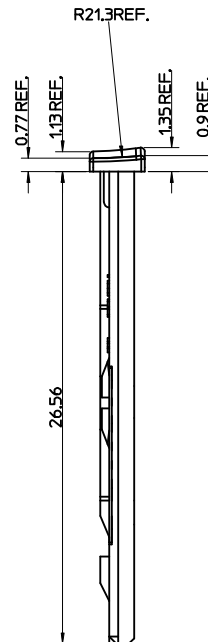
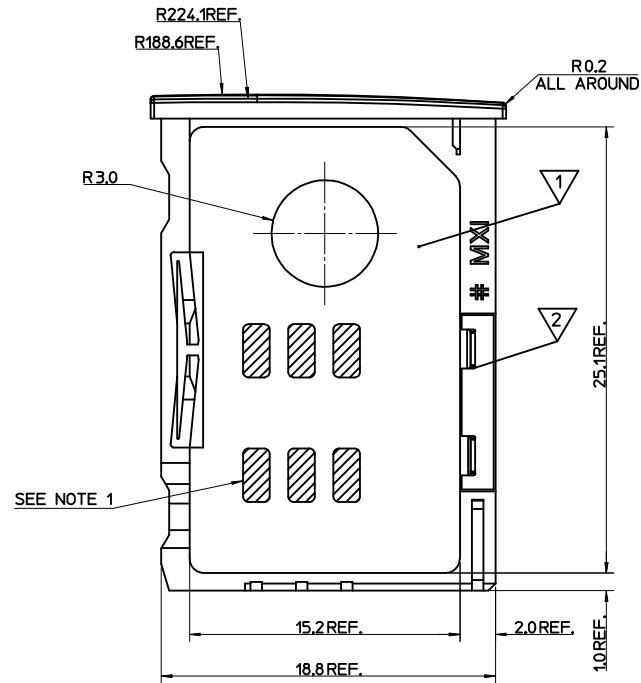
SCALE	DESIGN UNITS
5:1	METRIC
DIMENSION STYLE	
MM ONLY	
DRAWN BY	DATE
MINDORAK	00/05/31
CHECKED BY	DATE
DHANNON	00/07/13
APPROVED BY	DATE
MWILHITE	00/07/13

THIRD ANGLE PROJECTION	REVISE ON CAD ONLY
TITLE	
CARD HOLDER	
MATERIAL NO.	
912360008	
DOCUMENT NO.	SHEET NO.
SDA-91236	5 OF 6
THIS DRAWING CONTAINS INFORMATION THAT IS PROPRIETARY TO MOLEX INCORPORATED AND SHOULD NOT BE USED WITHOUT WRITTEN PERMISSION	

DIMENSION OF SECT A-A IS
TAKEN FROM THE INTERSECTION
OF THESE CENTRELINES



ITEM	COMPONENT	QTY	MATERIAL
1	HOUSING	1	POLYESTER (PBT), 30% GLASS FILL, UL-94 V-0 COLOUR BLACK
2	TERMINAL	1	0,15 PHOSPHER BRONZE Au IN CONTACT AREA



NOTES:

- POLISHED SURFACE FINISH IN SHADED AREA.
- PACKAGING: LOOSE IN BAG.
- FOR ALL UNSPECIFIED DIMENSIONS AND NOTES SEE SHEET 1.
- MOLDTECH 11010 SURFACE FINISH.

SEE SHEET 1	EC NO: DRWIN;FUGGAN 2001/12/11 CHKD: APPR:	QUALITY SYMBOLS	GENERAL TOLERANCES (UNLESS SPECIFIED)	SCALE 5:1	DESIGN UNITS METRIC	THIRD ANGLE PROJECTION	REVISE ON CAD ONLY																
		▽ - 0 ◻ - 0	<table border="1"> <thead> <tr> <th></th> <th>mm</th> <th>INCH</th> </tr> </thead> <tbody> <tr> <td>4 PLACES</td> <td>± ---</td> <td>± ---</td> </tr> <tr> <td>3 PLACES</td> <td>± ---</td> <td>± ---</td> </tr> <tr> <td>2 PLACES</td> <td>± 0.05</td> <td>± ---</td> </tr> <tr> <td>1 PLACE</td> <td>± 0.10</td> <td>± ---</td> </tr> </tbody> </table>		mm	INCH	4 PLACES	± ---	± ---	3 PLACES	± ---	± ---	2 PLACES	± 0.05	± ---	1 PLACE	± 0.10	± ---	DIMENSION STYLE MM ONLY	TITLE CARD HOLDER			
			mm	INCH																			
		4 PLACES	± ---	± ---																			
3 PLACES	± ---	± ---																					
2 PLACES	± 0.05	± ---																					
1 PLACE	± 0.10	± ---																					
DRAFT WHERE APPLICABLE		DRAWN BY MINDORAK CHECKED BY DHANNON APPROVED BY MWILHITE	DATE 00/05/31 DATE 00/07/13 DATE 00/07/13	MATERIAL NO. 912360007		DOCUMENT NO. SDA-91236	SHEET NO. 6 OF 6																
MUST REMAIN WITHIN DIMENSIONS		THIS DRAWING CONTAINS INFORMATION THAT IS PROPRIETARY TO MOLEX INCORPORATED AND SHOULD NOT BE USED WITHOUT WRITTEN PERMISSION																					