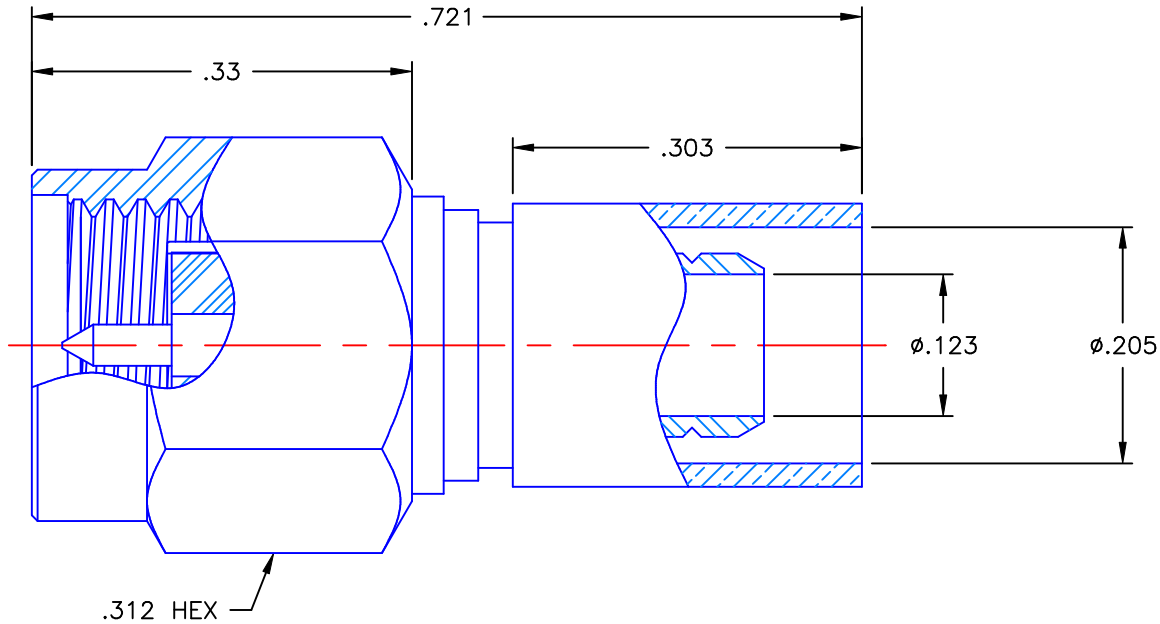


REVISIONS			
REV	DESCRIPTION	DATE	APPROVED
A	INITIAL RELEASE	04/14/10	A.D.M.




NOTES:

MATERIALS:

1. BODY & COUPLING NUT = STAINLESS STEEL PER ASTM A582, ALLOY 303, CONDITION "A".
2. INSULATOR = VIRGIN WHITE TEFLON PER ASTM D1710, GRADE 1, TYPE I, CLASS "B".
3. CONTACT & RETAINING RING = BERYLLIUM COPPER PER ASTM B196, ALLOY C17300, TEMPER TD04.
4. CRIMP SLEEVE = SEAMLESS LOWLEAD BRASS TUBE, ALLOY 330, SOFT ANNEAL TEMPER, .025/.060 GRAIN SIZE OR SEAMLESS COPPER TUBE PER ASTM B75, TYPE C12000, TEMPER: LIGHT ANNEAL O50 EXCEPT YIELD STRENGTH.
5. GASKET = SILICONE RUBBER PER ZZ-R-765, CLASS 2B, GRADE 65-75.
6. SHRINK SLEEVE = THERMOFIT SCL (NOT SHOWN).

FINISHES:

1. BODY = GOLD PLATE PER MIL-G-45204, TYPE II, CLASS 0, GRADE C, OVER .000050 TO .00010 STRESS FREE NICKEL PER QQ-N-290.
2. CONTACT = GOLD PLATE PER MIL-G-45204, TYPE II, CLASS 1, GRADE C, OVER .00010 TO .00020 STRESS FREE SULFAMATE NICKEL PER QQ-N-290.
3. CRIMP SLEEVE = GOLD PLATE PER MIL-G-45204, TYPE II, CLASS 0, GRADE C, OVER .00010 TO .00020 COPPER STRIKE PER MIL-C-14550.
4. COUPLING NUT = PASSIVATE PER QQ-P-35, TYPE VI.

UNLESS OTHERWISE SPECIFIED DIMENSIONS ARE IN INCHES TOLERANCES ON		DWN: A.D.M.	DATE: 04/14/10	 <p>Property of Radiall This document cannot be reproduced or communicated to a third party without prior written permission of RADIALL.</p>								
DECIMAL	ANGLE	CHKD: D.N.	DATE: 04/14/10									
		APVD: J.M.	DATE: 04/14/10									
REFERENCE:				<p>SMA STRAIGHT PLUG CRIMP TYPE FOR RG-58 &amp; SIMILAR CABLES</p>								
ORIGINATOR: A.D.M. DATE: 04/14/10		MATERIALS & FINISHES: SEE NOTES		<table border="1"> <tr> <td>SIZE A</td> <td>FSCM NO. 19505</td> <td>DWG. NO. 9001-1023-006</td> <td>REV A</td> </tr> <tr> <td colspan="2">SCALE 6:1</td> <td>THIRD ANGLE PROJECTION</td> <td>SHEET 1 OF 1</td> </tr> </table>	SIZE A	FSCM NO. 19505	DWG. NO. 9001-1023-006	REV A	SCALE 6:1		THIRD ANGLE PROJECTION	SHEET 1 OF 1
SIZE A	FSCM NO. 19505	DWG. NO. 9001-1023-006	REV A									
SCALE 6:1		THIRD ANGLE PROJECTION	SHEET 1 OF 1									

9001-1023-006