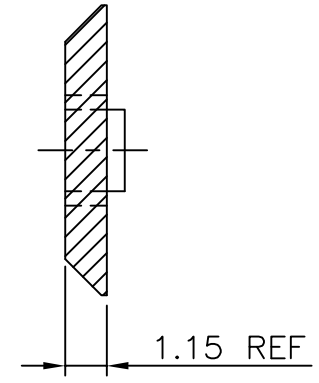
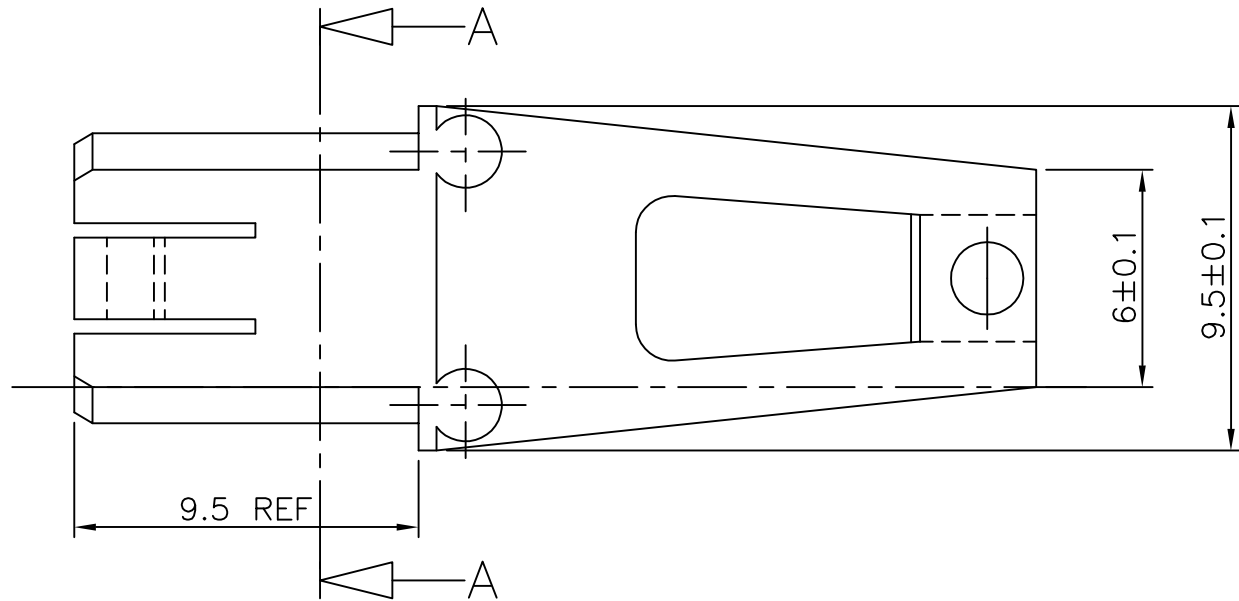
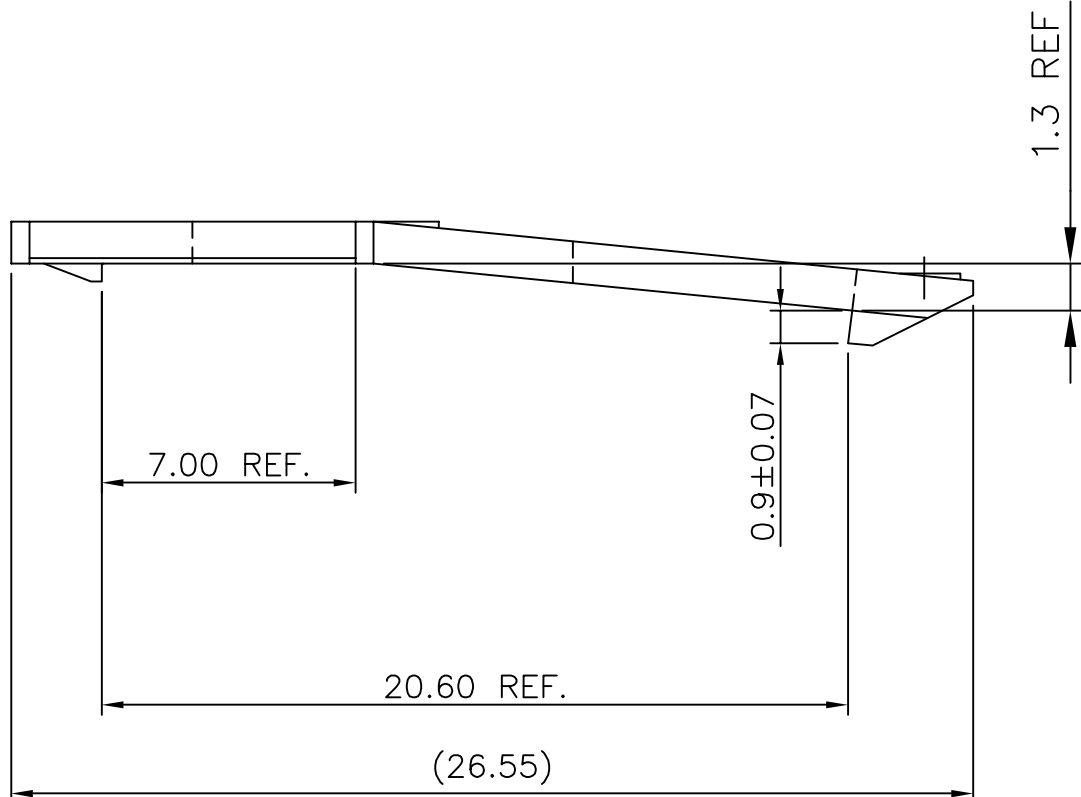


PRODUCT NUMBER	MATERIAL	COLOR	FLAME RETARDANT
65182-001	THERMOPLASTIC POLYESTER, 30% G.F.	GREY	UL-94-V0



SECTION A-A



NOTES:-

1. THIS PRODUCT MEETS EUROPEAN UNION DIRECTIVES AND OTHER COUNTRY REGULATIONS AS DESCRIBED IN GS-22-008.
2. LEADFREE OR RoHS DIRECTIVE LABELLING TO BE PROVIDED AS PER GS-14-920.
3. " LF " SUFFIX TO PRODUCT NUMBER FOR RoHS COMPATIBLE/ LEADFREE VERSION.
4. PARTS WITH AND WITHOUT "LF " SUFFIX ARE FORM-FIT AND FUNCTIONALLY IDENTICAL. " LF " SUFFIX PROVIDED FOR PART NUMBER STANDARDISATION OF PART THAT MEETS RoHS REQUIREMENTS.

mat'l. code		surface		tolerance		projection		product family	
see table		ISO 1302		ISO 406		ISO 1101		title	
ltr	ecn no	dr	date	tolerances unless otherwise specified		mm		LOCKING LATCH	
D	H00418	MVI	1990-09-07	angles	linear	scale -			
E	H20708	MVI	1992-11-03						
F	F10129	VIB	2001-02-05						
G	I05-0042	MINI	2005-03-17	dr	M.Visschers	1990-08-31		dwg no	
H	I05-0248	MINI	2005-11-22	engr				sheet 1 of 1	
J	I06-0086	MINI	2006-06-01	chr	Rakhee George	2006-06-01		65182	
sheet index		revision sheet		appd		Rakhee George		2006-06-01	
		J						CUSTOMER Drawing	
		1						A3	