

# SPECIFICATIONS

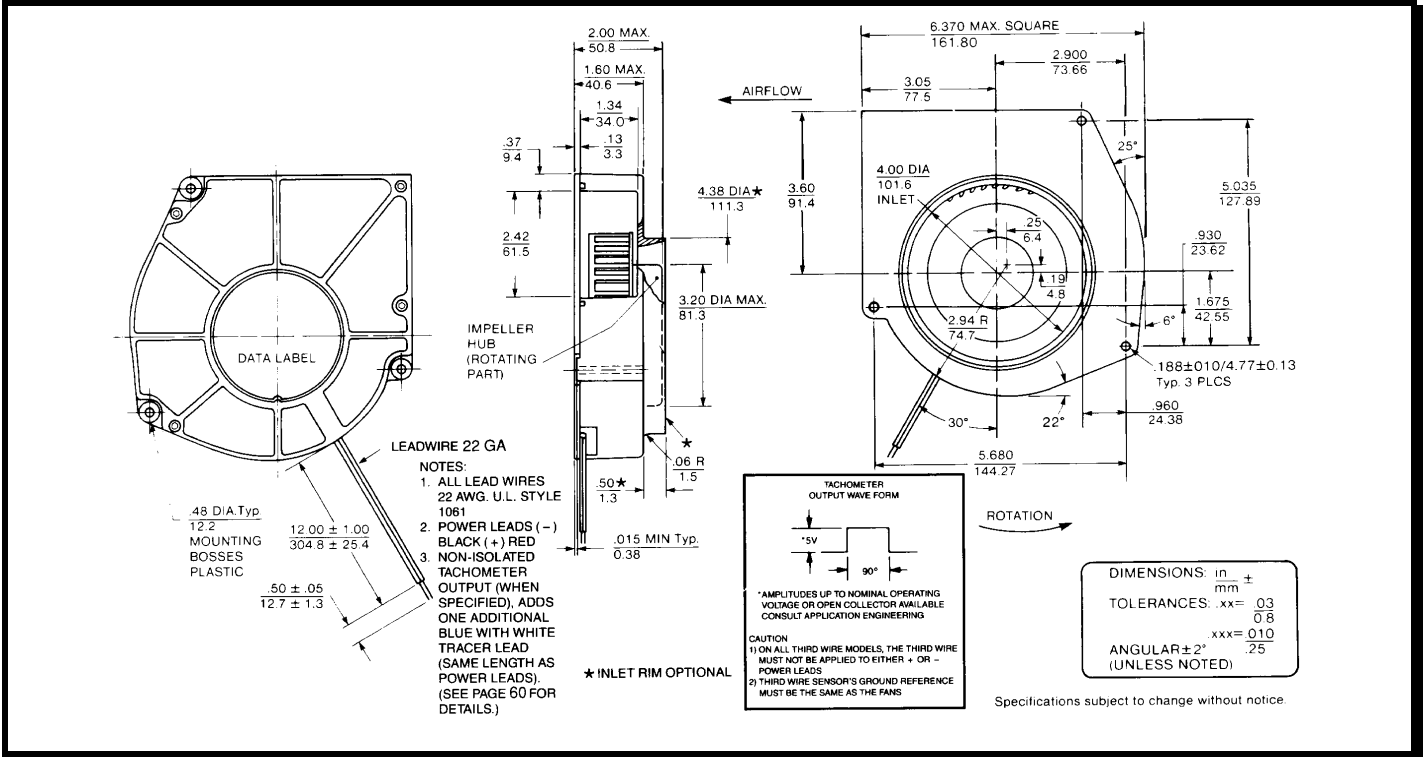


**Model Number:** SPD24B1QDN

**Part Number:** 19032364A SPEC Number: 26014020A

November.23.2011

## Mechanical Drawing:



### Specifications:

Nominal Voltage	= 24 vdc
Operating Voltage Range	= 12 - 28 vdc
Nominal Running Current	= 1.250 amps
Locked Rotor Current	= 2.000 amps
Running Power	= 30.0 watts
Average Speed	= 2500 rpm
Bearings	= Ball
Air Flow	= 60 CFM
Acoustic	= 57.0 dBA

### Construction:

Backplate: Die-Cast Zinc Alloy  
 Housing & Propeller: Plastic, Black, UL 94V-0

### Life Expectancy:

This fan is designed for continuous duty life of 62,000 hours at 50°C.

### Agency Approvals:

UL

### Features:

- Polarity Protected
- Brushless DC Motor Design
- Electronic Locked Rotor Protection
- Automatic Restart Capability
- Operating Temperature: -10°C to 70°C
- Storage Temperature: -40°C to 85°C

### Fan Performance Sensor:

Output:	Open Collector
Ic	20mA mzx
Vcc	28 vdc max
Logic:	High on pass/Low on fail
Delay:	10 sec +/- 4
Latching:	No

### Termination:

- 12" Lead wires, 22 AWG, UL 1061
- Fan power - Red
- Fan ground - Black
- FPS power - Red/White
- FPS ground - Black/White
- FPS signal - Blue/White