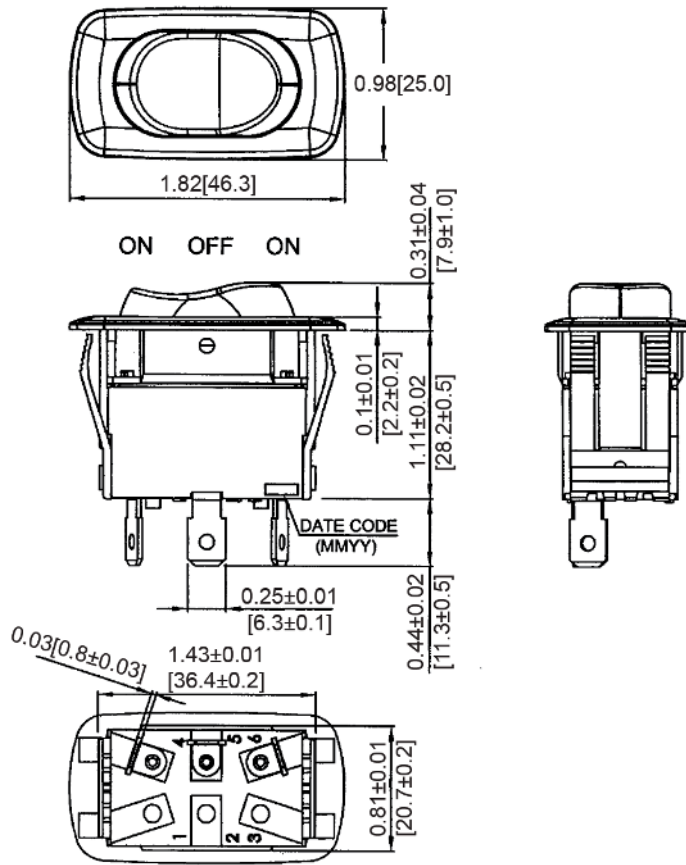
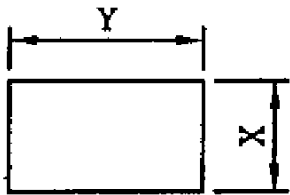


Mechanical Dimensions: Inches [mm]

Tolerances  $\pm 0.012$  [0.3] Unless Otherwise Specified



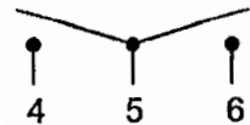
Mounting Hole



| Thickness             | X                     | Y                    |
|-----------------------|-----------------------|----------------------|
| 0.03~0.05 [0.75~1.25] | 0.83+0.004 [21.2+0.1] | 1.44+0.01 [36.6+0.2] |
| 0.05~0.08 [1.25~2.0]  | 0.83+0.004 [21.2+0.1] | 1.45+0.01 [36.8+0.2] |
| 0.08~0.12 [2.0~3.0]   | 0.83+0.004 [21.2+0.1] | 1.46+0.01 [37.0+0.2] |

Circuit Diagram

6P DPDT ON-OFF-ON



Electrical Specifications

|                       |                        |
|-----------------------|------------------------|
| Rating                | 21A 14V DC, 10A 28V DC |
| Contact Resistance    | 50m ohm Max            |
| Insulation Resistance | DC 500V 100M ohm Min   |
| Dielectric Strength   | AC 1500V 1minute       |
| Operation Temperature | -20°C~85°C             |

Material Specifications

|          |                  |
|----------|------------------|
| Frame    | Black, Nylon #66 |
| Actuator | Black, Nylon #66 |
|          | IP-56            |

| Rev | Date of issue | Revision Notes  | Designed | Approved |
|-----|---------------|-----------------|----------|----------|
| B   | 02-26-2020    | Initial Drawing | RC       | OF       |