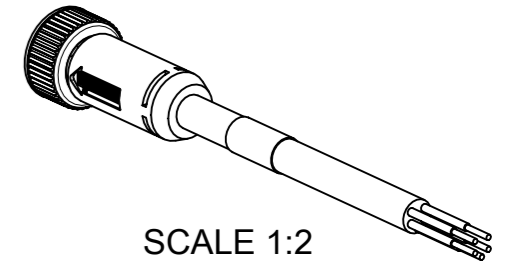
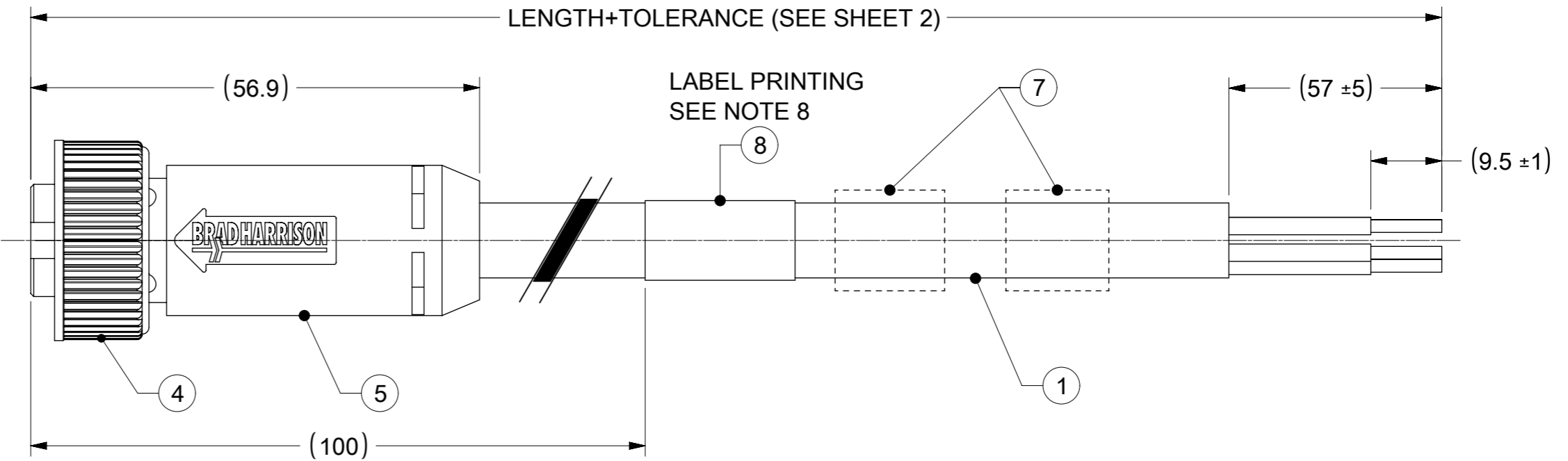
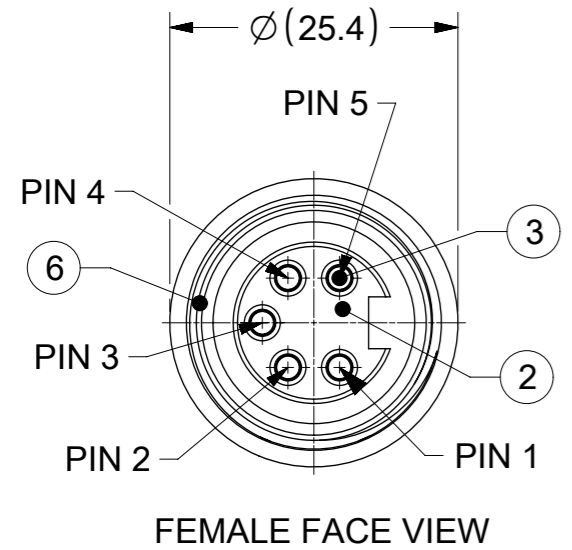


CABLE SPECIFICATION:

JACKET:
 COLOR: GRAY
 MATERIAL: TPU BASED COMPOUND
 DIAMETER: 8.50±0.30mm
 CONDUCTOR:
 INSULATION DIAMETER: 2.40mm
 INSULATION MATERIAL: TPE



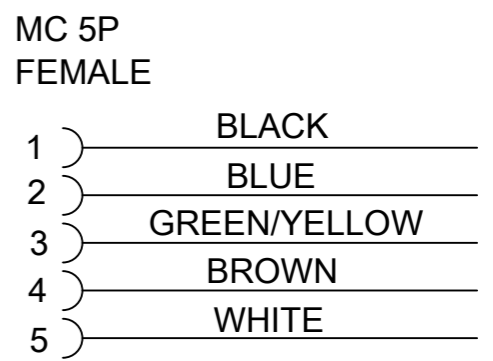
SCALE 1:2



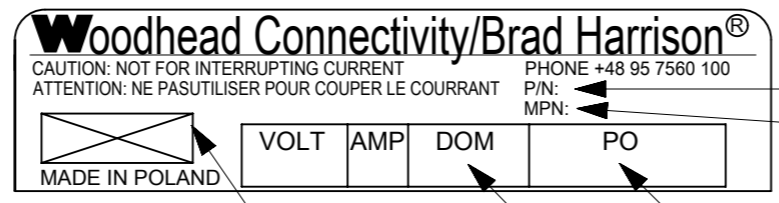
NOTES:

1. MATERIAL: AS NOTED
2. FINISH: AS NOTED
3. ELECTRICAL:
 VOLTAGE: 600 V
 CURRENT: 10 A
4. TEMP RATING:
 STATIC: -40 °C TO 90 °C
 DYNAMIC: -25 °C TO 80 °C
5. PROTECTION: IP67 (WHEN MATED)
6. UL CERTIFICATION: UL LISTED, FILE NO. E152210
7. PART LIST AND MATRIX - SEE SHEET 2
8. LABEL PRINTING ACC. STANDARD LABEL INSTRUCTION

WIRING DIAGRAM



LABEL PRINTING



ENGINEERING NO.
 MOLEX PN
 PO NO.
 PRODUCT. DATE

CERTIFICATION SYMBOLS

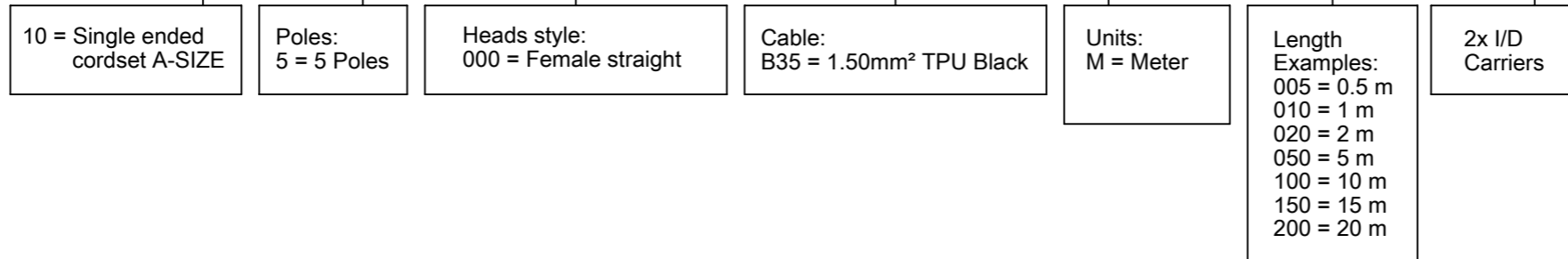
BILL OF MATERIAL

ITEM	DESCRIPTION	MATERIAL	FINISH/COLOR
1	#16-5 CABLE, WELD AND SLAG RESISTANT	TPU	GRAY
2	FEMALE INSERT	TPE	BLACK
3	SOCKET CONTACT	Cu ALLOY	GOLD OVER NICKEL
4	COUPLING NUT	ZINC DIE-CAST	BLACK E-COAT
5	OVERMOLD	TPE	BLACK
6	FRICTION RING	NYLON	WHITE
7	I/D CARRIER	PVC	TRASPARENT
8	WRAP LABEL	VINYL	YELLOW

FUNCTIONAL SYMBOLS $\nabla_A = 0$ $\nabla_E = 0$ $\nabla_F = 0$	THIS DRAWING CONTAINS INFORMATION THAT IS PROPRIETARY TO MOLEX ELECTRONIC TECHNOLOGIES, LLC AND SHOULD NOT BE USED WITHOUT WRITTEN PERMISSION	SCALE 1:1		CURRENT REV DESC: NOTES UPDATED, LABEL PRINTING ADDED				
	DIMENSION UNITS mm	GENERAL TOLERANCES (UNLESS SPECIFIED)		EC NO: 747270				CSE MC 5P A-SIZE FE STR WSOR XM SE ID
	DIVISIONAL SYMBOLS 4 PLACES ± 3 PLACES ± 2 PLACES ± 0.05 1 PLACE ± 0.3 0 PLACES ± 0.5	ANGULAR TOL ± 1.0 °	DRWN: RSCHIEBER 2023/04/18		2023/04/27		PRODUCT CUSTOMER DRAWING	
		INITIAL REVISION:		DRWN: AKABADI 2022/07/26		2023/01/30		DOCUMENT NUMBER 1300068203
DRAFT WHERE APPLICABLE MUST REMAIN WITHIN DIMENSIONS		THIRD ANGLE PROJECTION	DRAWING A3-SIZE	SERIES 130006	MATERIAL NUMBER SEE SHEET2	CUSTOMER GENERAL MARKET	DOC TYPE PSD	

PART NUMBER MATIX

1 0 5 0 0 0 B 3 5 M X X X H



PART LIST

MOLEX PN	ENGINEERING NO.	L + Tol. [MM]
1300068203	105000B35M010H	1000 +56
1300068204	105000B35M020H	2000 +89
1300068205	105000B35M050H	5000 +165
1300068206	105000B35M100H	10000 +317
1300068207	105000B35M200H	20000 + 610
1300068208	105000B35M300H	30000 +610
1300068209	105000B35M350H	35000 +700

FUNCTIONAL SYMBOLS	THIS DRAWING CONTAINS INFORMATION THAT IS PROPRIETARY TO MOLEX ELECTRONIC TECHNOLOGIES, LLC AND SHOULD NOT BE USED WITHOUT WRITTEN PERMISSION		
▽ _A = 0	DIMENSION UNITS	SCALE	CURRENT REV DESC: NOTES UPDATED, LABEL PRINTING ADDED
	mm	1:1	
▽ _E = 0	GENERAL TOLERANCES (UNLESS SPECIFIED)		
▽ _P = 0	ANGULAR TOL ± 1.0 °		
DIVISIONAL SYMBOLS	4 PLACES	±	EC NO: 747270 DRWN: RSCHIEBER 2023/04/18 CHK'D: RSILLER 2023/04/27 APPR: RSILLER 2023/04/27
	3 PLACES	±	
	2 PLACES	± 0.05	
	1 PLACE	± 0.3	
	0 PLACES	± 0.5	
	DRAFT WHERE APPLICABLE MUST REMAIN WITHIN DIMENSIONS		INITIAL REVISION: DRWN: AKABADI 2022/07/26 APPR: RSILLER 2023/01/30
THIRD ANGLE PROJECTION		DRAWING	SERIES
			MATERIAL NUMBER
		A3-SIZE	CUSTOMER
		130006	DOCUMENT NUMBER
		SEE SHEET2	DOC TYPE
		GENERAL MARKET	DOC PART
		2 OF 2	REVISION
		2 OF 2	

molex

CSE MC 5P A-SIZE FE STR WSOR XM SE ID

PRODUCT CUSTOMER DRAWING

1300068203

PSD 000 A1