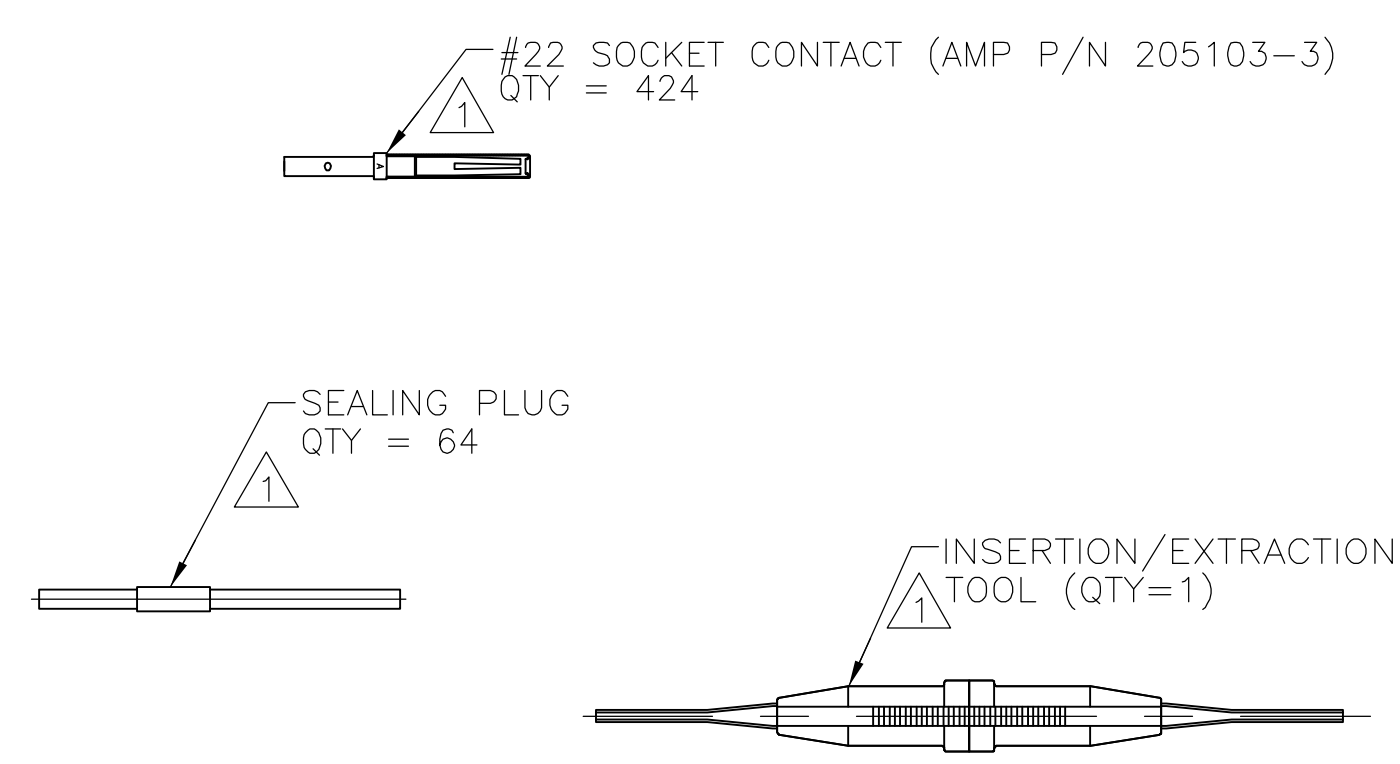


⚠ THESE ITEMS ARE PACKAGED SEPARATELY AND SHIPPED WITH CONNECTOR.



| | |
|--------------|-------------|
| 10 CSK HOLES | 1218502-2 |
| 4 CSK HOLES | 1218502-1 |
| REMARKS | PART NUMBER |

| | | | | |
|--|------------|------------------------------|--|--------------------|
| THIS DRAWING IS A CONTROLLED DOCUMENT. | | DIN C.C.THOMAS 7-21-99 | Tyco Electronics Corporation Harrisburg, PA 17105-3608 | |
| DIMENSIONS: INCHES | | CHK B.GROSS 7-21-99 | NAME RECEPTACLE ASSY, ARINC 404 MME4R106S106S106S106S-0300 (200) | |
| TOLERANCES UNLESS OTHERWISE SPECIFIED: | | APVD B.GROSS 7-21-99 | RESTRICTED TO | |
| 0 PLC ± - | 1 PLC ± - | PRODUCT SPEC | SIZE A1 | CAGE CODE 00779 |
| 2 PLC ± - | 3 PLC ± - | APPLICATION SPEC | DRAWING NO 1218502 | REV - |
| 4 PLC ± - | ANGLES ± - | WEIGHT | CUSTOMER DRAWING | SCALE 2:1 |
| MATERIAL SEE CALLOUTS | | FINISH SEE CALLOUTS | SHEET 1 OF 1 | |