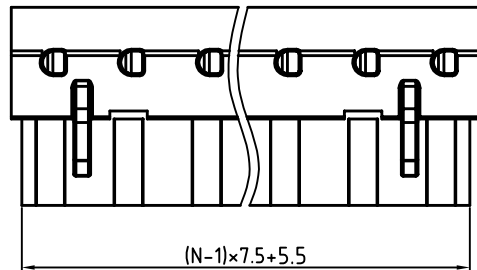
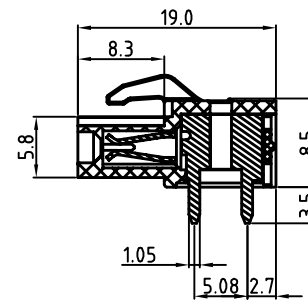
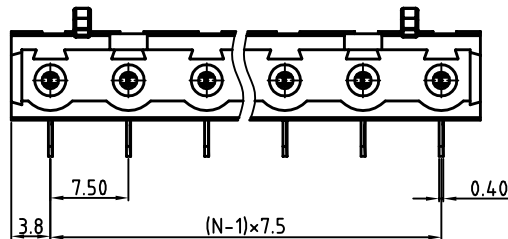


SIGN	DATE	DESCRIPTION	APPROVER
		THIS IS CAD DRAWING, DO NOT REVISE MANUALLY!!!	



N=Number of poles



Material

- Wire guard: PhBz(CuSn)
- Surface of solder tail: Tin plated
- Insulator (housing): Thermoplastic (UL94V-0) Electrical
- Voltage rating: 300VAC
- Current rating: 10A
- Withstanding Voltage: 1.6kv
- Operating temperature: -30°C to +105°C
- Soldering temperature: 250°C±10°C/5 Sec

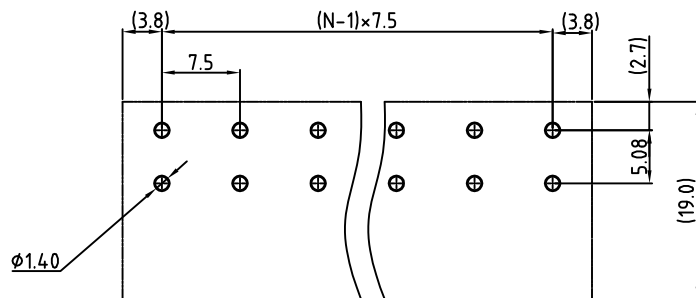
RoHS Compliant

PART NUMBER:

OSTV7XXA151

↓	↓
No. of Poles	COLOR
02 2 Pole	0: Black
03 3 Pole	5: Green (Standard)
... ..	6: Blue
16 16 Pole	8: Light Grey

P.C.B LAYOUT



THESE DRAWINGS AND SPECIFICATIONS ARE THE PROPERTY OF ON-SHORE TECHNOLOGY, INC. AND SHALL NOT BE REPRODUCED, COPIED OR USED IN ANY MANNER WITHOUT THE PRIOR WRITTEN CONSENT OF ON-SHORE TECHNOLOGY, INC.



TITLE		OSTV7 7.5mm Series 90° Right angle 2p-16p			
PART NO.		OSTV7XXA151		DWG NO. OSTV7XXA151.DWG	
APPROVED	CHECKED	DESIGNED	DRAWN	CUST NO.	
Shi Jun 2006.11.11	Shi Jun 2006.11.11	Tason 2006.08.04	Tason 2006.08.04		
					UNIT: mm
					SCALE: 0.2500
				SHEET: 01/01	REV.: B
					Tolerance
					X. ±0.5
					X.X ±0.3
					X.XX ±0.1
					X° ±1°