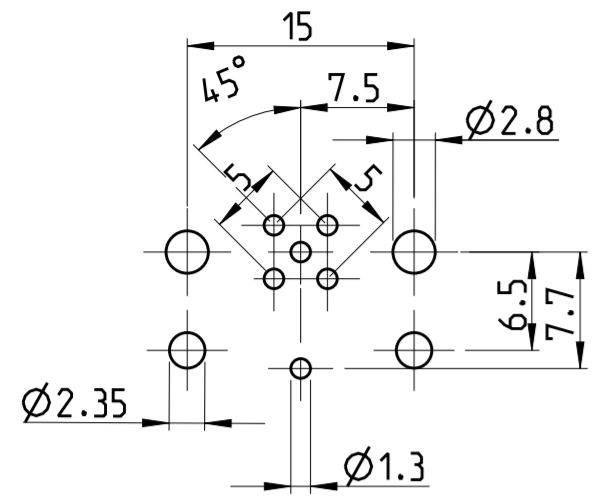


THIS DRAWING IS UNPUBLISHED. VERTRÄULICHE UNVERÖFFENTLICHTE ZEICHNUNG. RELEASED FOR PUBLICATION FREI FÜR VERÖFFENTLICHUNG. 2014. MATED WITH: PASSEND ZU: (C) COPYRIGHT 2014 Tyco Electronics AMP GmbH. ALL RIGHTS RESERVED. ALLE RECHTE VORBEHALTEN.

PROJEKT NR.: PRJ-11-000004377

REVISIONS		DATE	DWN	APVD
ÄNDERUNGEN				
DESCRIPTION				
BESCHREIBUNG				
P	LTR			
	A	28NOV2014	CR	JK

CONDUCTOR LAYOUT



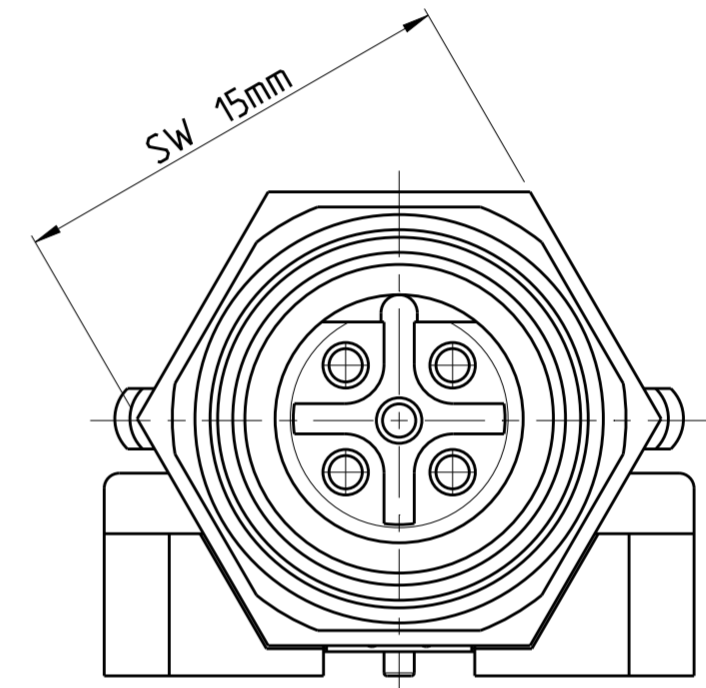
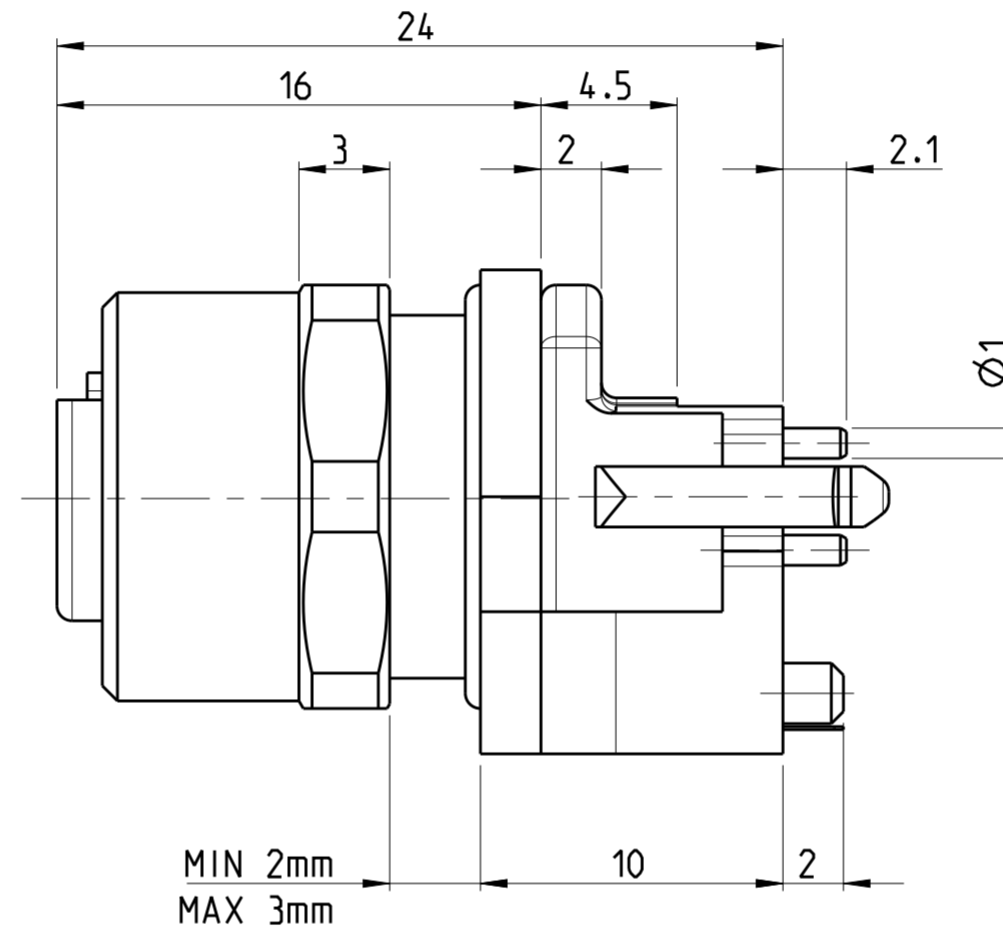
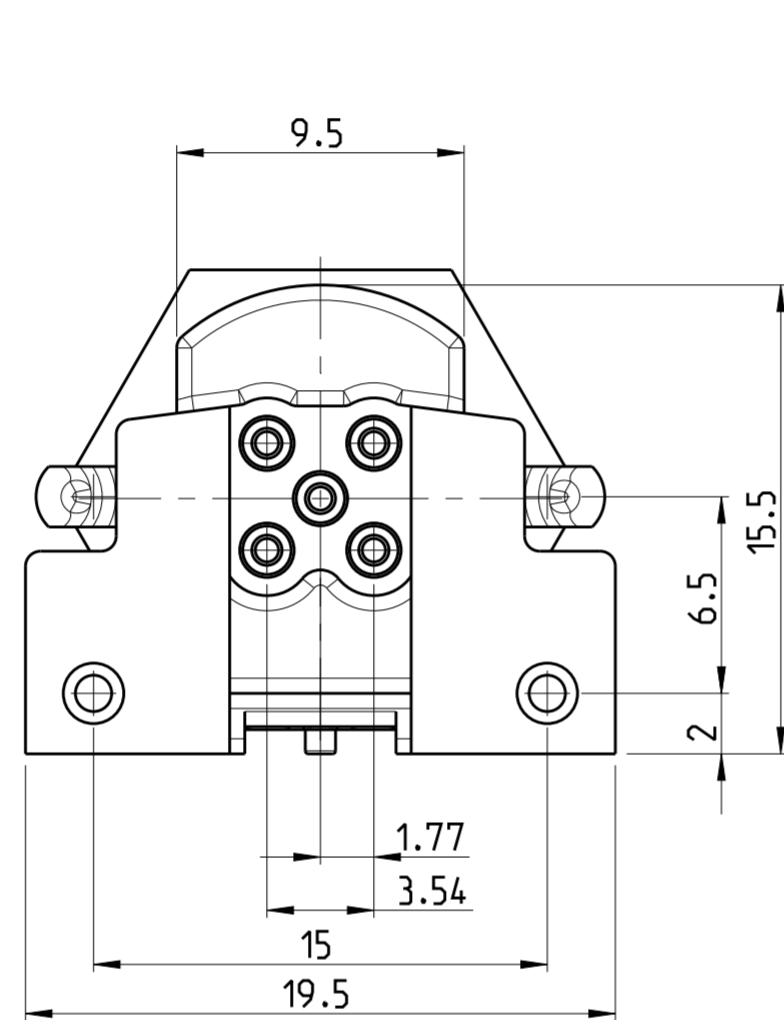
- ⚠ MATERIAL:
- ITEM NO. 1: HOUSING - CuZn (BRASS NICKEL PLATED)
  - ITEM NO. 2: CONTACT BODY - PA
  - ITEM NO. 3: CONTACT - CuSn (BRONZE)
  - CONTACT FINISH - Au (GOLD)

2 ALL DIMENSIONS ARE FOR NOMINAL REFERENCE ONLY UNLESS OTHERWISE STATED

TECHNICAL DATA

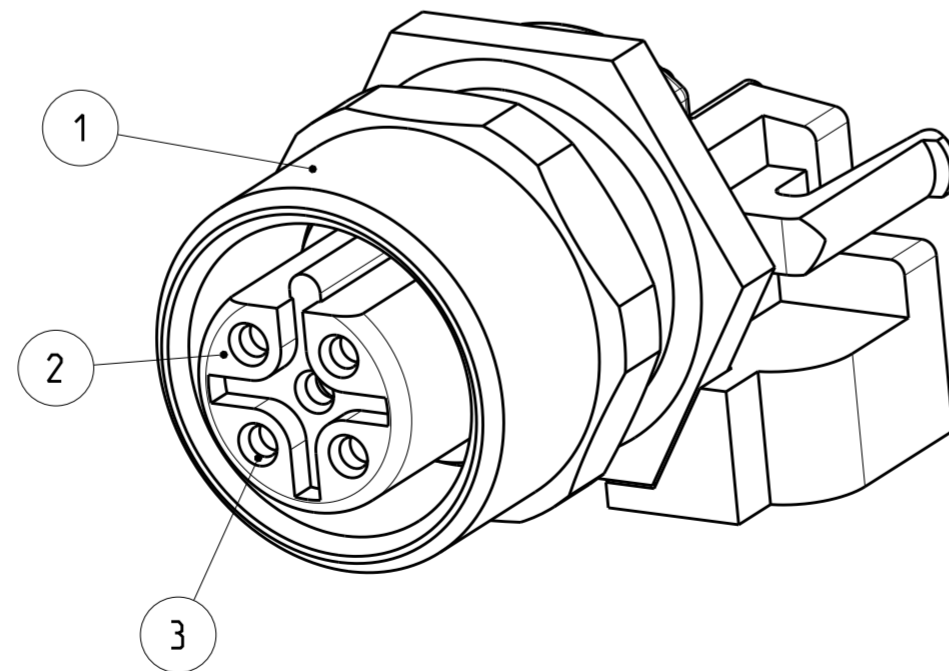
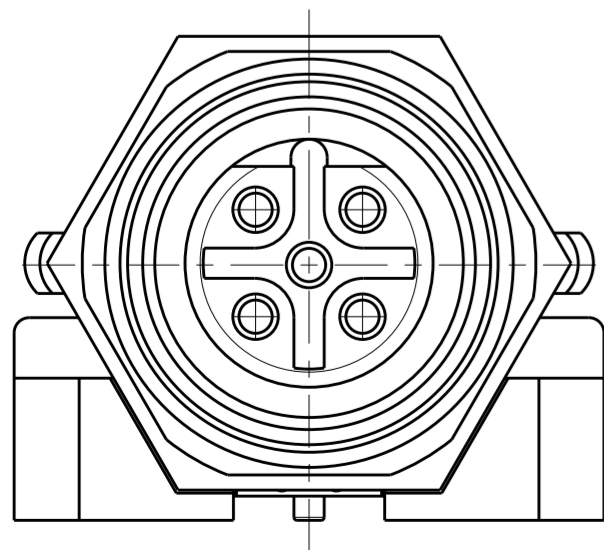
4-2172074-2

RATED VOLTAGE	125V
RATED IMPULSE VOLTAGE	1500V
POLLUTION DEGREE	3
OVERVOLTAGE CATEGORY	II
MATERIAL GROUP	II
RATED CURRENT	4A
VOLUME RESISTIVITY	≤ 3mΩ
DEGREE OF PROTECTION	IP68
UPPER TEMPERATURE	+85 °C
LOWER TEMPERATURE	+40 °C



PIN ARRANGEMENT B-CODING

4-2172074-2



SIZE ISO 14405 (E)

DIESE ZEICHNUNG IST EIN KONTROLLIERTES DOKUMENT. BEMASSUNGEN UND TOLERANZEN GEMAESS GPS (ISO STANDARDS).

THIS DRAWING IS A CONTROLLED DOCUMENT. DIMENSIONING AND TOLERANCING PER GPS (ISO STANDARDS).

DIMENSIONS: MASSE/WEITEN: (MM)	TOLERANCES UNLESS OTHERWISE SPECIFIED: ALLGEMEINTOLERANZEN
0 PLC	±
1 PLC	±
2 PLC	±
3 PLC	±
4 PLC	±
ANGLES/WINKEL	±
FINISH/OBERFLÄCHE/FARBE	-

MATERIAL: -

DWN	YASHKUMAR	25 JUL 2014
CHK	M. BRUBAKER	25 JUL 2014
APVD	M. BRUBAKER	25 JUL 2014
PRODUCT SPEC	108-19483	
APPLICATION SPEC	114-32127	
WEIGHT	-	
Customer Drawing		

⚠	5	4-2172074-2
MATERIAL	NUMBER OF POLES	TE-PART-NO.
<b>STE</b> TE Connectivity		
NAME: M12 RECEPTACLE CONNECTOR, PCB ASSEMBLY, STRAIGHT, SHIELDED B CODING		
SIZE	CAGE CODE	DRAWING NO. ZEICHNUNGS-NR.
A2	00779	C-2172074
RESTRICTED TO NUR FÜR		
SCALE MASSSTAB	SHEET BLATT	OF VON
2:1	1	1
REV		A