

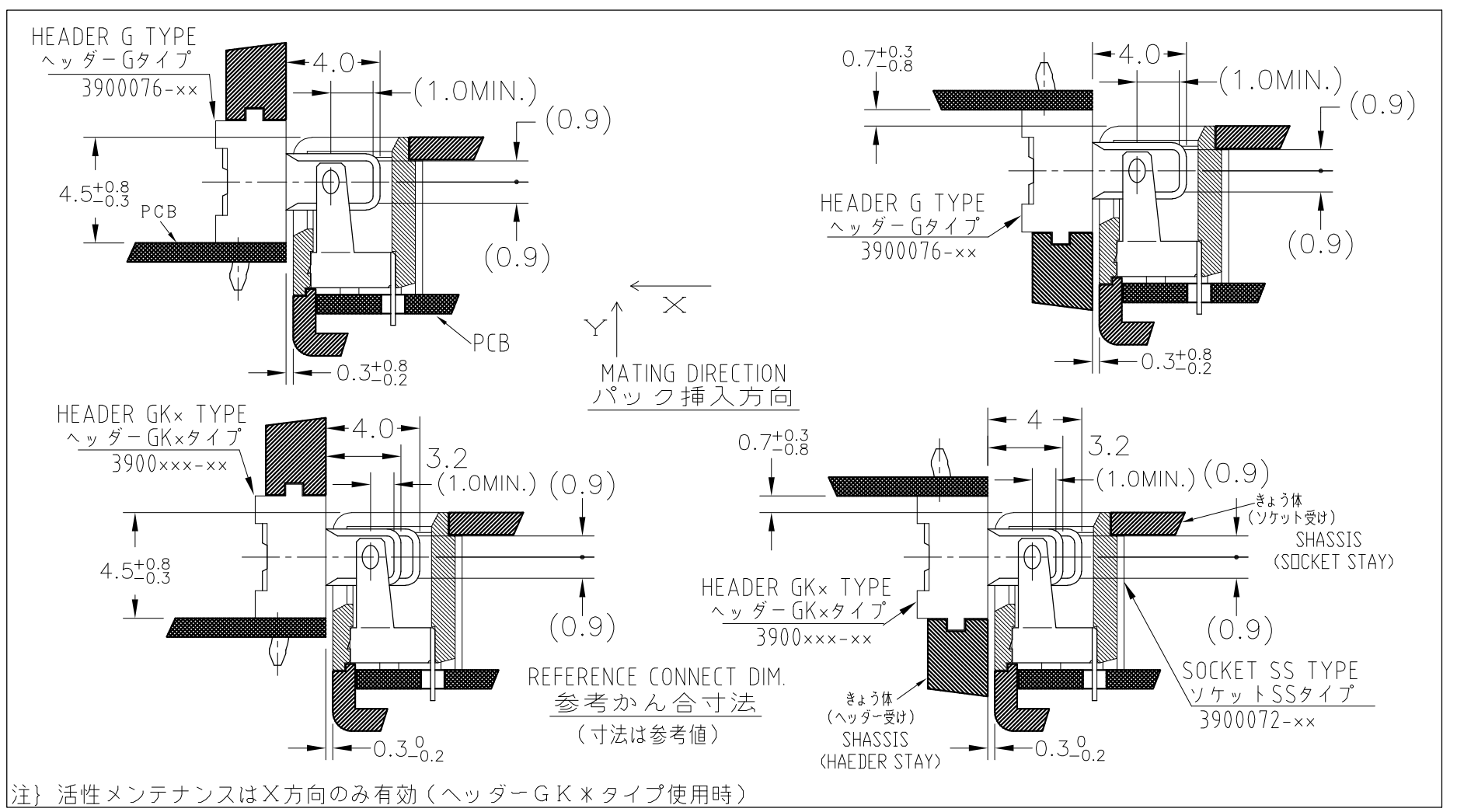
THIS DRAWING IS UNPUBLISHED. RELEASED FOR PUBLICATION 2003
 © COPYRIGHT 2003 BY TYCO ELECTRONICS CORPORATION. ALL RIGHTS RESERVED.

LOC	DIST	REVISIONS					
J	—	P	LTR	DESCRIPTION	DATE	DWN	APVD
		B1		REVISED PER ECO-10-000444	19JAN10	KK	HMR

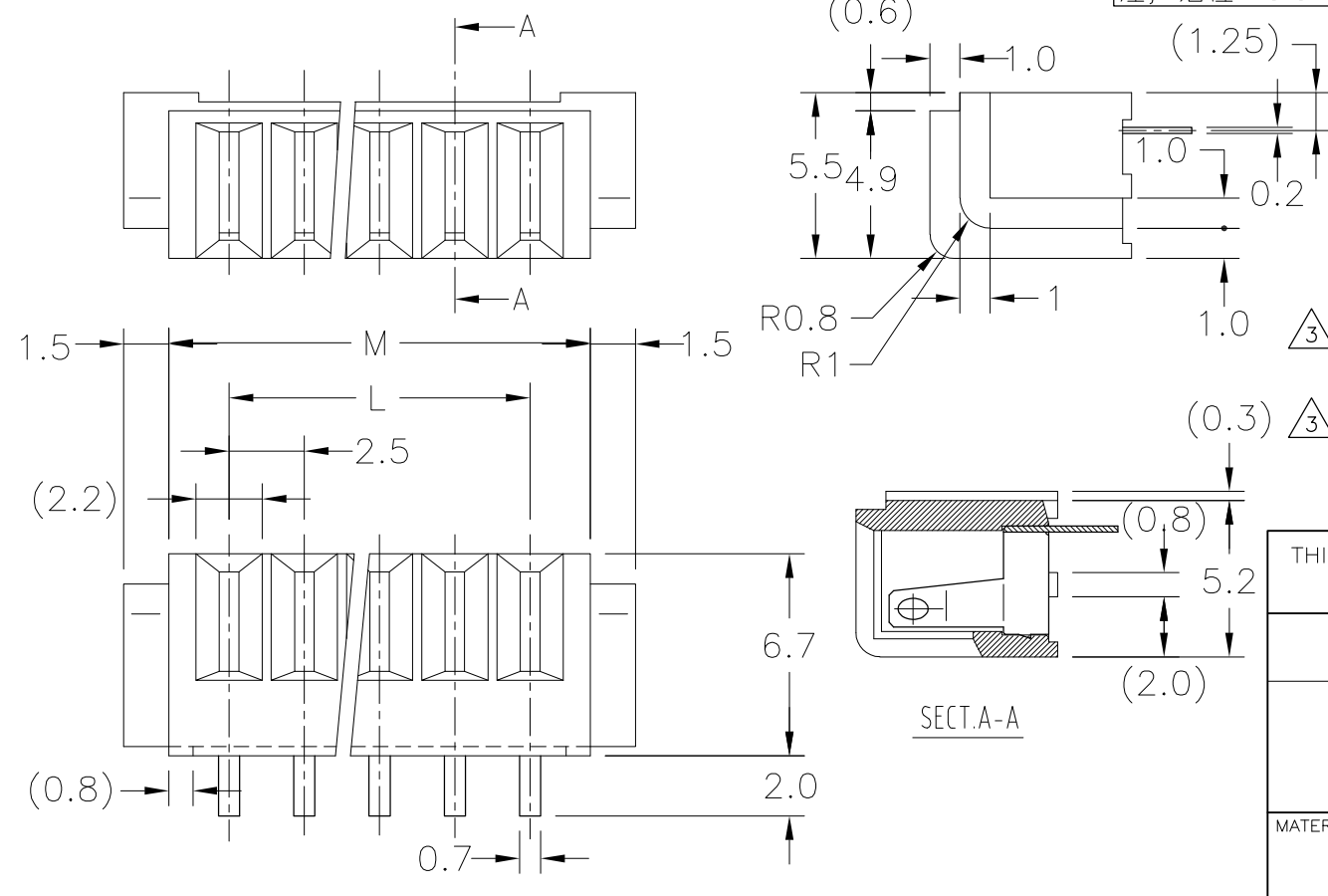
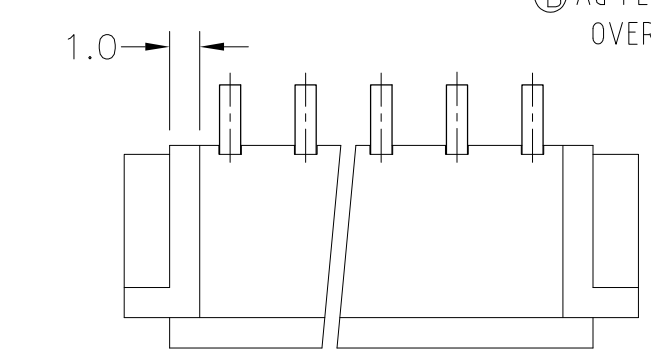
注記
 1. 一般公差±0.3

△ 材質
 ハウジング：熱可塑性樹脂，黒色
 コンタクト：銅合金
 全面：ニッケル下地めっき
 接触部：金めっき 0.1μmMIN.
 ②半田付け部：金フラッシュメッキ

NOTE.
 1. GENERAL TOLERANCE :±0.3
 2. MATERIALS
 HOUSING : THERMOPLASTIC, BLACK
 CONTACT : COPPER ALLOY
 0.1μmMIN. GOLD
 OVER NICKEL PLATE (CONTACT AREA)
 ② Au FLASH PLATING
 OVER NICKEL PLATE (TAIL AREA)



C3900087



△ OBSOLETE PARTS: OBSOLETE CIS STREAMLINING PER D.RENAUD/D.SINISI

6-1447143-0	3900072-06	6	12.5	16.5	
4-1447141-2	3900072-05	5	10.0	14.0	
1-1437118-0	3900072-04	4	7.5	11.5	
5-1447143-9	3900072-03	3	5.0	9.0	
Part No. 型番	Old Part No. 旧型番	NO. OF POS. 極数	L 寸法	M SIZE	REMARK 備考

THIS DRAWING IS A CONTROLLED DOCUMENT.

DWN	H.TAKASU	08JAN04
CHK	T.KIMURA	08JAN04
APVD	K.IKEGAMI	08JAN04

AMP Tyco Electronics AMP K.K. Kawasaki, Japan

PRODUCT SPEC 108-78126

APPLICATION SPEC

NAME BU CONNECTOR FS3 SOCKET SS TYPE

SIZE	CAGE CODE	DRAWING NO	RESTRICTED TO
A3	00779	C-5-1447143-9	—

CUSTOMER DRAWING SCALE NON SHEET 1 OF 1 REV B1