



Series 223C

4.5x4.5mm Compact Tactile Switch

- Surface mount gull-wing terminal configurations
- Compatible with IR reflow and manual soldering
- Variety of actuator height options



Ordering Information

Series	Terminal Type	Actuating Direction	Actuator Height "L"	Actuator Force	Packaging																								
223C	M	V	A	A	R																								
	<table border="1"> <thead> <tr> <th>Code</th> <th>Spec.</th> </tr> </thead> <tbody> <tr> <td>M</td> <td>Surface mount gull wing</td> </tr> </tbody> </table>	Code	Spec.	M	Surface mount gull wing	<table border="1"> <thead> <tr> <th>Code</th> <th>Spec.</th> </tr> </thead> <tbody> <tr> <td>V</td> <td>Vertical</td> </tr> </tbody> </table>	Code	Spec.	V	Vertical	<table border="1"> <thead> <tr> <th>Code</th> <th>Spec.</th> </tr> </thead> <tbody> <tr> <td>A</td> <td>3.8mm, black</td> </tr> <tr> <td>B</td> <td>7.0mm, black</td> </tr> <tr> <td>C</td> <td>4.8mm, white</td> </tr> </tbody> </table>	Code	Spec.	A	3.8mm, black	B	7.0mm, black	C	4.8mm, white	<table border="1"> <thead> <tr> <th>Code</th> <th>Spec.</th> </tr> </thead> <tbody> <tr> <td>A</td> <td>160 gf</td> </tr> </tbody> </table>	Code	Spec.	A	160 gf	<table border="1"> <thead> <tr> <th>Code</th> <th>Spec.</th> </tr> </thead> <tbody> <tr> <td>R</td> <td>Tape & reel packaging</td> </tr> </tbody> </table>	Code	Spec.	R	Tape & reel packaging
Code	Spec.																												
M	Surface mount gull wing																												
Code	Spec.																												
V	Vertical																												
Code	Spec.																												
A	3.8mm, black																												
B	7.0mm, black																												
C	4.8mm, white																												
Code	Spec.																												
A	160 gf																												
Code	Spec.																												
R	Tape & reel packaging																												

Notes: Contact CTS for other common features not listed.

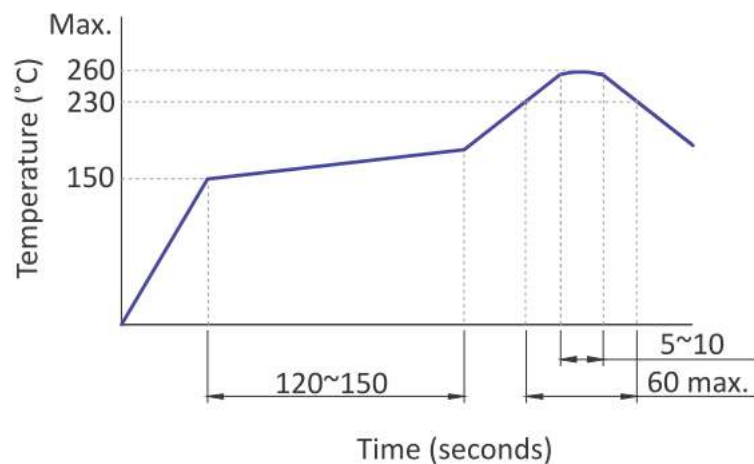
Electrical Specifications

Parameter	Conditions & Remarks	Min	Max	Unit
Contact Resistance			100	milliohms
Insulation Resistance	Between insulated terminals	100		Megohms
Dielectric Strength	1 minute between adjacent switches		100	VAC
Nonswitching Rating			50 or 12	mA or VDC

Mechanical and Environmental

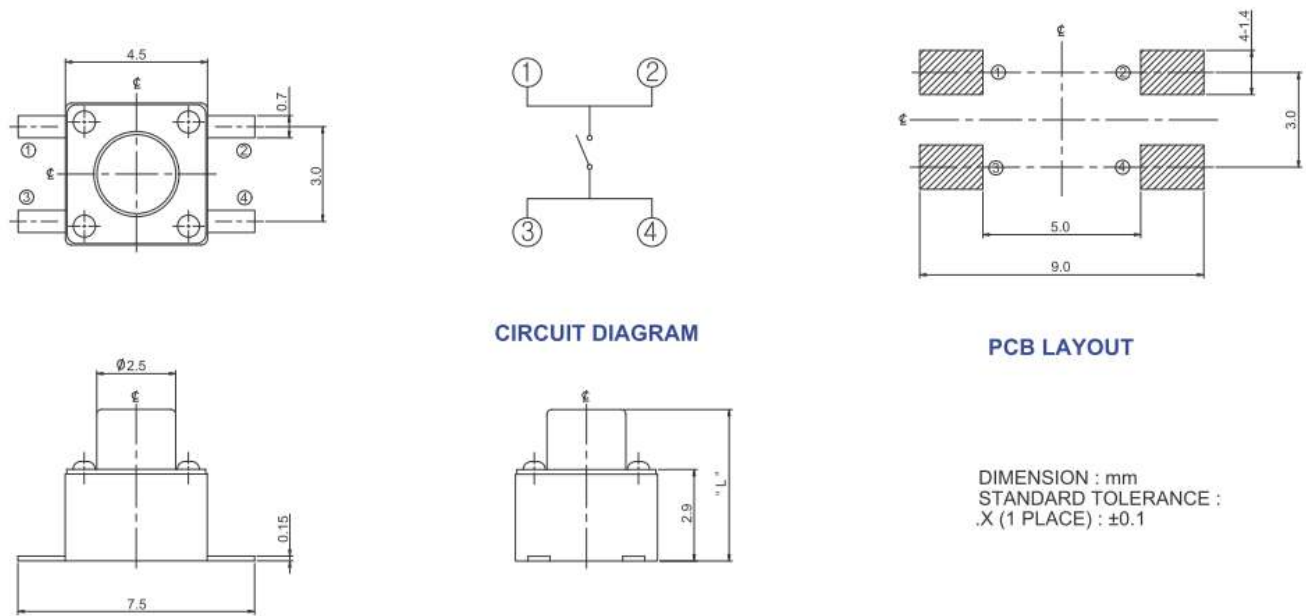
Soldering	Maximum reflow temperature, 260°C for 5 seconds Maximum manual temperature, 350°C for 3 seconds
RoHS	Lead-Free. Fully compliant to RoHS Directive 2011/65/EU
Operating Force	160±50 gf
Actuation Life	1,000,000 cycles
Actuator Strength	3 Kgf maximum
Travel	0.2±0.1 mm
Packaging	Standard tape and reel packaging
Operating Temperature Range	-40°C to +85°C
Storage Temperature Range	-40°C to +85°C

Soldering Profile



Mechanical Specifications

Figure 1 – 223CM..., Surface Mount Gull Wing

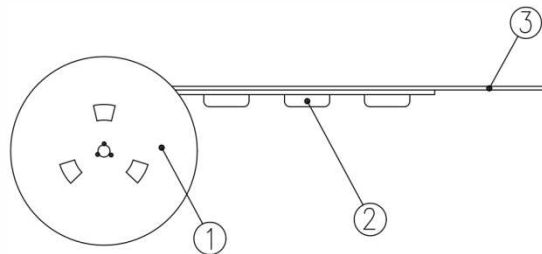


Packing: Tape and Reel

Surface Mount Gull Wing, 3.8/4.8mm Actuator Height

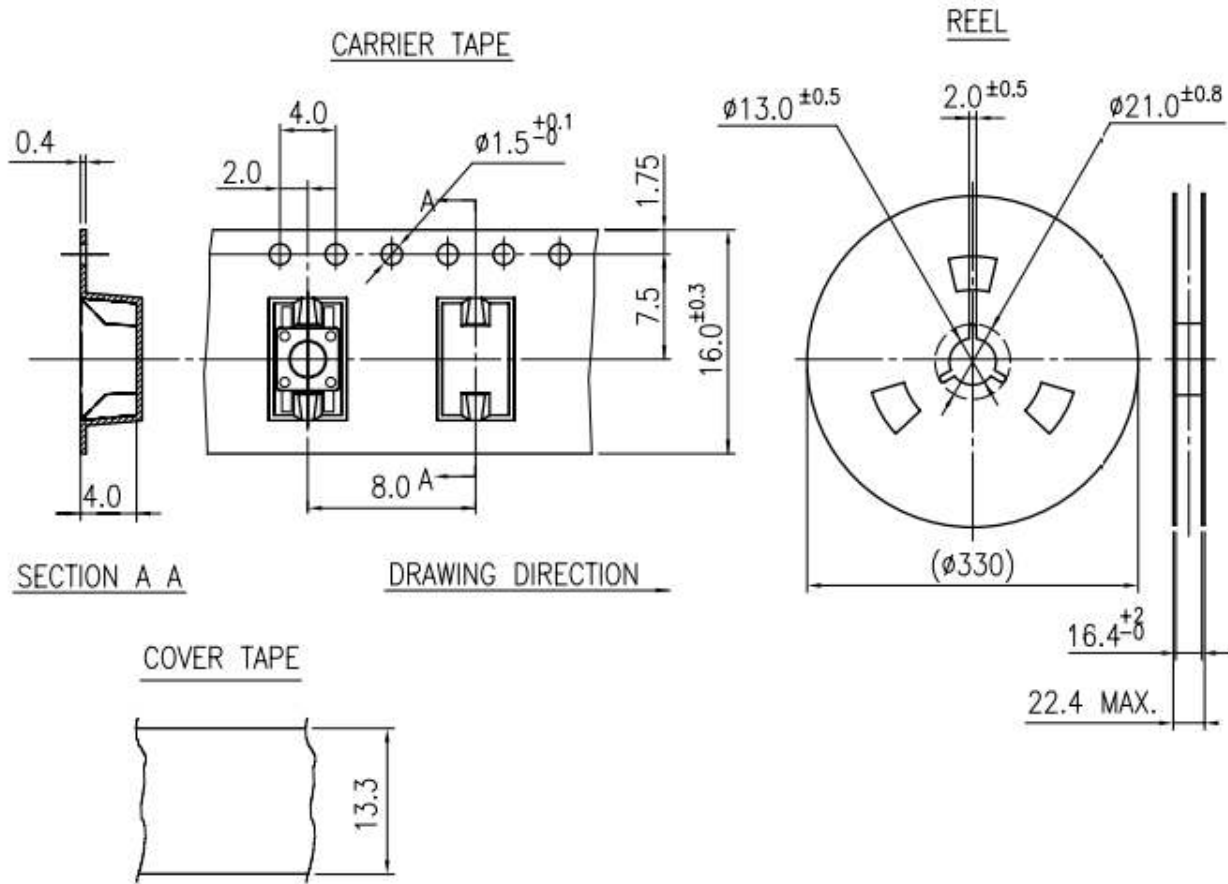
The packing specifications :

- Structure and materials :



③	COVER TAPE	POLYESTER
②	CARRIER TAPE	POLYSTYRENE
①	REEL	POLYSTYRENE
NO.	PARTS NAME	MATERIALS

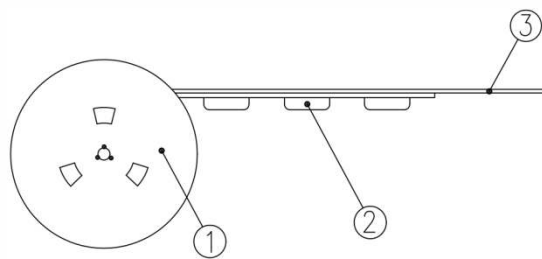
- Packing quantity : 1,800 pcs/reel
- More than 10 empty pockets should be remained at both ends of the carrier tape for each reel.
- Shortage less than 10 pcs a reel is acceptable but more than 3 running pockets shortage is not allowed.
- Stripping strength of cover tape is between 10 gf to 70 gf and stripping angle should be within 165°~180°.
- The product in the pocket of carrier tape should be placed in a specified correct position.
- Tape and reel per EIA-481
- Dimensions :



Surface Mount Gull Wing, 7.0mm Actuator Height

The packing specifications :

1. Structure and materials :



③	COVER TAPE	POLYESTER
②	CARRIER TAPE	POLYSTYRENE
①	REEL	POLYSTYRENE
NO.	PARTS NAME	MATERIALS

2. Packing quantity : 700 pcs/reel

3. More than 10 empty pockets should be remained at both ends of the carrier tape for each reel.

4. Shortage less than 10 pcs a reel is acceptable but more than 3 running pockets shortage is not allowed.

5. Stripping strength of cover tape is between 10 gf to 70 gf and stripping angle should be within 165°~180°.

6. The product in the pocket of carrier tape should be placed in a specified correct position.

7. Tape and reel per EIA-481

8. Dimensions :

