

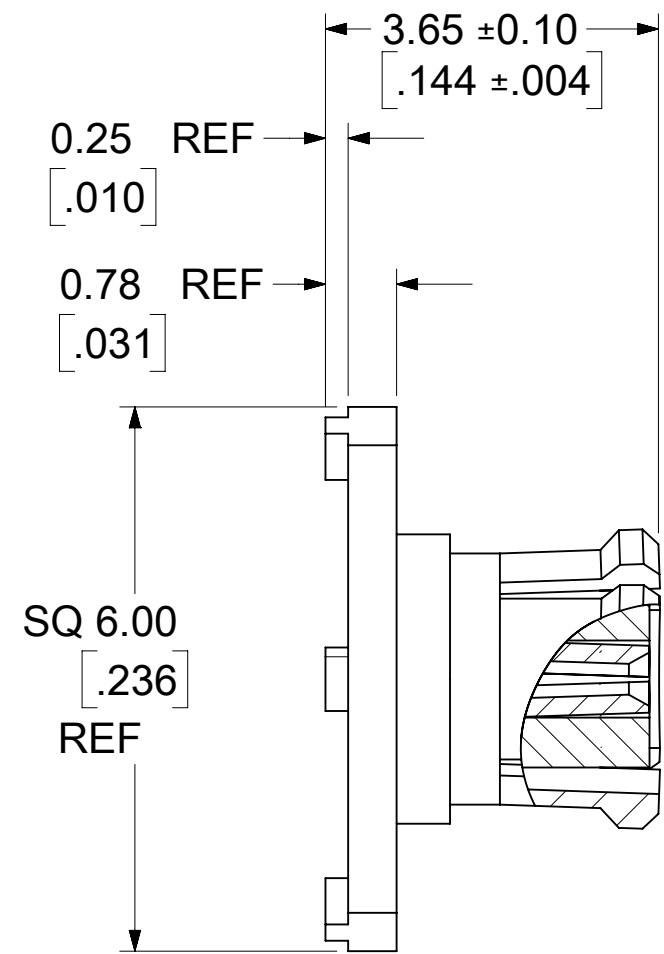
**MATERIALS AND FINISHES:**

**BODY: BRASS**  
**PLATED: GOLD (10μ-in MIN)**  
**OVER NICKEL (100μ-in MIN)**

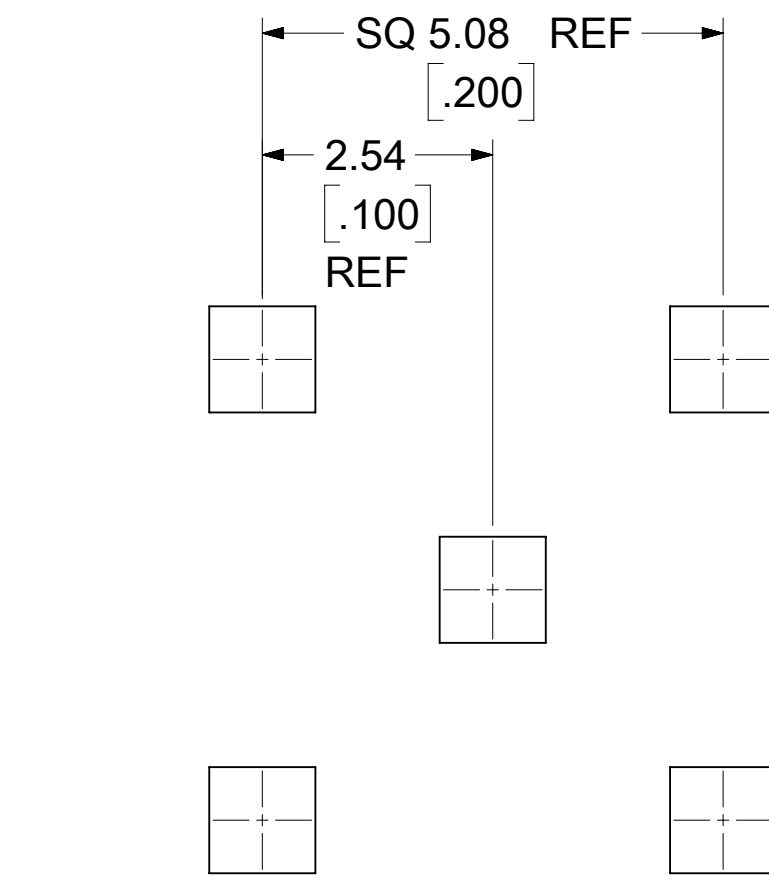
**CENTER CONTACT: BRASS**  
**PLATED: GOLD (30μ-in MIN)**  
**OVER NICKEL (100μ-in MIN)**

**INSULATOR: PTFE**

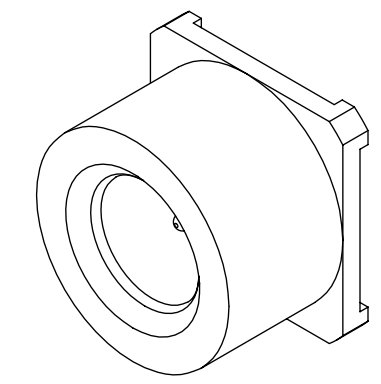
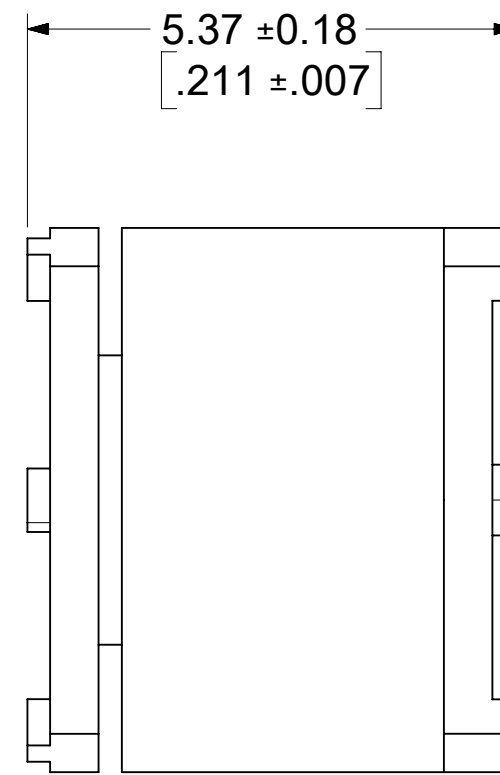
**KAPTON: POLYIMIDE**  
**COLOR: BLACK**



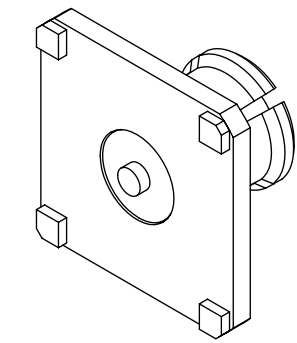
**MOD SMP JACK**  
**(MOLEX 73415-5300)**



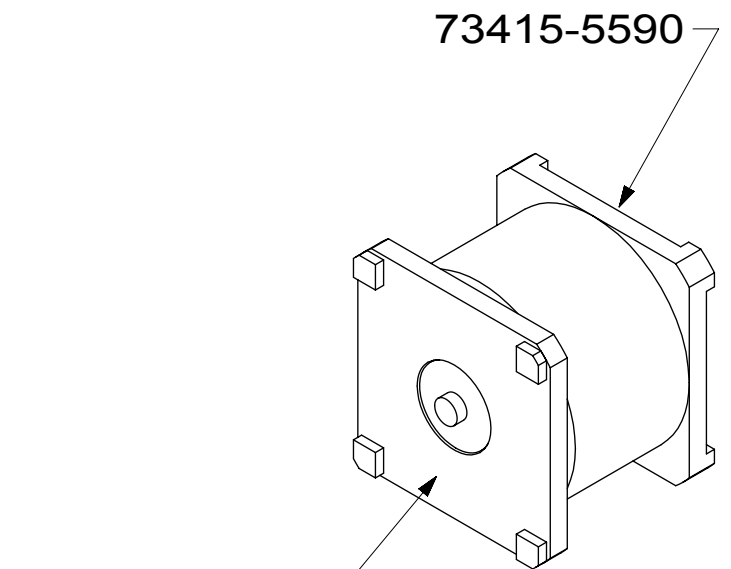
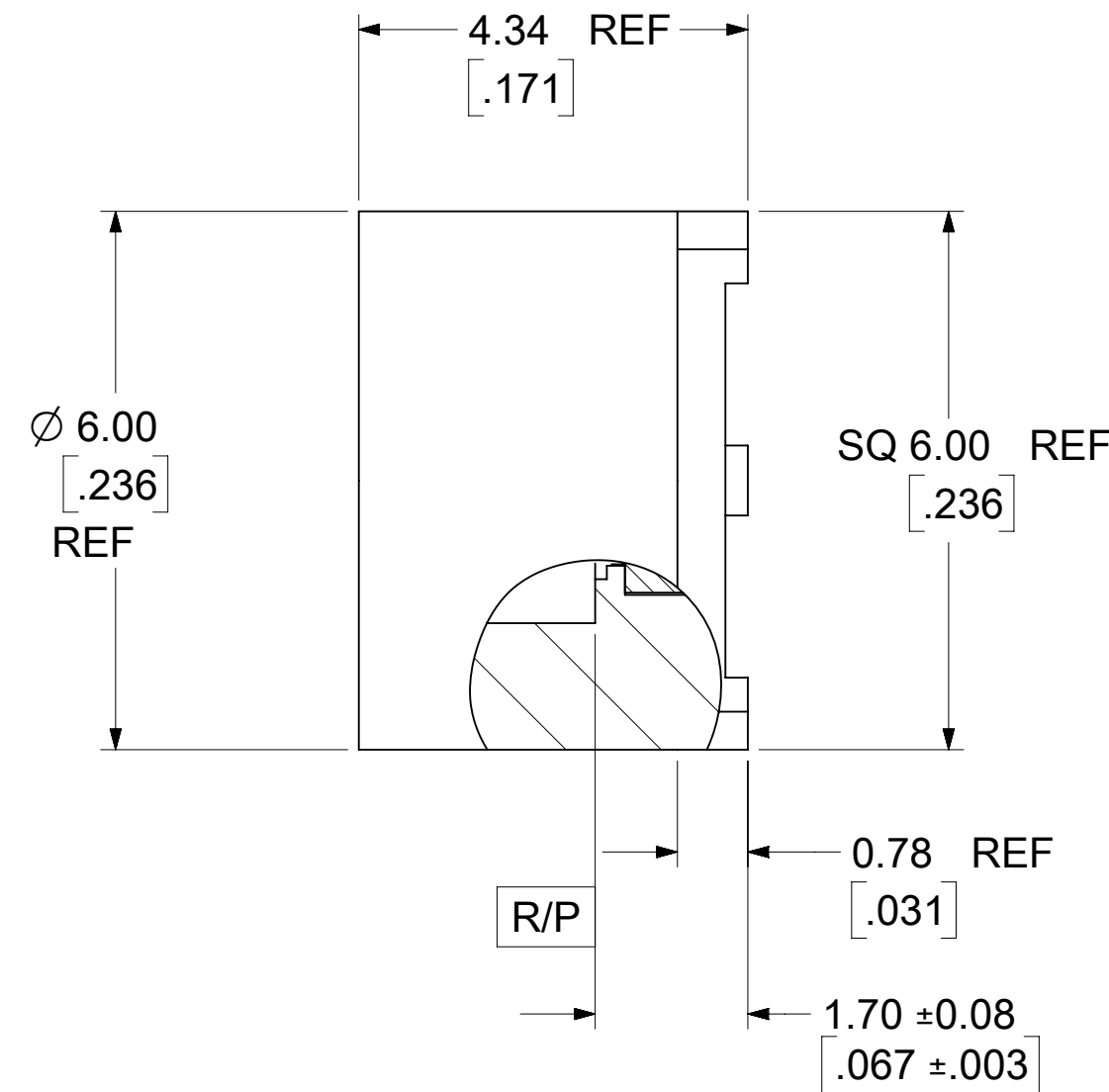
**RECOMMENDED PCB LAYOUT**



**MOD SMP PLUG**  
**(MOLEX 73415-5590)**



**MOD SMP JACK**  
**(MOLEX 73415-5300)**

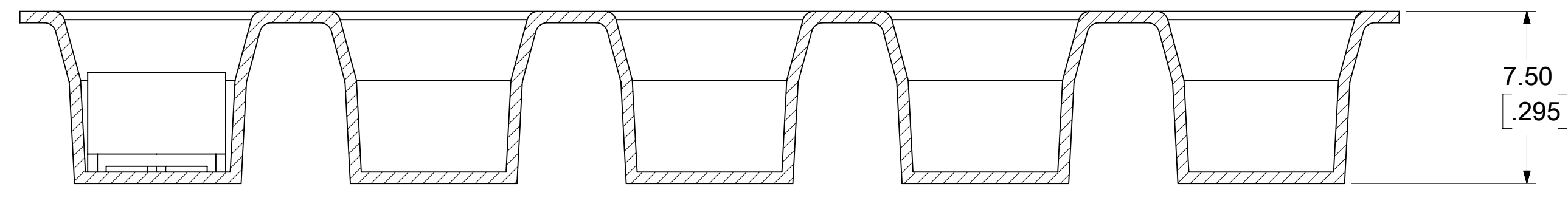
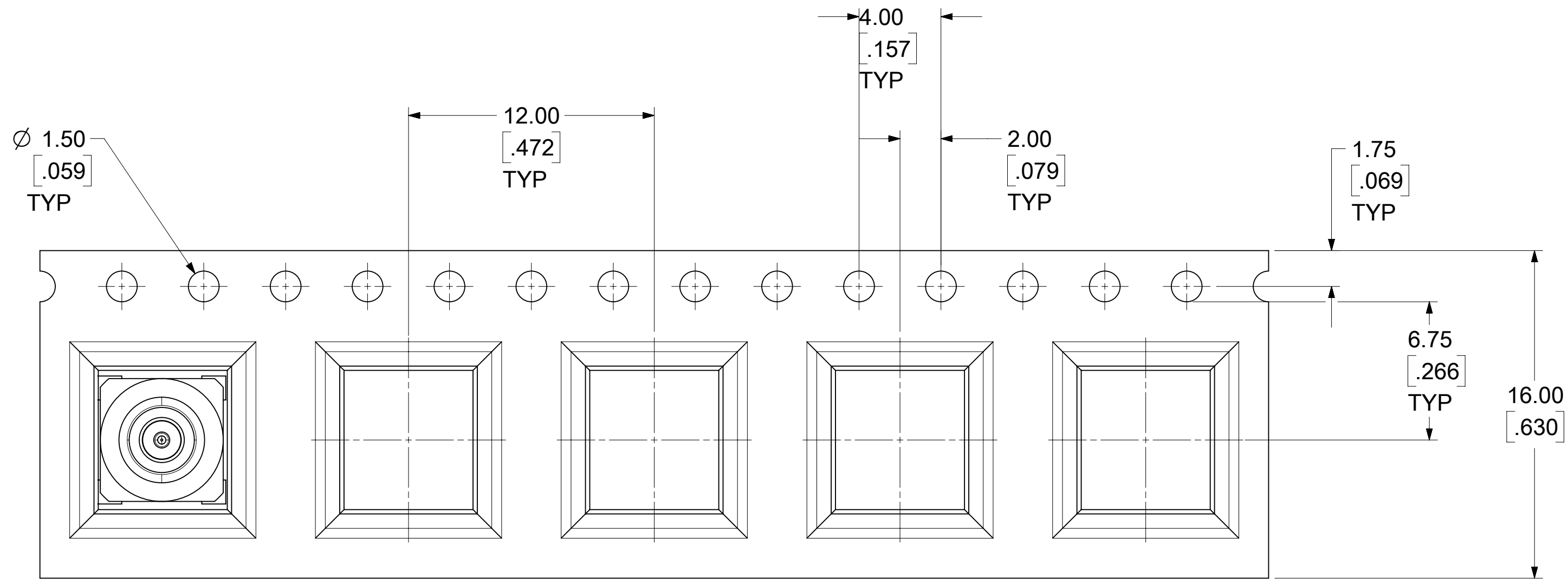


**MOD SMP PLUG**  
**(MOLEX 73415-5590)**

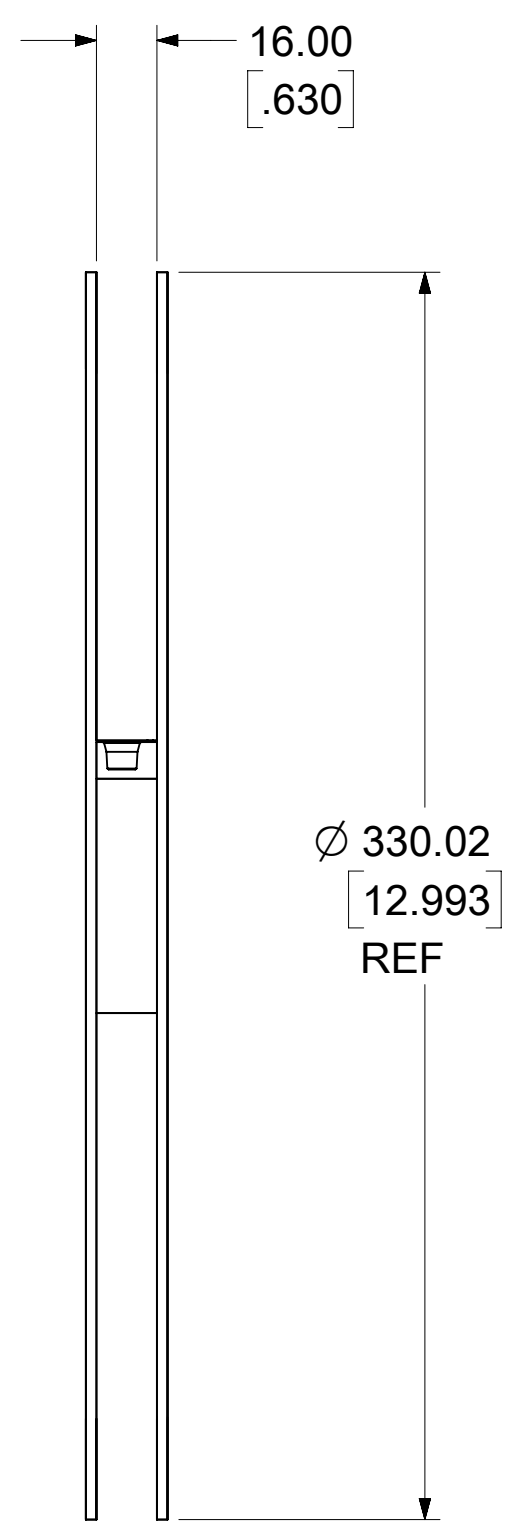
73415-5593	ONE PER BAG	895420470
73415-5592	TAPE AND REEL PACKAGING WITH KAPTON	-----
73415-5591	TAPE AND REEL PACKAGING WITHOUT KAPTON	-----
73415-5590	TRAY	895420040
PART NO.	DESCRIPTION	PACKING SPEC

PS-89675-3320	PRODUCT SPECIFICATION
MIL-STD-348B, FIG. 326.1	INTERFACE SMP JACK
MIL-STD-348B, FIG. 326.5	INTERFACE SMP PLUG
SPECIFICATION	DESCRIPTION

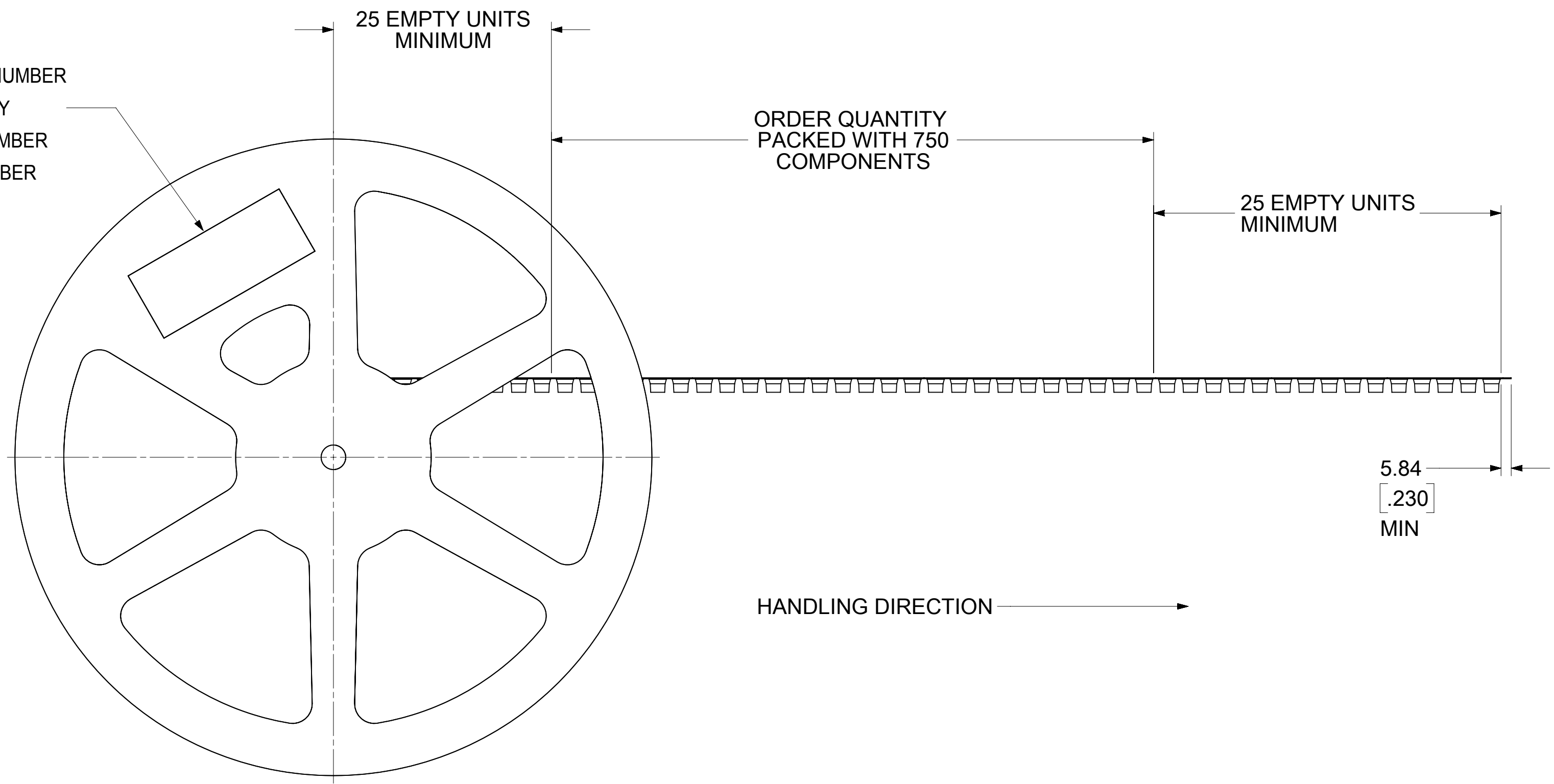
FUNCTIONAL SYMBOLS	THIS DRAWING CONTAINS INFORMATION THAT IS PROPRIETARY TO MOLEX ELECTRONIC TECHNOLOGIES, LLC AND SHOULD NOT BE USED WITHOUT WRITTEN PERMISSION						
	DIMENSION UNITS	SCALE	CURRENT REV DESC:				
$\nabla_A = 0$	MM/INCH	NTS	EWR # 15321-E ADDED -5593 PART NO				
$\nabla_C = 0$	GENERAL TOLERANCES (UNLESS SPECIFIED)		EC NO: 718007 DRWN: BSHAH 2022/04/18 CHK'D: YCHENG 2022/08/24 APPR: YCHENG 2022/08/24				
$\nabla_P = 0$	ANGULAR TOL ± 2.0°						
DIVISIONAL SYMBOLS	4 PLACES	±	INITIAL REVISION: DRWN: JMASTRIANO 2005/10/10 APPR: JWIENER 2005/10/11				
	3 PLACES	±					
	2 PLACES	± 0.25					
	1 PLACE	±					
0 PLACES	±		DOCUMENT NUMBER: <b>SD-73415-559</b>				
DRAFT WHERE APPLICABLE MUST REMAIN WITHIN DIMENSIONS		THIRD ANGLE PROJECTION	DRAWING: <b>C-SIZE</b>	SERIES: <b>73415</b>	DOC TYPE: <b>PSD</b>	DOC PART: <b>001</b>	REVISION: <b>A6</b>
DOCUMENT STATUS: <b>P1</b>	RELEASE DATE: <b>2022/08/24 02:18:09</b>	MATERIAL NUMBER: <b>GENERAL MARKET</b>		CUSTOMER: <b>GENERAL MARKET</b>		SHEET NUMBER: <b>1 OF 3</b>	



FUNCTIONAL SYMBOLS		THIS DRAWING CONTAINS INFORMATION THAT IS PROPRIETARY TO MOLEX ELECTRONIC TECHNOLOGIES, LLC AND SHOULD NOT BE USED WITHOUT WRITTEN PERMISSION		CURRENT REV DESC:			
DIMENSION UNITS		SCALE		EWR # 15321-E ADDED -5593 PART NO			
$\frac{F}{A} = 0$ $\frac{F}{C} = 0$ $\frac{F}{P} = 0$		<b>MM/INCH</b> <b>NTS</b> GENERAL TOLERANCES (UNLESS SPECIFIED) ANGULAR TOL $\pm 2.0^\circ$		EC NO: 718007 DRWN: BSHAH    2022/04/18 CHK'D: YCHENG    2022/08/24 APPR: YCHENG    2022/08/24		MOD SMP PLUG, PCB, SMT 50 OHMS, EWR-2926 SMP-P/PCB/SMT	
DIVISIONAL SYMBOLS		4 PLACES $\pm$ 3 PLACES $\pm$ 2 PLACES $\pm 0.25$ 1 PLACE $\pm$ 0 PLACES $\pm$		INITIAL REVISION: DRWN: JMASTRIANO    2005/10/10 APPR: JWIENER    2005/10/11		PRODUCT CUSTOMER DRAWING DOCUMENT NUMBER: <b>SD-73415-559</b> DOC TYPE: PSD    DOC PART: 001    REVISION: A6	
DRAFT WHERE APPLICABLE MUST REMAIN WITHIN DIMENSIONS		THIRD ANGLE PROJECTION		DRAWING: <b>C-SIZE</b>		SHEET NUMBER: <b>2 OF 3</b>	



LABEL:  
-ORDER NUMBER  
-QUANTITY  
-PART NUMBER  
-LOT NUMBER



FUNCTIONAL SYMBOLS										THIS DRAWING CONTAINS INFORMATION THAT IS PROPRIETARY TO MOLEX ELECTRONIC TECHNOLOGIES, LLC AND SHOULD NOT BE USED WITHOUT WRITTEN PERMISSION													
DIMENSION UNITS		SCALE		CURRENT REV DESC:																			
MM/INCH		NTS		EWR # 15321-E ADDED -5593 PART NO																			
GENERAL TOLERANCES (UNLESS SPECIFIED)										EC NO: 718007													
ANGULAR TOL ± 2.0°										DRWN: BSHAH 2022/04/18													
4 PLACES ±										CHK'D: YCHENG 2022/08/24													
3 PLACES ±										APPR: YCHENG 2022/08/24													
2 PLACES ± 0.25										INITIAL REVISION:													
1 PLACE ±										DRWN: JMASTRIANO 2005/10/10													
0 PLACES ±										APPR: JWIENER 2005/10/11													
DIVISIONAL SYMBOLS										THIRD ANGLE PROJECTION		DRAWING		SERIES		DOCUMENT NUMBER		DOC TYPE		DOC PART		REVISION	
DRAFT WHERE APPLICABLE MUST REMAIN WITHIN DIMENSIONS												C-SIZE		73415		SD-73415-559		PSD		001		A6	
MATERIAL NUMBER				CUSTOMER				SHEET NUMBER															
				GENERAL MARKET				3 OF 3															