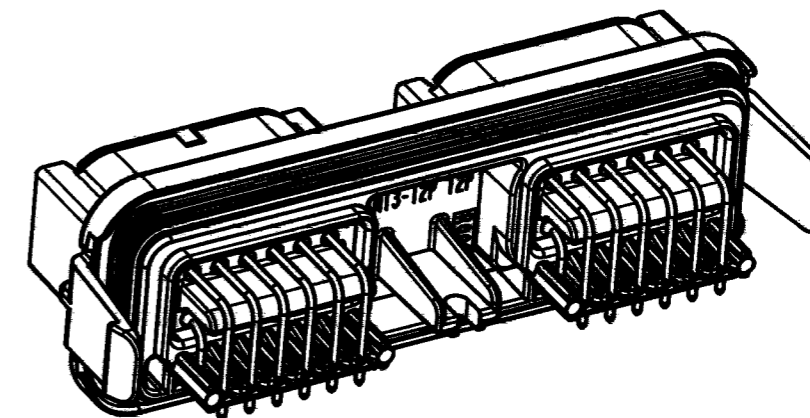
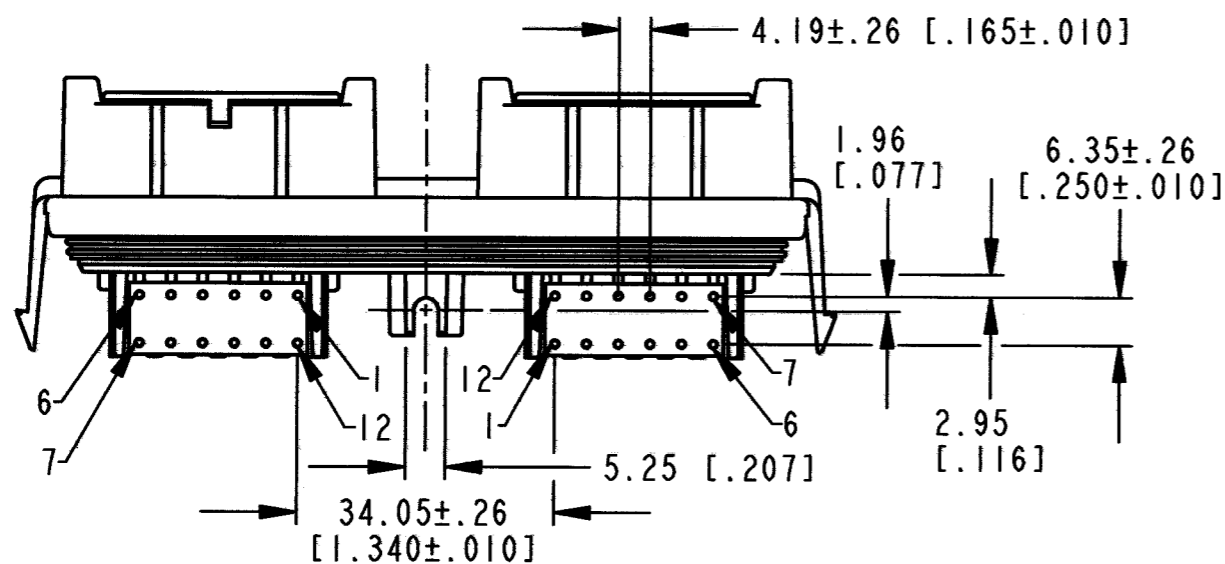
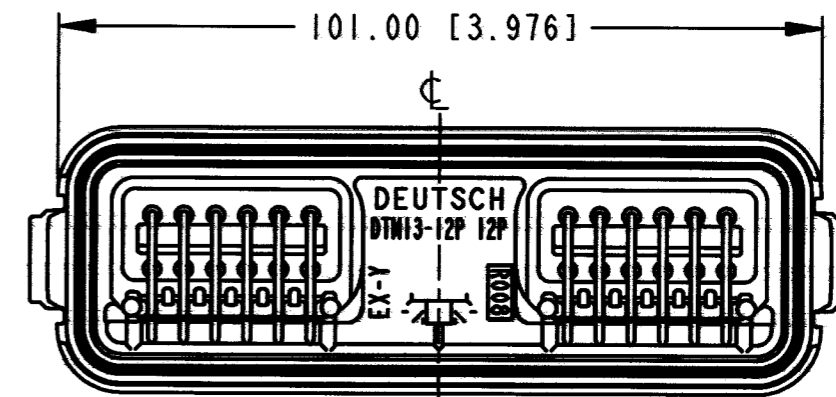
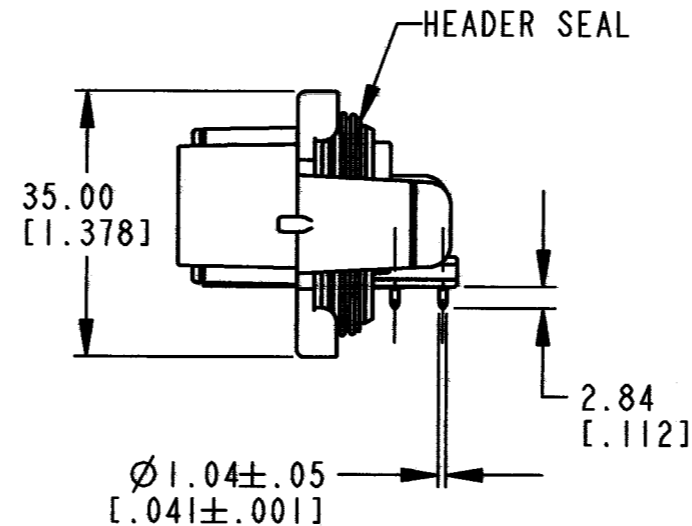
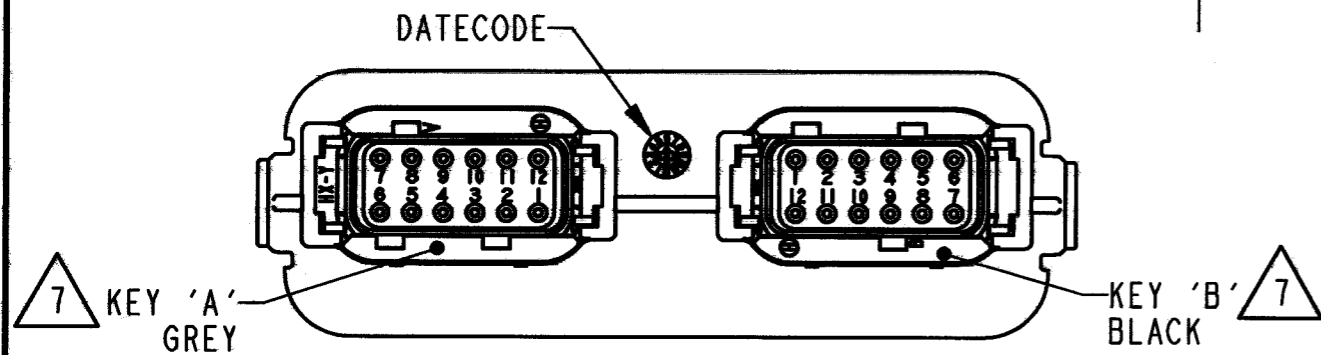


REV E DTM13-12P*12P*-R008

REVISIONS			
SYM	DESCRIPTION	DATE	APPROVED
B	REVISED PER E.O. P18708	7-29-05	R.D.R.
C	REVISED PER E.O. P19210	4-4-06	R.D.R.
D	REVISED PER E.O. P19335	8/3/06	RDR
E	REVISED PER E.O. P20972	11-7-11	RDR



7 SEE SHEETS 2 AND 3 FOR OTHER KEY ARRANGEMENTS.

6. THIS RECEPTACLE IS USED WITH EEC-325X4(A OR B) ENCLOSURE. SEE ENVELOPE DRAWING EEC-325X4A/EEC-325X4B FOR ENCLOSURE INFORMATION.

5. THIS RECEPTACLE MATES WITH DTM06-12S*-**** PLUG, 2 REQD. (* = A,B,C,D KEYS; **** = ALL MODIFICATIONS).

- 4. MATERIAL - PLASTIC (BLACK); SEALS: RUBBER.
- 3. CONTACT PLATING - MATING SIDE: NICKEL; PCB SIDE: TIN.
- 2. DIMENSION TOLERANCE: ±.64 [0.025].

1. DIMENSIONS ARE IN MILLIMETERS [IN].
NOTES: UNLESS OTHERWISE SPECIFIED

SIGNATURE & DATE	
DR	D. MEYER 08/07/03
CHK	[Signature] 11/07/2011
PE	[Signature] 1/26/11
APPD	[Signature]
SCALE	NONE WT

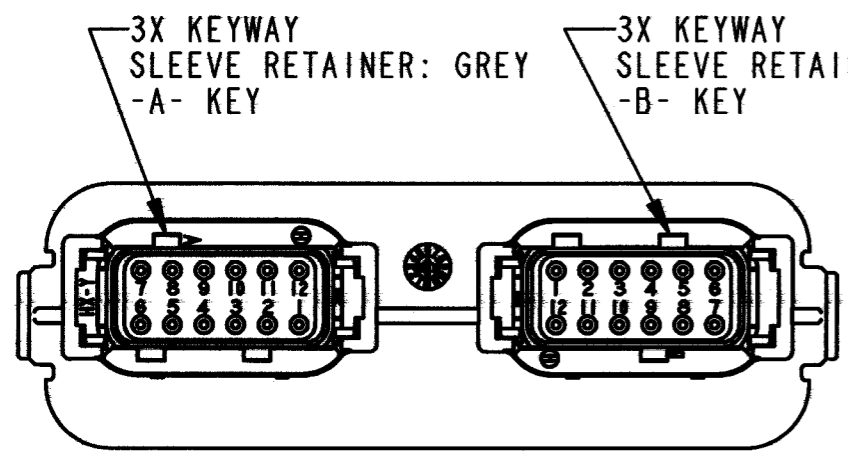
RECEPTACLE
2 x 12 #20 SIZE CONTACTS
-R008
DTM SERIES

ENVELOPE

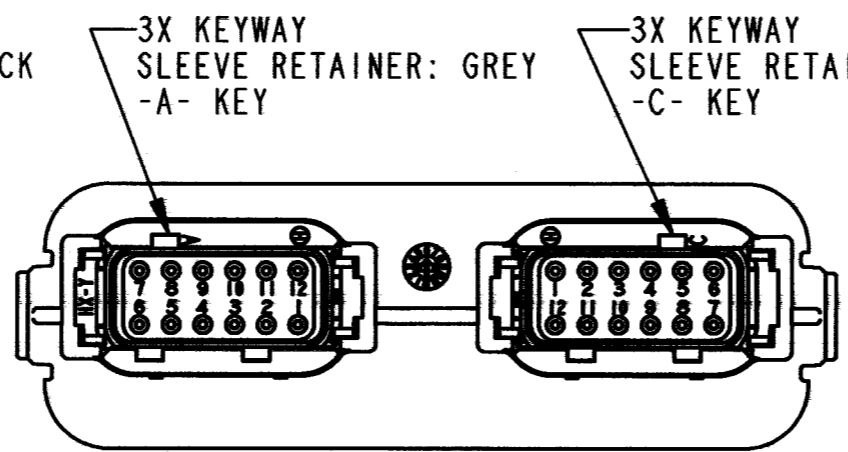
EP 053	MATL. CODE
3850 INDUSTRIAL AVE. HEMET, CA 92545	
B DTM13-12P*12P*-R008	
DWG SIZE	CODE 11139 SHEET 1 OF 3

REV
E DTM13-12P*12P*-R008

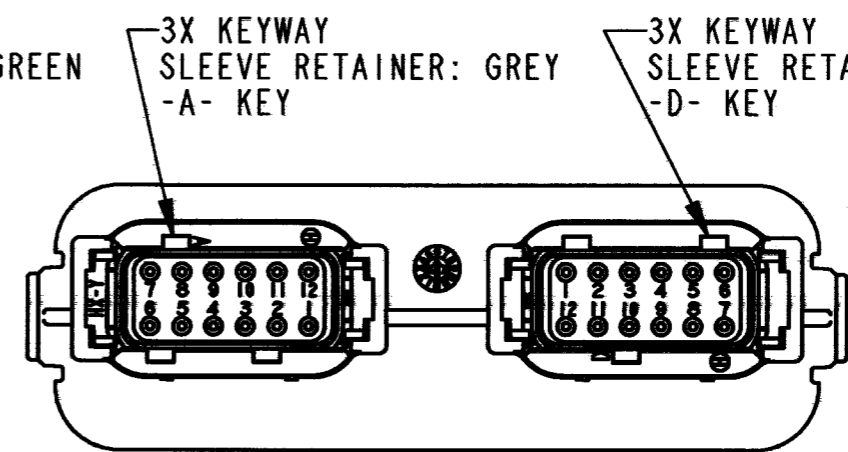
REVISIONS			
SYM	DESCRIPTION	DATE	APPROVED
E	SEE SHEET 1	11-7-11	RDR



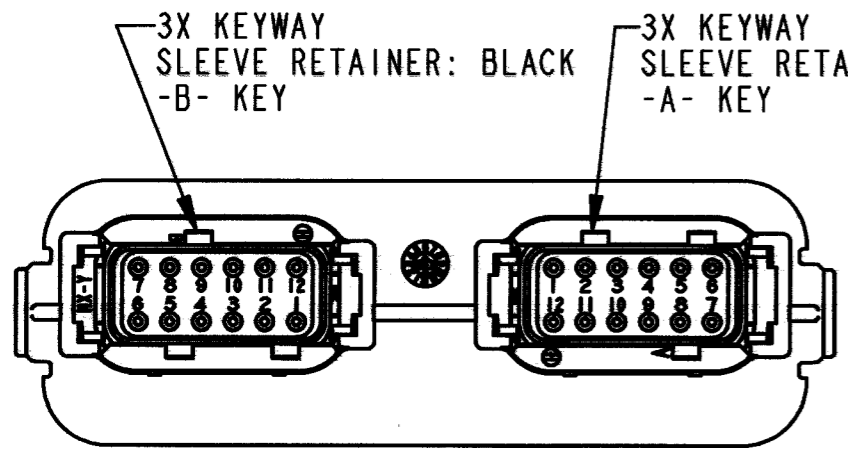
DTM13-12PA-12PB-R008
KEY -AB-



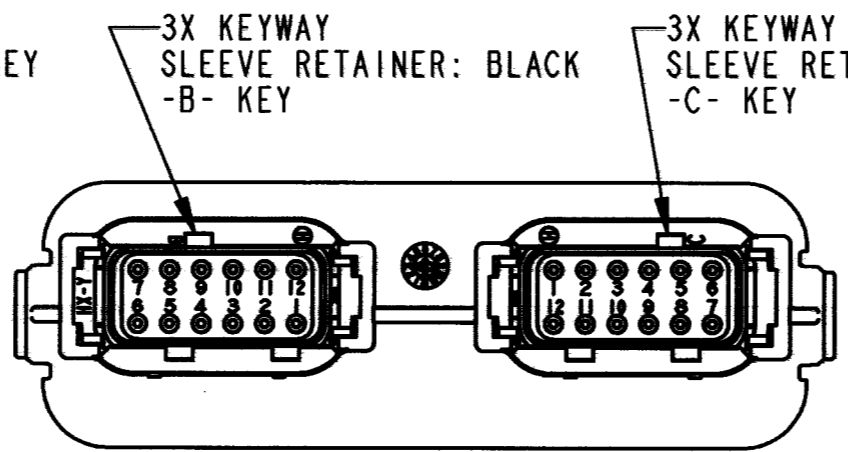
DTM13-12PA-12PC-R008
KEY -AC-



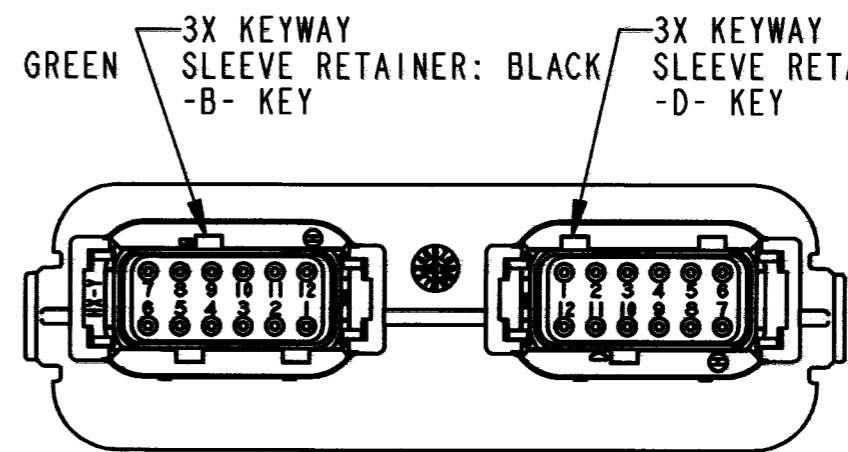
DTM13-12PA-12PD-R008
KEY -AD-



DTM13-12PB-12PA-R008
KEY -BA-



DTM13-12PB-12PC-R008
KEY -BC-




DTM13-12PB-12PD-R008
KEY -BD-

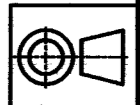
NOTES:

SIGNATURE & DATE	
DR	D. MEYER 08/07/03
CHK	<i>B. Dyland</i> 11/07/2011
PE	<i>W. C. ...</i> 9/26/11
APPD	<i>S. Boudreau</i> 11/11/11
SCALE	NONE WT

RECEPTACLE
2 x 12 #20 SIZE CONTACTS
-R008
DTM SERIES

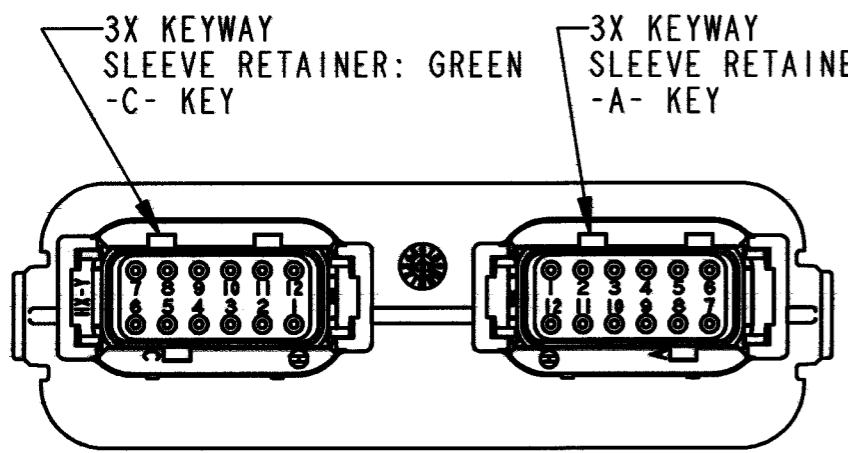
ENVELOPE

EP 053	MATL. CODE
 3850 INDUSTRIAL AVE. HEMET, CA 92545 DEUTSCH INDUSTRIAL	
B DTM13-12P*-12P*-R008	
DWG SIZE	CODE 11139 SHEET 2 OF 3

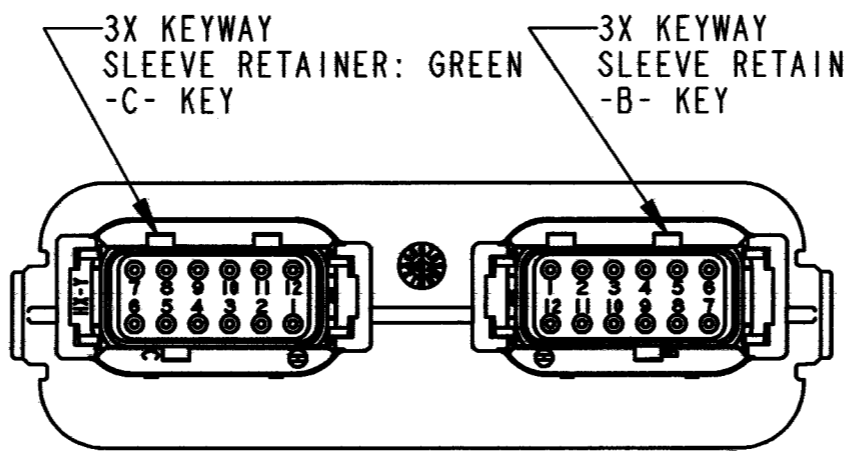


REV E DTM13-12P*12P*R008

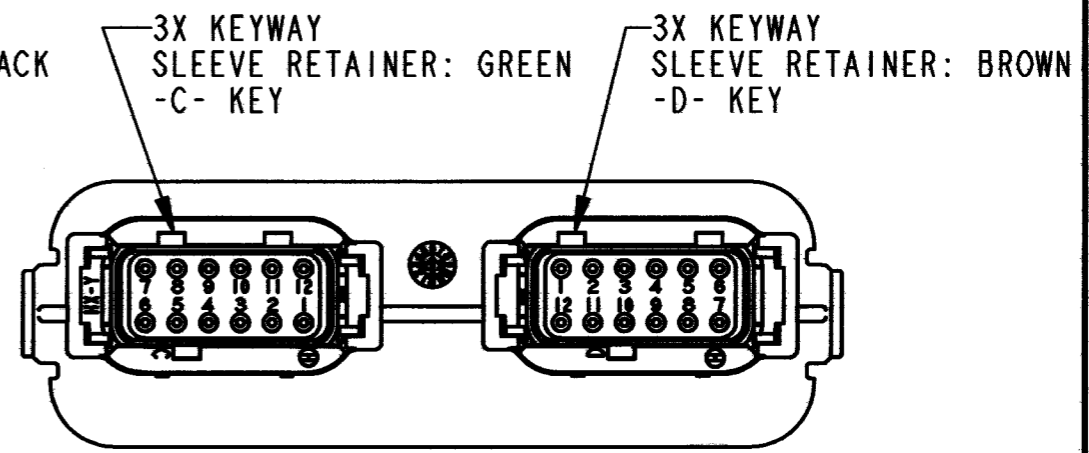
REVISIONS			
SYM	DESCRIPTION	DATE	APPROVED
E	SEE SHEET 1	11-7-11	RDR



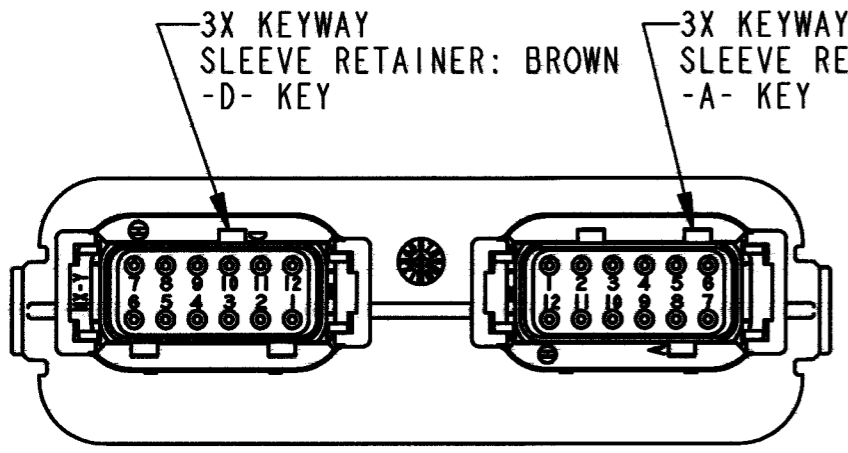
DTM13-12PC-12PA-R008
KEY -CA-



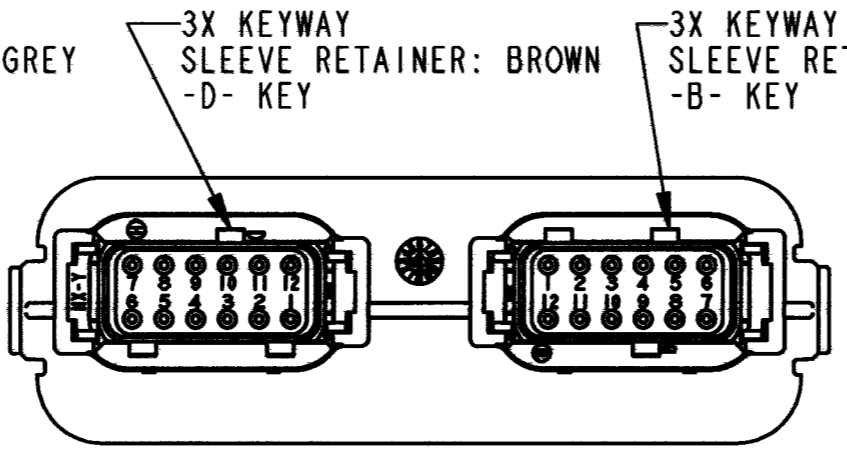
DTM13-12PC-12PB-R008
KEY -CB-



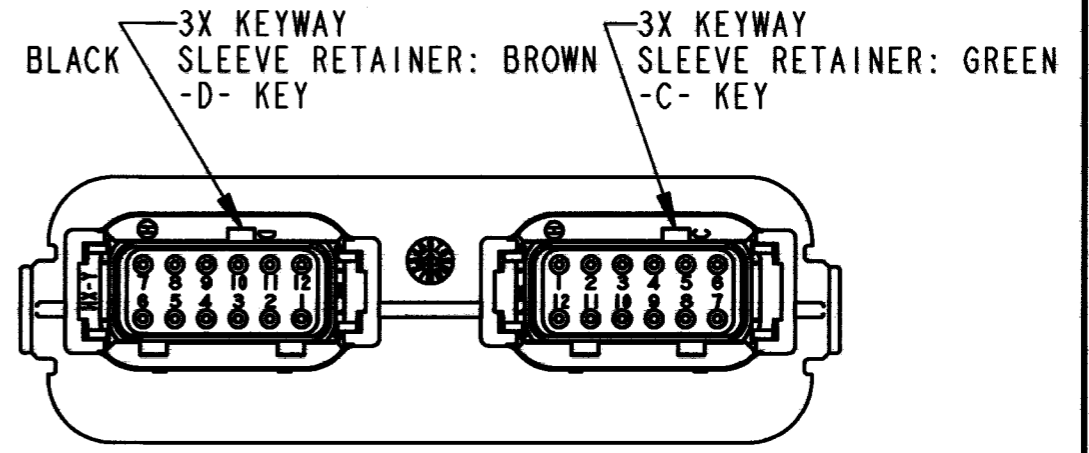
DTM13-12PC-12PD-R008
KEY -CD-



DTM13-12PD-12PA-R008
KEY -DA-



DTM13-12PD-12PB-R008
KEY -DB-



DTM13-12PD-12PC-R008
KEY -DC-

NOTES:

SIGNATURE & DATE	
DR	D. MEYER 08/07/03
CHK	<i>[Signature]</i> 11/07/2011
PE	<i>[Signature]</i> 9/26/11
APPD	<i>[Signature]</i> 11/7/11
SCALE	NONE WT

RECEPTACLE
2 x 12 #20 SIZE CONTACTS
-R008
DTM SERIES
ENVELOPE

EP 053	MATL. CODE
3850 INDUSTRIAL AVE. HEMET, CA 92545	
DEUSCH INDUSTRIAL	
B	DTM13-12P*-12P*-R008
DWG SIZE	CODE 11139 SHEET 3 OF 3

