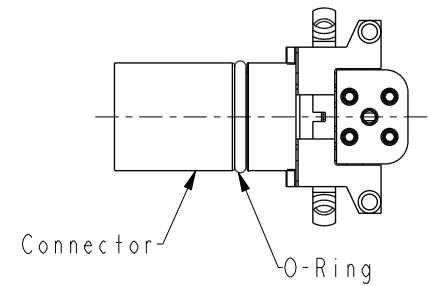
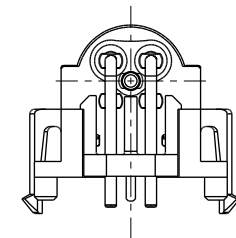
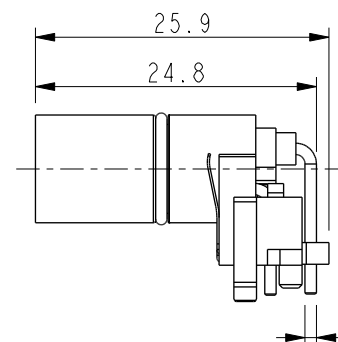
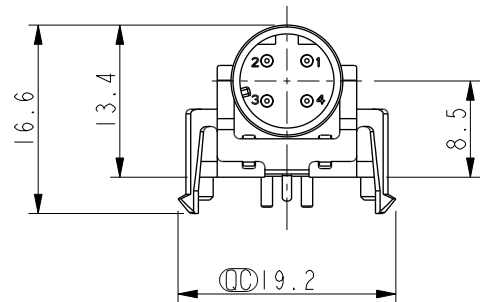
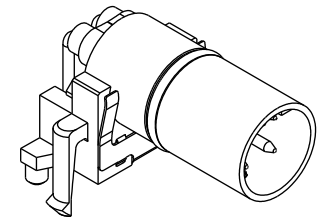
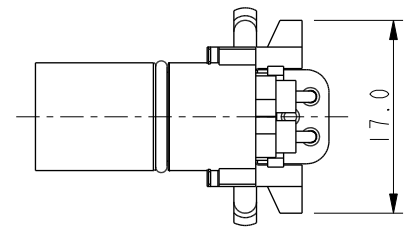


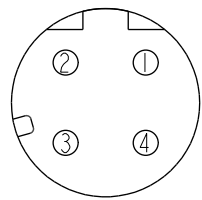
THIS DOCUMENT IS SUBJECT TO CHANGE WITHOUT NOTICE. IT IS CONFIDENTIAL AND A PROPERTY OF AMPHENOL LTW. DISCLOSURE TO THIRD PARTY HAS TO BE AUTHORIZED BY AMPHENOL LTW.

REV.	ECN NO.	DATE	SIGN	DESCRIPTION
A		2022-01-20	Jiahe Lin	Rev.01 To Rev.A

MSDS-XXPMMR-EE0001
 XX: No. Of Pin

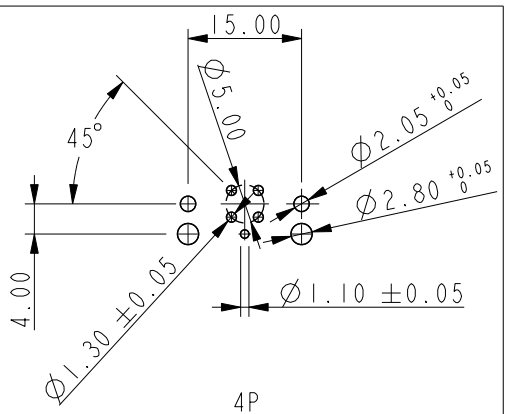


Note:
 * RoHS Compliant
 * \varnothing Important dimension
 * Waterproof rate: Non-Waterproof
 * Connector
 Housing: Thermoplastic, Black
 Pin: Copper alloy, Gold plated
 O-Ring: Rubber, Black
 * For pcb thickness max: 1.6mm



4P

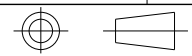
Pin Assignment
Front View



4P

PCB Layout

UNIT:mm



TITLE
N SEN, M12 D -SHLD,
RECEPTACLE, M, M, PCB R

Amphenol LTW

ITEM NO

DRAWN BY
Jiahe Lin

DATE
2022-01-20

TOLERANCE
.X ±0.25
.XX ±0.1
.XXX ±0.05
ANGLES ±1°

SCALE
3:2

SIZE
A4

SHEET
1 OF 1

REV.
A

安費諾亮泰企業股份有限公司

DWG NO
MSDS-XXPMMR-EE0001

CHECKED BY
Allen Pan

DATE
2022-01-20

CUSTOMER
ALTW

APPROVED BY
Fred Lee

DATE
2022-01-20