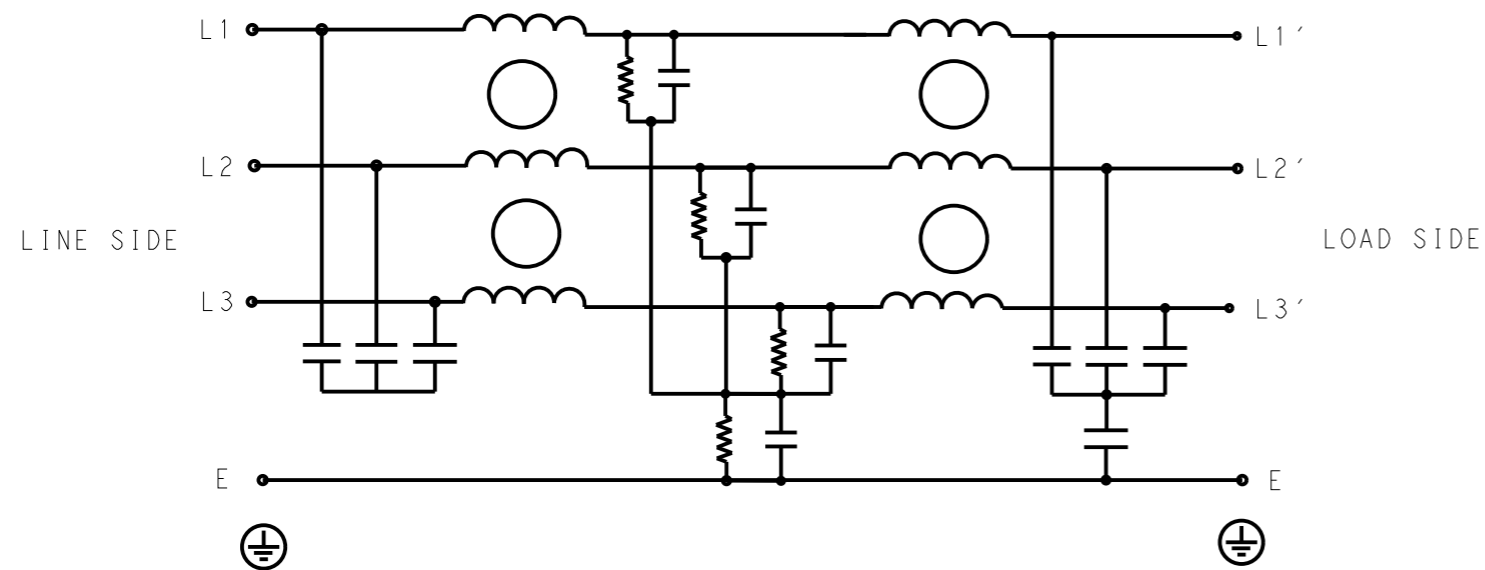


REVISIONS

P	LTR	DESCRIPTION	DATE	DWN	APVD
	A	INITIAL RELEASE	22APR2021	SR	CB



SCHEMATIC

SAFETY ORGANIZATIONS

THIS FILTER WILL BE FORMALLY RECOGNIZED, CERTIFIED OR APPROVED BY THE LISTED AGENCY. THEREFORE, ALL TEST/REQUIREMENTS SPECIFIED IN THE LATEST REVISION OF THE FOLLOWING AGENCY STANDARDS WILL BE MET:

UL APPROVED 7A 440V 50Hz/60Hz 40°C
 CSA APPROVED 7A 440V 50Hz/60Hz 40°C

OPERATING SPECIFICATION

LINE CURRENT/VOLTAGE: 7A, 440VAC
LINE FREQUENCY: 50/60Hz

MAXIMUM LEAKAGE CURRENT: 10mA @ 230VAC, 50Hz

OPERATING AMBIENT TEMPERATURE RANGE @ RATED CURRENT: -25°C TO +40°C

IN AN AMBIENT, T_a, HIGHER THAN 40°C, THE MAXIMUM OPERATING CURRENT, I_o, IS AS FOLLOWS:

$$I_o = I_r \sqrt{\frac{85 - T_a}{45}}$$

RELIABILITY SPECIFICATIONS

STORAGE TEMPERATURE: -40°C TO +85°C
HUMIDITY: 21 DAYS @ 40°C AND 95% RH

TEST SPECIFICATIONS

INDUCTANCE, NOMINAL: 10mH

CAPACITANCE @ 1kHz

LINE TO GROUND, NOMINAL: 0.66µF
LINE TO LINE, NOMINAL: 1.5µF

DISCHARGE RESISTOR

L/L I.R. 3MΩ 1W
 L/N I.R. XXX
 L/G I.R. 680KΩ 1W
 N/G I.R. XXX
 IR (NO DISCHARGE RESISTOR) 20°C, 50% RH AND 100VDC, MIN: 6MΩ

RECOMMENDED RECEIVING INSPECITON HIPOT

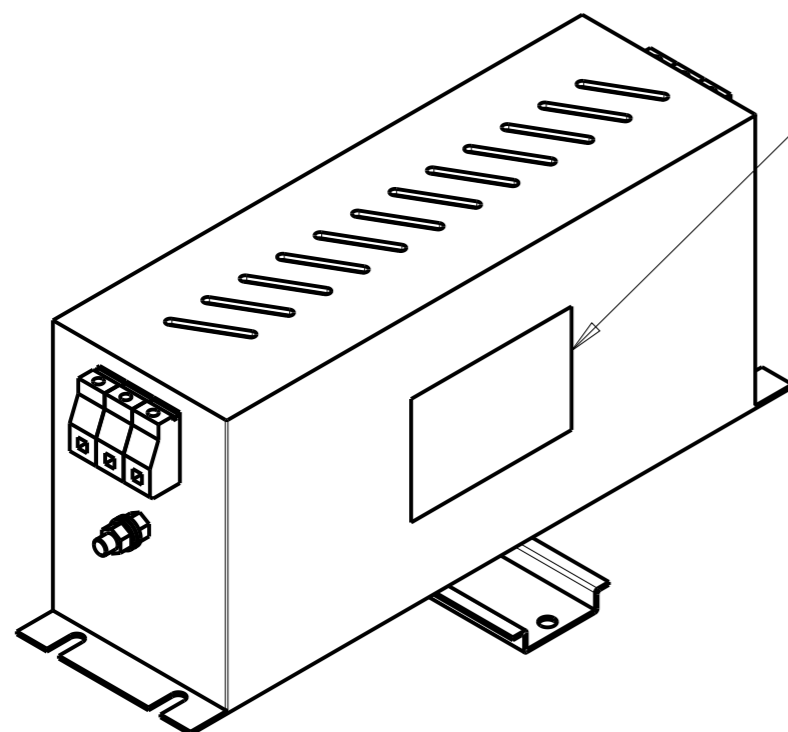
LINE TO GROUND FOR 1 MINUTE: 2632VDC
LINE TO LINE FOR 1 MINUTE: 1892VDC

FILTER APPROVAL

THE BEST WAY TO SELECT AND QUALIFY A FILTER IS FOR YOUR ENGINEERING TO TEST THE UNIT IN YOUR EQUIPMENT.

TYPICAL INSERTION LOSS
COMMON MODE 50/50Ω; DIFFERENTIAL MODE 50/50Ω

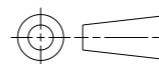
MHz	0.01	0.05	0.15	0.5	1	3	5	10	30
CM	70	72	75	80	75	60	50	48	19
DM	45	50	33	47	50	48	38	22	65



LABEL TO TE MARKING SPECIFICATION

THIS DRAWING IS A CONTROLLED DOCUMENT.

DIMENSIONS:
mm



TOLERANCES UNLESS OTHERWISE SPECIFIED:

0 PLC	±-
1 PLC	±0.5
2 PLC	±0.40
3 PLC	±0.130
4 PLC	±0.0500
ANGLES	±-

MATERIAL

FINISH

DWN SUPREETH R 22APR2021
 CHK CHRIS BOLLE 22APR2021
 APVD CHRIS BOLLE 22APR2021



NAME POWER LINE FILTER FOR
 DIN RAIL 35 INSTALLATION
 7KEHD10ABSDHM

PRODUCT SPEC

APPLICATION SPEC

WEIGHT

SIZE A3 CAGE CODE 00779 DRAWING NO. C-3-1609969-0 RESTRICTED TO

CUSTOMER DRAWING

SCALE 1:2 SHEET 1 OF 2 REV A

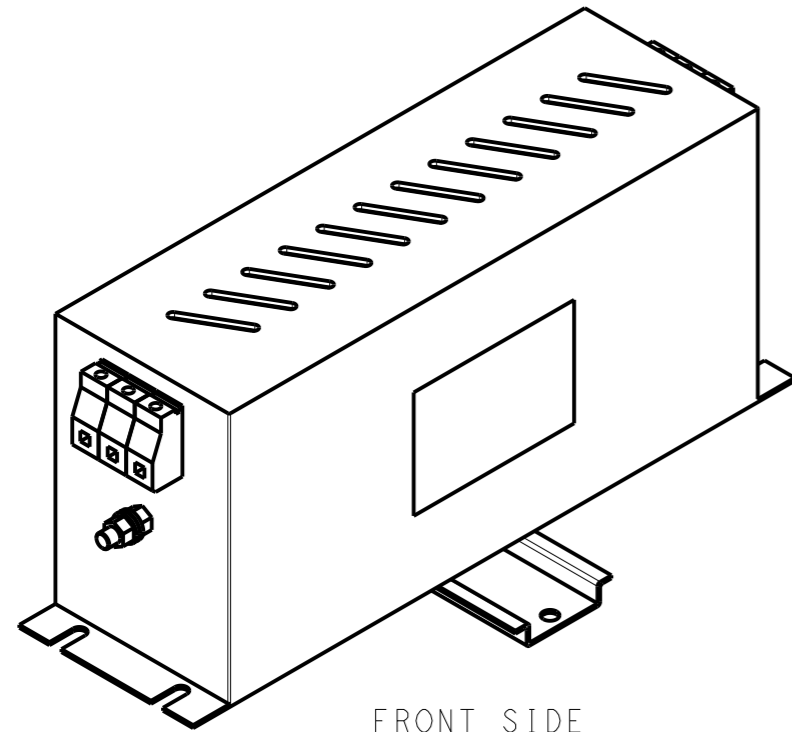
© 2021 TE Connectivity. All Rights Reserved.

NOTE 1 GROUND CONNECTION:
 FOR ELECTRICAL SAFETY AND FILTER PERFORMANCE
 UNIT MUST HAVE A GOOD GROUND CONNECTION.
 TORQUE OUTER TERMINAL SCREWS: 0.5Nm / 4.5 in.lbs
 TORQUE GROUND NUTS: 2Nm

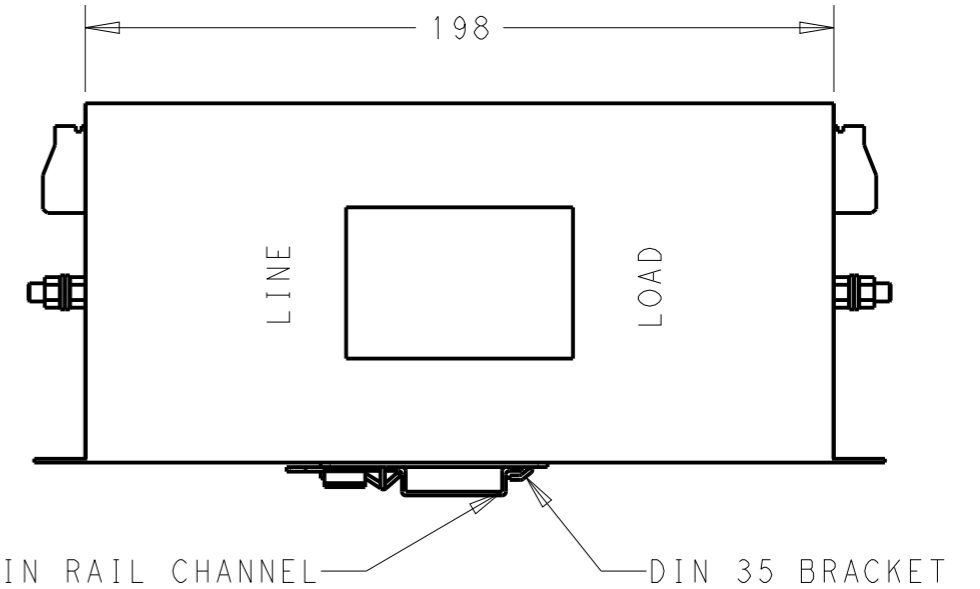
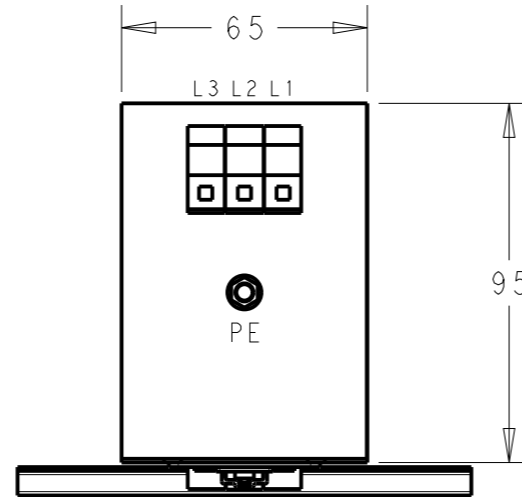
NOTE 2 INPUT OUTPUT CONNECTION TERMINAL
 AWG SIZE: 26-12 AWG
 WIRE SECTION: 4mm²
 THREADED BOLT SIZE FOR GROUND: M5

NOTE 3 SUPPLIED WITH DIN RAIL BRACKET.

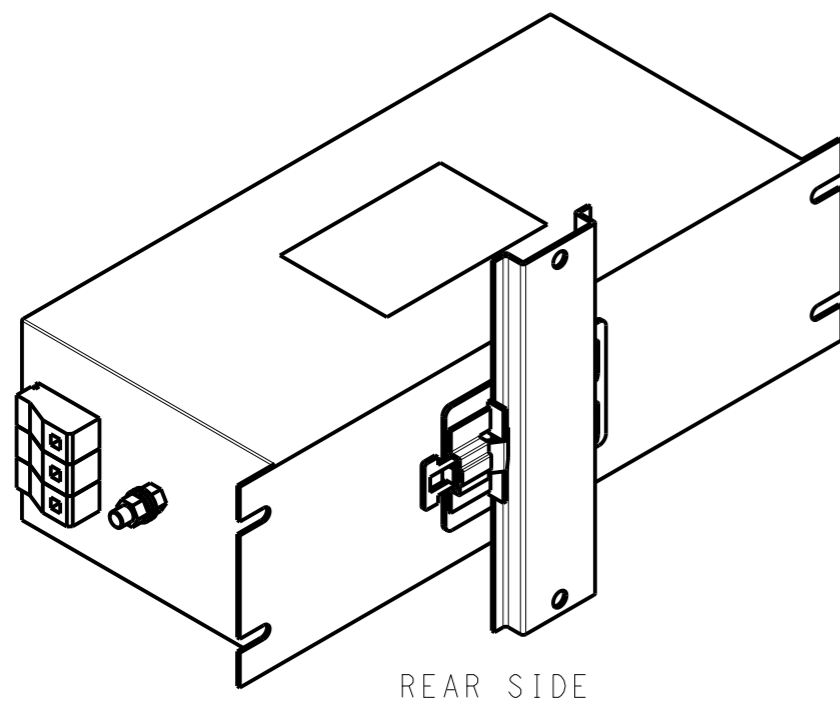
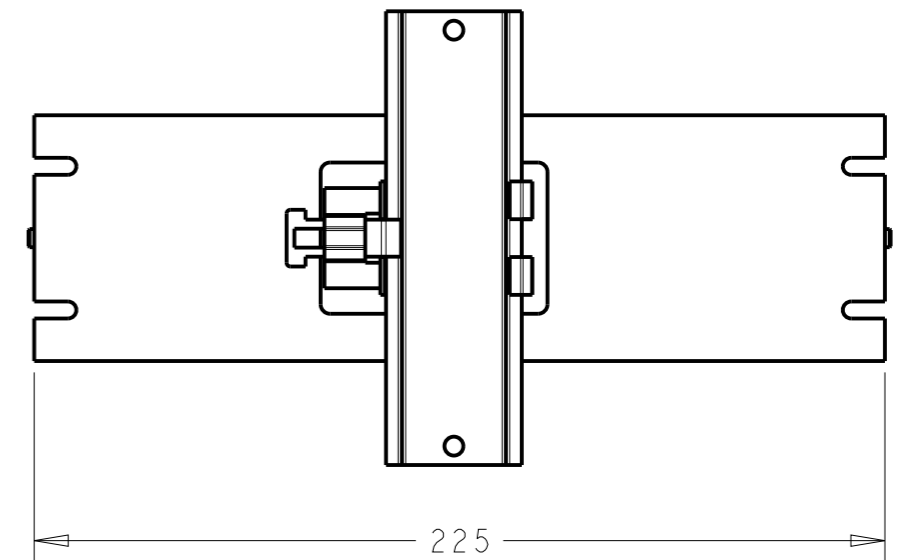
NOTE 4 DRAWING SHOWS DIN RAIL FOR REFERENCE ONLY.



FRONT SIDE



DIN RAIL CHANNEL — DIN 35 BRACKET



REAR SIDE

THIS DRAWING IS A CONTROLLED DOCUMENT.		DWN SUPREETH R 22APR2021		
		CHK CHRIS BOLLE 22APR2021		
		APVD CHRIS BOLLE 22APR2021	NAME POWER LINE FILTER FOR DIN RAIL 35 INSTALLATION 7KEHD10ABSDHM	
DIMENSIONS: mm		PRODUCT SPEC -	SIZE A3	
TOLERANCES UNLESS OTHERWISE SPECIFIED:		APPLICATION SPEC -	CAGE CODE 00779	
0 PLC ±0.5		WEIGHT -	DRAWING NO C-3-1609969-0	
1 PLC ±0.40		CUSTOMER DRAWING	RESTRICTED TO -	
2 PLC ±0.130			SCALE 1:2	
3 PLC ±0.0500			SHEET 2 OF 2	
4 PLC ±0.0500			REV A	
ANGLES ±				
MATERIAL -	FINISH -			