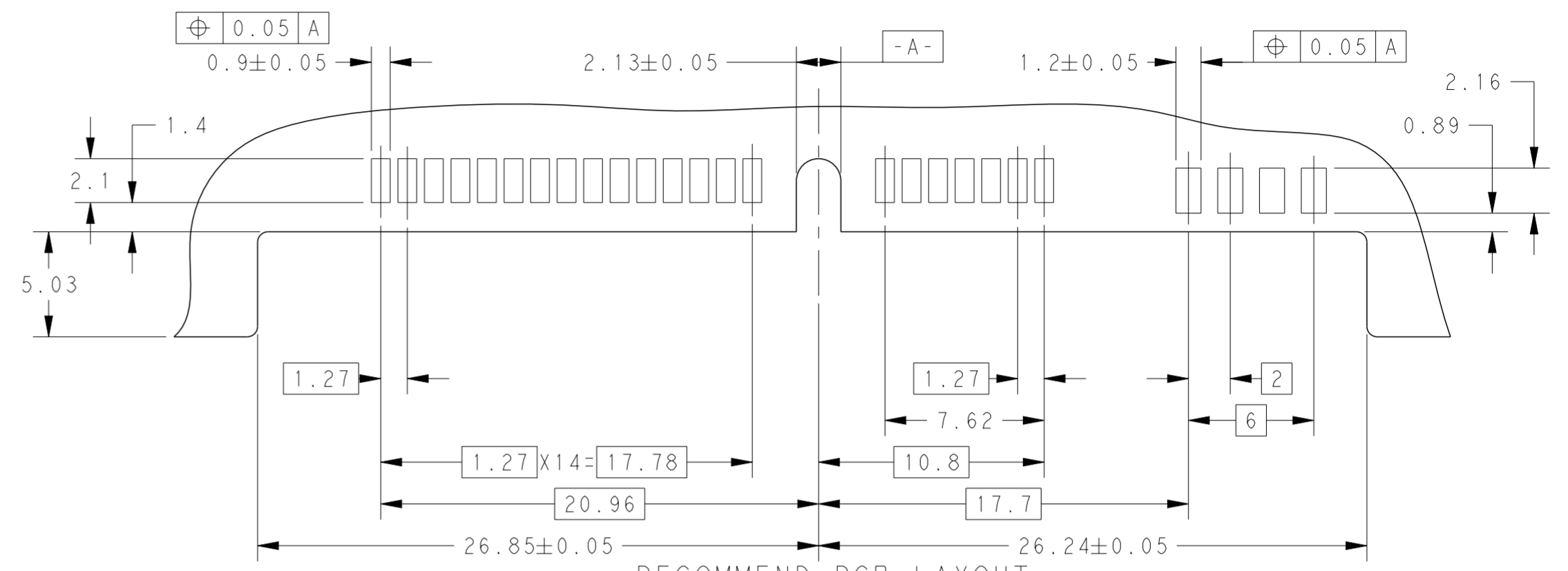
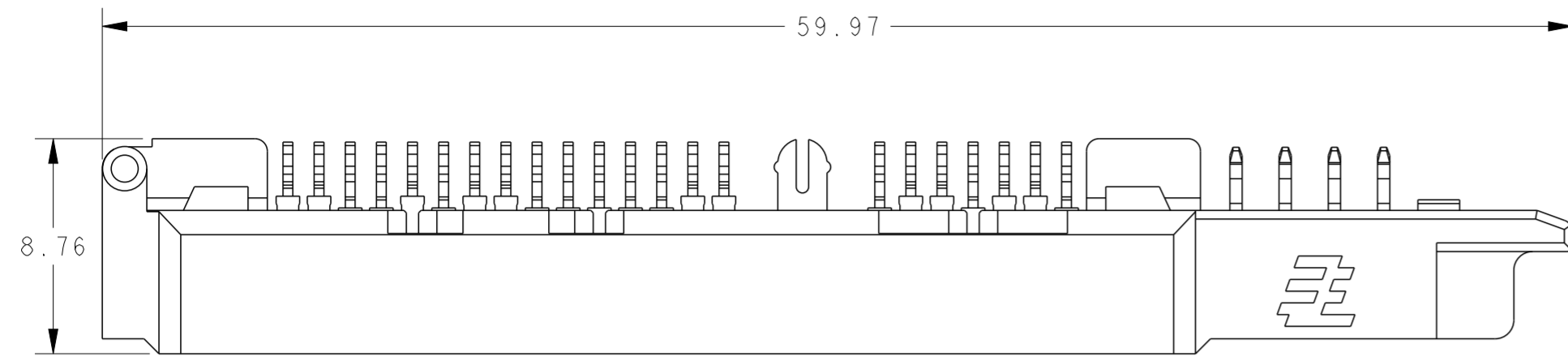
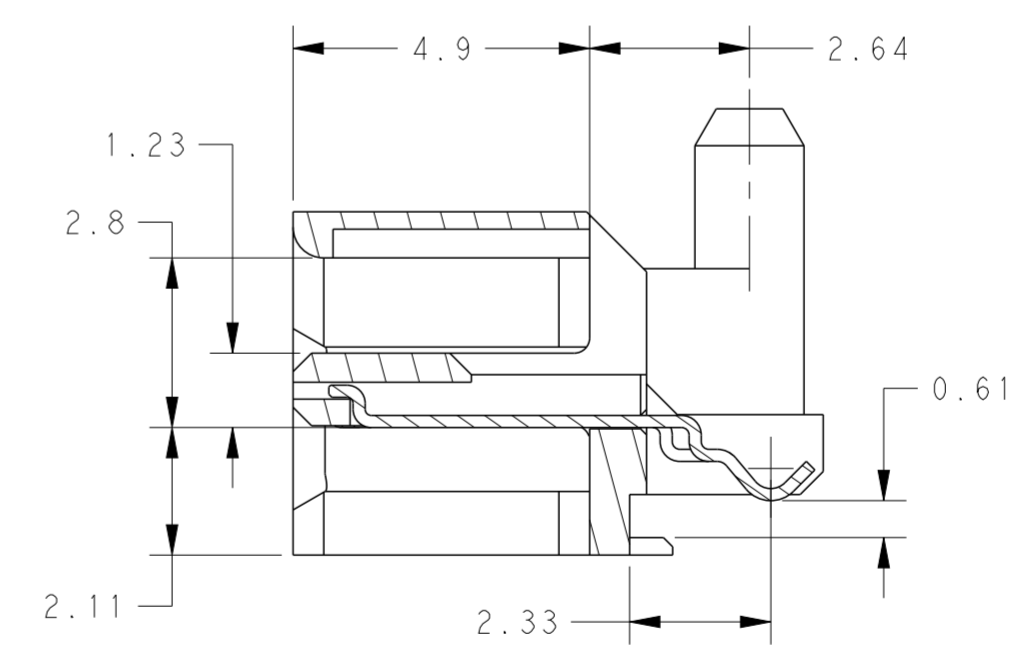
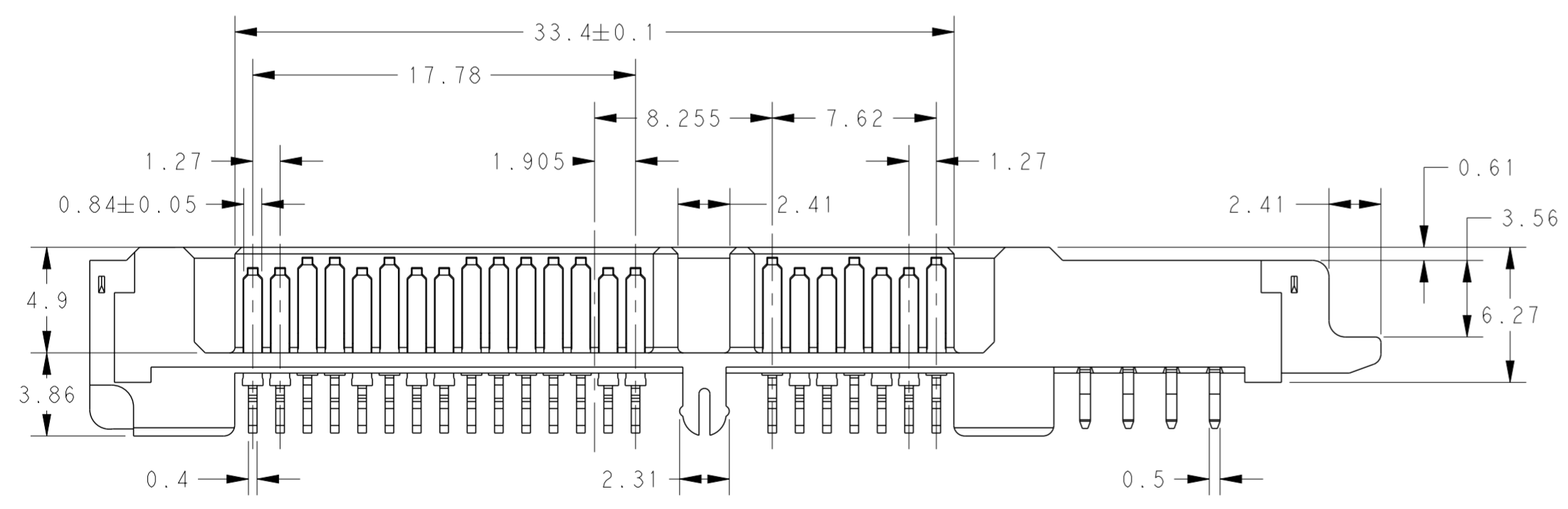
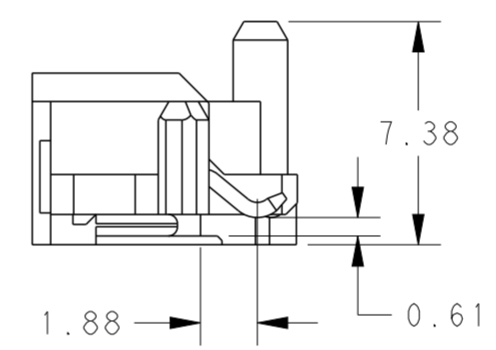
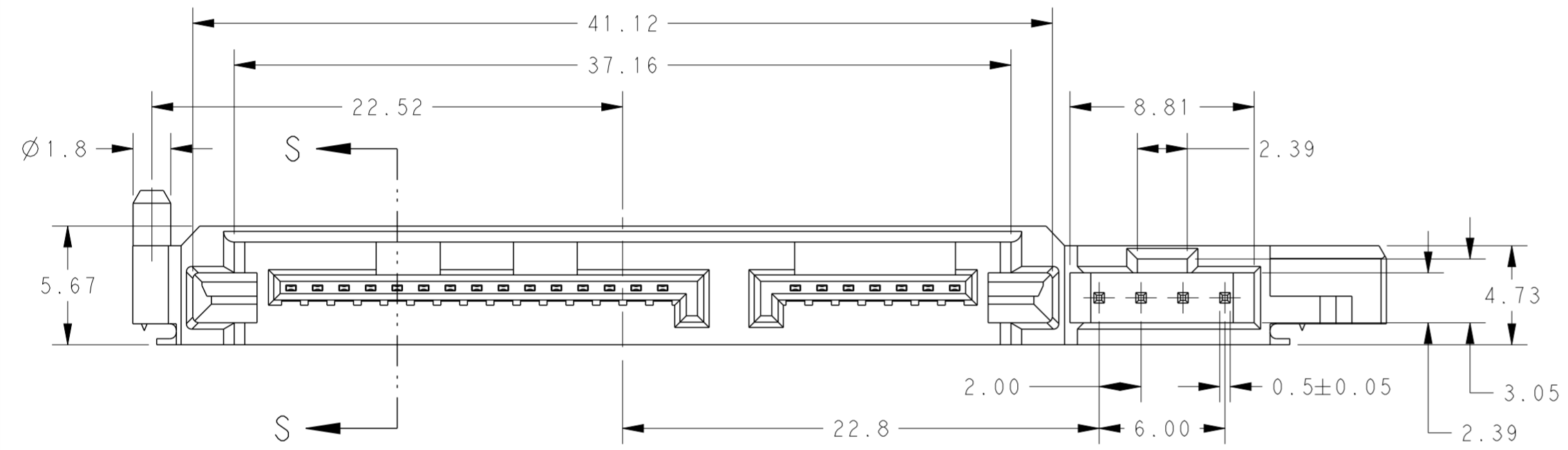


THIS DRAWING IS UNPUBLISHED. RELEASED FOR PUBLICATION 20
 © COPYRIGHT 20 BY - ALL RIGHTS RESERVED.

| REVISIONS | | | | | |
|-----------|-----|-------------|-----------|-----|------|
| P | LTR | DESCRIPTION | DATE | DWN | APVD |
| G1 | | RELEASED | 06FEB2014 | W.C | V.P |



RECOMMEND PCB LAYOUT
 TOLERANCE: ±0.1
 SCALE 4:1



SECTION S-S
 SCALE 8:1

- NOTES:
- MATERIAL:
 HOUSING: HIGH TEMPERATURE THERMOPLASTIC GLASS FILLED, UL94V-0, BLACK
 CONTACT: COPPER ALLOY
 SQ CONTACT: COPPER ALLPY
 - FINISH:
 CONTACT:
 0.00038mm MIN. AU PLATING ON CONTACT AREA
 0.00191mm MIN. TIN PLATING ON SOLDERING AREA
 0.00127mm MIN. NICKEL UNDERPLATING ALL OVER.
 SQ CONTACT:
 0.00012mm MIN. AU PLATING ON CONTACT AREA
 0.00191mm MIN. TIN PLATING ON SOLDERING AREA
 0.00127mm MIN. NICKEL UNDERPLATING ALL OVER.

| | | | | |
|--|--|------------------------------|---|-----------------|
| THIS DRAWING IS A CONTROLLED DOCUMENT. | | DWN W. CHEN 06FEB2014 | TE Connectivity | |
| DIMENSIONS: mm | | CHK V. PENG 06FEB2014 | | |
| TOLERANCES UNLESS OTHERWISE SPECIFIED: | | APVD V. PENG 06FEB2014 | NAME CONNECTOR, 2.5", SATA PLUG 15+7+4P | |
| 0 PLC ±0.25 1 PLC ±0.25 2 PLC ±0.25 3 PLC ±0.25 4 PLC ±0.25 ANGLES ±5 FINISH - | | PRODUCT SPEC | SIZE A2 | CAGE CODE - |
| MATERIAL | | APPLICATION SPEC | DRAWING NO C-84998 | RESTRICTED TO |
| | | WEIGHT | SCALE 4:1 | SHEET 1 OF 1 |
| | | CUSTOMER DRAWING | REV G1 | |