

MICRO SWITCH

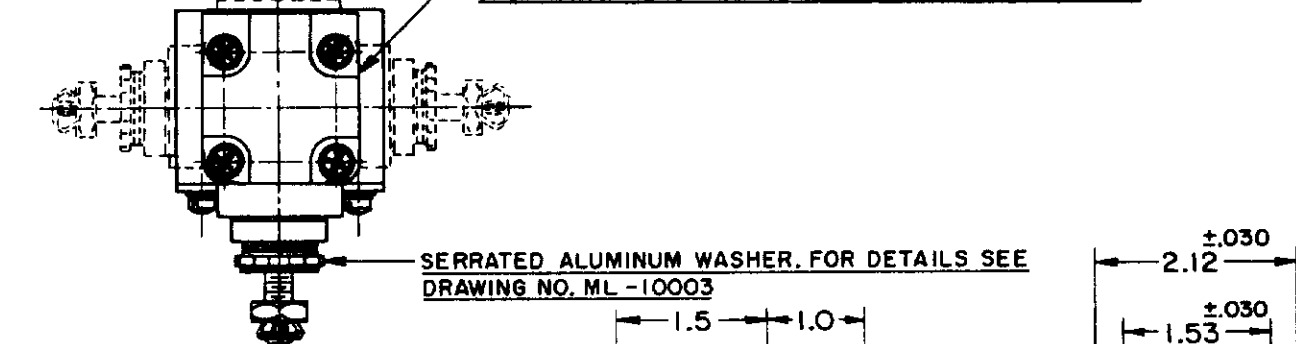
SWITCH - ENCLOSED

CATALOG LISTING
151ML2

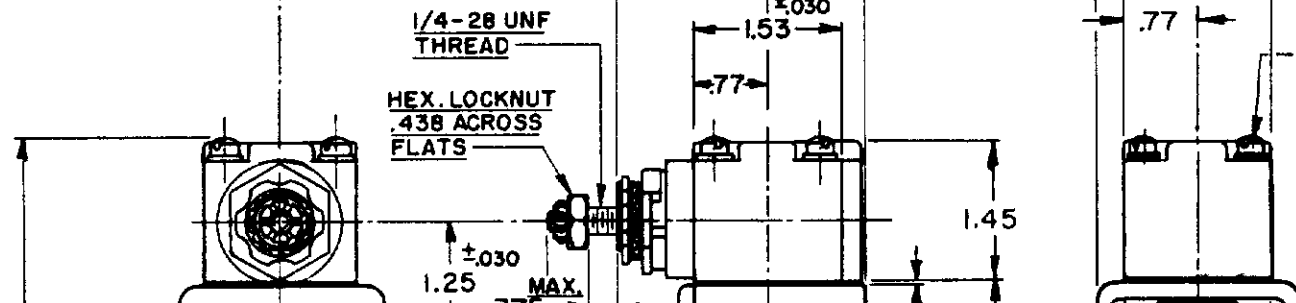
THIS DRAWING COVERS A PROPRIETARY ITEM AND IS THE PROPERTY OF MICRO SWITCH A DIVISION OF HONEYWELL THIS DRAWING IS NOT TO BE COPIED OR USED WITHOUT THE APPROVAL OF MICRO SWITCH



OPERATING HEAD MOUNTS IN ANY OF FOUR POSITIONS.

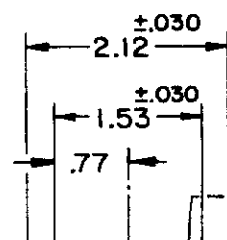


SERRATED ALUMINUM WASHER. FOR DETAILS SEE DRAWING NO. ML - 10003

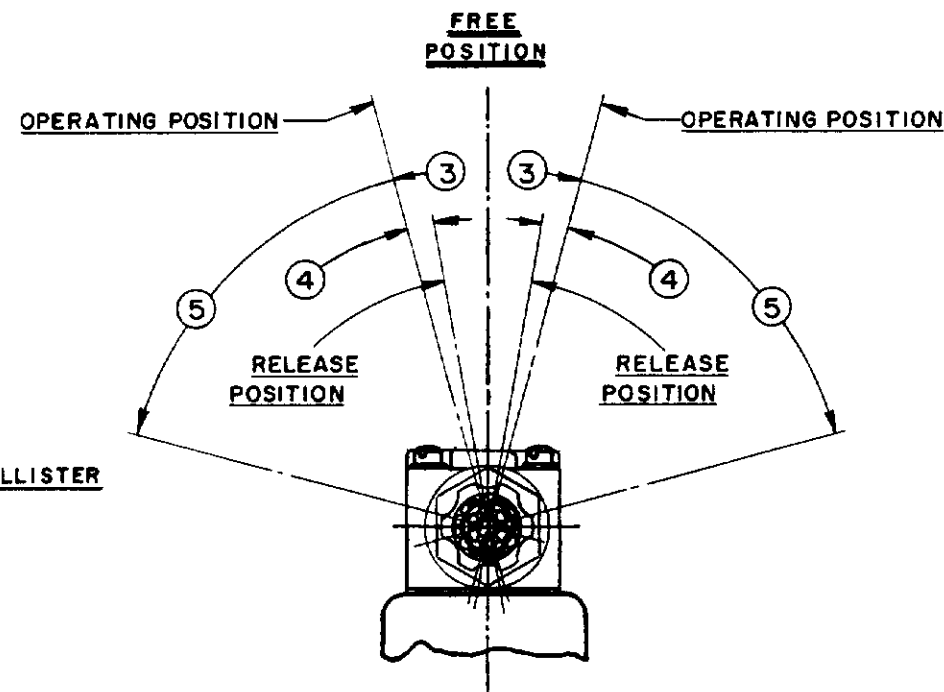


1/4-28 UNF THREAD

HEX. LOCKNUT
.438 ACROSS
FLATS



(4) 10-24 NC X 1.562^{REF.} COMBO FILLISTER HEAD SCREW AND WASHER (SEMS), RETAINED TO HOUSING



6.06 ±.030

1.06

1.25 ±.030 MAX.

.375

1.45

4.56 ±.030

3.375 ±.010

.25^{R.}

.62 ±.030

.75 ±.010

1.50 ±.030

1.92 ±.030

2.16 ±.030

3.19 ±.030

.31

1.45 ±.030

2.16 ±.030

3.19 ±.030

±.010
406 DIA.

±.030

±.010

±.030

±.010

±.030

±.030

±.010

±.030

±.010

±.030

±.010

±.030

±.010

±.030

±.010

±.030

±.010

±.030

±.010

±.030

±.010

±.030

±.010

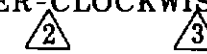
±.030

±.010

±.030

NOTES

- 1 - IT IS ESSENTIAL TO PREVENT ENTRANCE OF HARMFUL AGENTS THRU THE CONDUIT OPENING TO OBTAIN THE FULL BENEFIT OF THE SEALED CONSTRUCTION PROVIDED IN THIS UNIT
- 2
- 3
- 4 - SWITCH IS ASSEMBLED FOR ACTUATION IN EITHER DIRECTION TO CONVERT SWITCH FOR ACTUATION EITHER CLOCKWISE OR COUNTER CLOCKWISE DIRECTION ONLY, REMOVE THE HEAD AND SLIDE THE CAM TOWARD THE REAR OF THE HEAD SUFFICIENTLY TO DISENGAGE FROM THE FLATS ON THE SHAFT. ROTATE THE CAM 90° IN THE OPPOSITE DIRECTION OF THE ACTUATION DESIRED AND RE-ENGAGE THE CAM WITH THE FLATS ON THE SHAFT
- 4 - SHAFT MAY BE ADJUSTED TO ACTUATE THE SWITCH IN THE CLOCKWISE DIRECTION ONLY, THE COUNTER-CLOCKWISE DIRECTION ONLY OR IN BOTH DIRECTIONS



(4) HOLE 5/16 - 18 NC - 2 B THREAD .875^{+ .125}_{-.030} DEEP. SWITCH MAY BE MOUNTED WITH 5/16 SCREWS FROM BACK OR 1/4 CAP SCREWS FROM THE FRONT.

(4) 10-24 NC X .500^{REF.} COMBO FILLISTER HEAD SCREW AND WASHER (SEMS) RETAINED TO COVER.

RING TYPE SEAL BETWEEN COVER AND HOUSING.

1/2-14 N.P.T. THREAD

CHARACTERISTICS OPERATING TORQUE — 5 11/32 LBS-IN. MAX. FULL OVERTRAVEL TORQUE — 7 1/8 LBS-IN. MAX. RELEASE TORQUE — 7/16 LB-IN MIN. PRETRAVEL — ③ — 15° MAX. DIFFERENTIAL TRAVEL — ④ — 7° MAX. OVERTRAVEL — ⑤ — 60° MIN. SWITCH-BASIC REPLACEMENT — IMNI	ELECTRICAL DATA		SCALE 1/2 TO 1
	CONTACT ARRANGEMENT TWO CIRCUIT DOUBLE THROW DOUBLE BREAK	BREAK DISTANCE	DO NOT SCALE PRINT
	10 A-120, 240, 480, OR 600 VAC 1/2 HP-120 VAC, 1 HP-240 VAC 0.8 A-115 VDC, 0.4 A-230 VDC PILOT DUTY 600 VAC MAX		UL



WEIGHT

(M) 151ML2
ISSUE 3

151ML2

M

DRAWING NUMBER

10

ISSUE

5

5

4

APR. 58

RELEASE NO

58

APR. 58

4

APR. 58

58

APR. 58

58

58

58

58

58

58

58

58

58

74-963