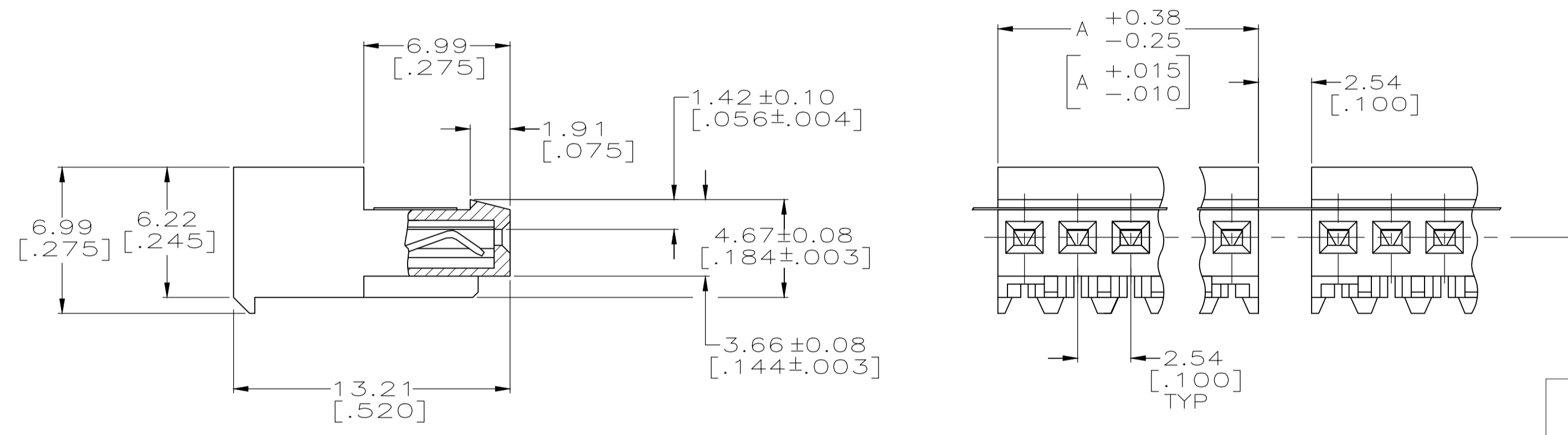
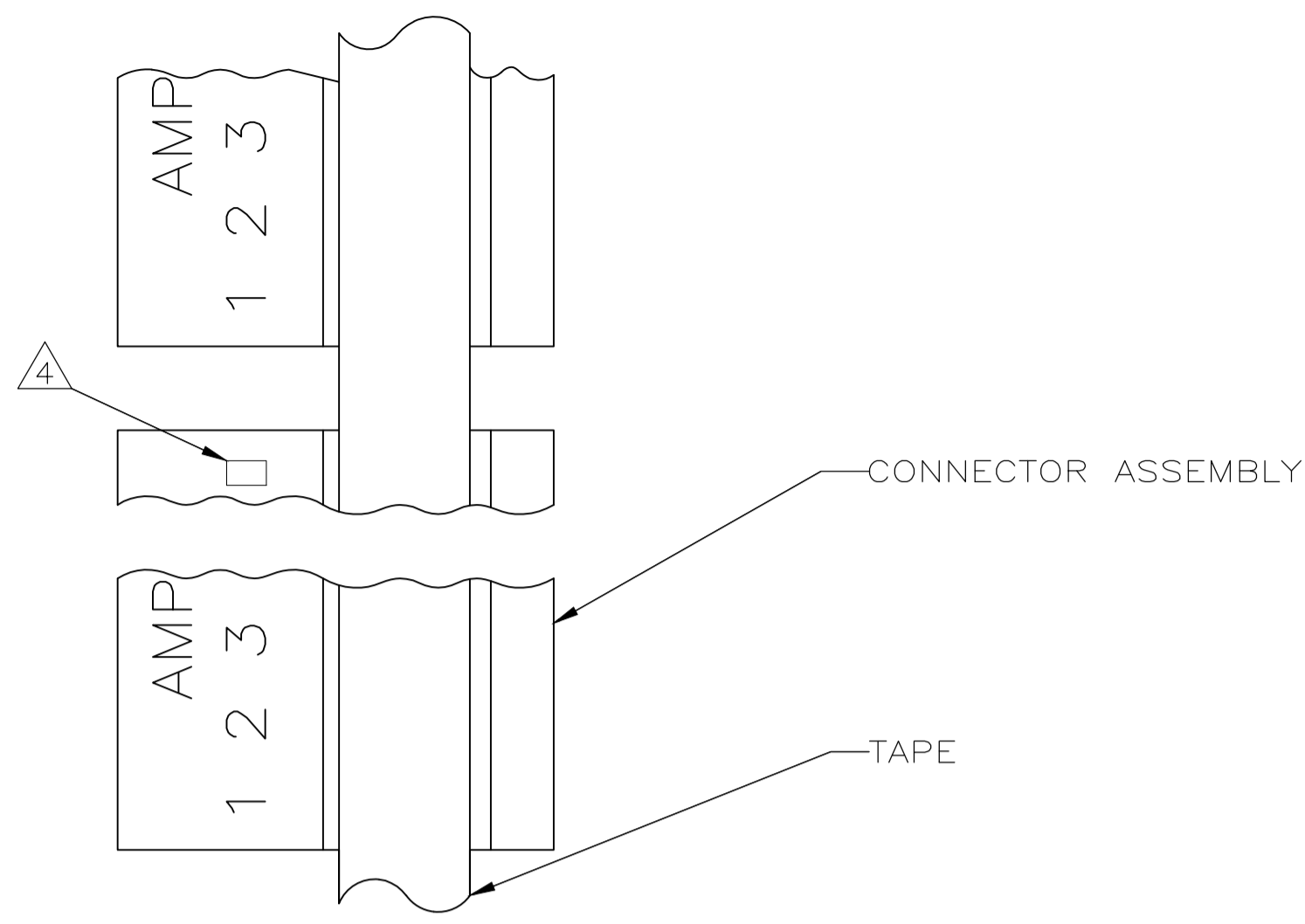


REVISIONS					
P	LTR	DESCRIPTION	DATE	DMN	APVD
W		REVISED PER ECR-20-000727	22MAY2020	PC	SW



- 1 MATERIAL: CONNECTOR-NYLON UL94V-2 (GREEN)
CONTACTS-0.30 [.012] THICK COPPER ALLOY
BRIGHT TIN-LEAD 0.00203 [.000080] MINIMUM THICK FOR CONTACTS
640471-2 THRU 2-640471-8,
MATTE WHISKER MITIGATED TIN PLATE 0.00203 [.000080] MINIMUM THICK OVER
NICKEL UNDERPLATE FOR CONTACTS 3-640471-2 THRU 5-640471-8.
- 2 CONTACTS ACCEPT 28 AWG WIRE WITH 1.52 [.060] MAXIMUM INSULATION DIAMETER.
- 3 CONTACTS MUST ACCEPT 0.64±0.03 [.025±.001] SQUARE POST AND REMAIN
LOCKED IN POSITION.
- 4 IDENTIFICATION NUMBER FOR LAST CIRCUIT MAY NOT APPEAR ON ALL ASSEMBLIES.
- 5 DIMENSIONS IN BRACKETS ARE IN INCHES.
- 6 HOUSING FEATURES ARE: CLOSED END WITH LOCKING RAMP.
- 7 OBSOLETE PARTS: OBSOLETE CIS STREAMLINING PER D.RENAUD/D.SINISI
- 8 OBSOLETE PARTS

71.12	[2.800]	28	5-640471-8
68.58	[2.700]	27	5-640471-7
66.04	[2.600]	26	5-640471-6
63.50	[2.500]	25	5-640471-5
60.96	[2.400]	24	5-640471-4
58.42	[2.300]	23	5-640471-3
55.88	[2.200]	22	5-640471-2
53.34	[2.100]	21	5-640471-1
50.80	[2.000]	20	5-640471-0
48.26	[1.900]	19	4-640471-9
45.72	[1.800]	18	4-640471-8
43.18	[1.700]	17	4-640471-7
40.64	[1.600]	16	4-640471-6
38.10	[1.500]	15	4-640471-5
35.56	[1.400]	14	4-640471-4
33.02	[1.300]	13	4-640471-3
30.48	[1.200]	12	4-640471-2
27.94	[1.100]	11	4-640471-1
25.40	[1.000]	10	4-640471-0
22.86	[.900]	9	3-640471-9
20.32	[.800]	8	3-640471-8
17.78	[.700]	7	3-640471-7
15.24	[.600]	6	3-640471-6
12.70	[.500]	5	3-640471-5
10.16	[.400]	4	3-640471-4
7.62	[.300]	3	3-640471-3
5.08	[.200]	2	3-640471-2
DIM A		NO.OF POSN	ASSEMBLY

71.12	[2.800]	28	2-640471-8
68.58	[2.700]	27	2-640471-7
66.04	[2.600]	26	2-640471-6
63.50	[2.500]	25	2-640471-5
60.96	[2.400]	24	2-640471-4
58.42	[2.300]	23	2-640471-3
55.88	[2.200]	22	2-640471-2
53.34	[2.100]	21	2-640471-1
50.80	[2.000]	20	2-640471-0
48.26	[1.900]	19	1-640471-9
45.72	[1.800]	18	1-640471-8
43.18	[1.700]	17	1-640471-7
40.64	[1.600]	16	1-640471-6
38.10	[1.500]	15	1-640471-5
35.56	[1.400]	14	1-640471-4
33.02	[1.300]	13	1-640471-3
30.48	[1.200]	12	1-640471-2
27.94	[1.100]	11	1-640471-1
25.40	[1.000]	10	1-640471-0
22.86	[.900]	9	640471-9
20.32	[.800]	8	640471-8
17.78	[.700]	7	640471-7
15.24	[.600]	6	640471-6
12.70	[.500]	5	640471-5
10.16	[.400]	4	640471-4
7.62	[.300]	3	640471-3
5.08	[.200]	2	640471-2
DIM A		NO.OF POSN	ASSEMBLY

SUPERSEDED
CONTAINS LEAD

8 SUPERSEDED

THIS DRAWING IS A CONTROLLED DOCUMENT.

DIMENSIONS: mm [INCHES]	TOLERANCES UNLESS OTHERWISE SPECIFIED:	DIN S. HOOVER 10-DEC-2004	TE Connectivity Ltd.
0 PLC ±	1 PLC ±	CIK: D. ROSSI 10-DEC-2004	MTA-100 CONNECTOR ASSEMBLY, 28 AWG, TAPE MOUNTED, STANDARD
2 PLC ±	3 PLC ±	APVD: D. ROSSI 10-DEC-2004	
4 PLC ±	ANGLES ±	NAME: PRODUCT SPEC 108-1050	RESTRICTED TO
MATERIAL	FINISH	APPLICATION SPEC 114-1019	SIZE: A1
		WEIGHT: 00779	DRAWING NO: 640471
		CUSTOMER DRAWING	SCALE: 5:1 SHEET 1 OF 1 REV W