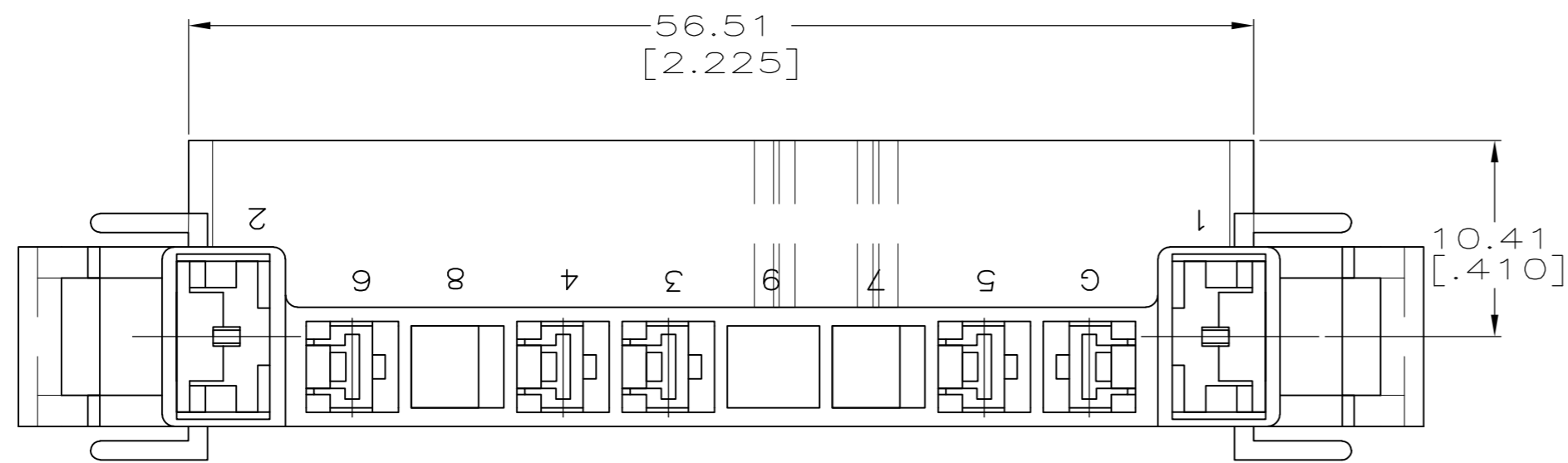
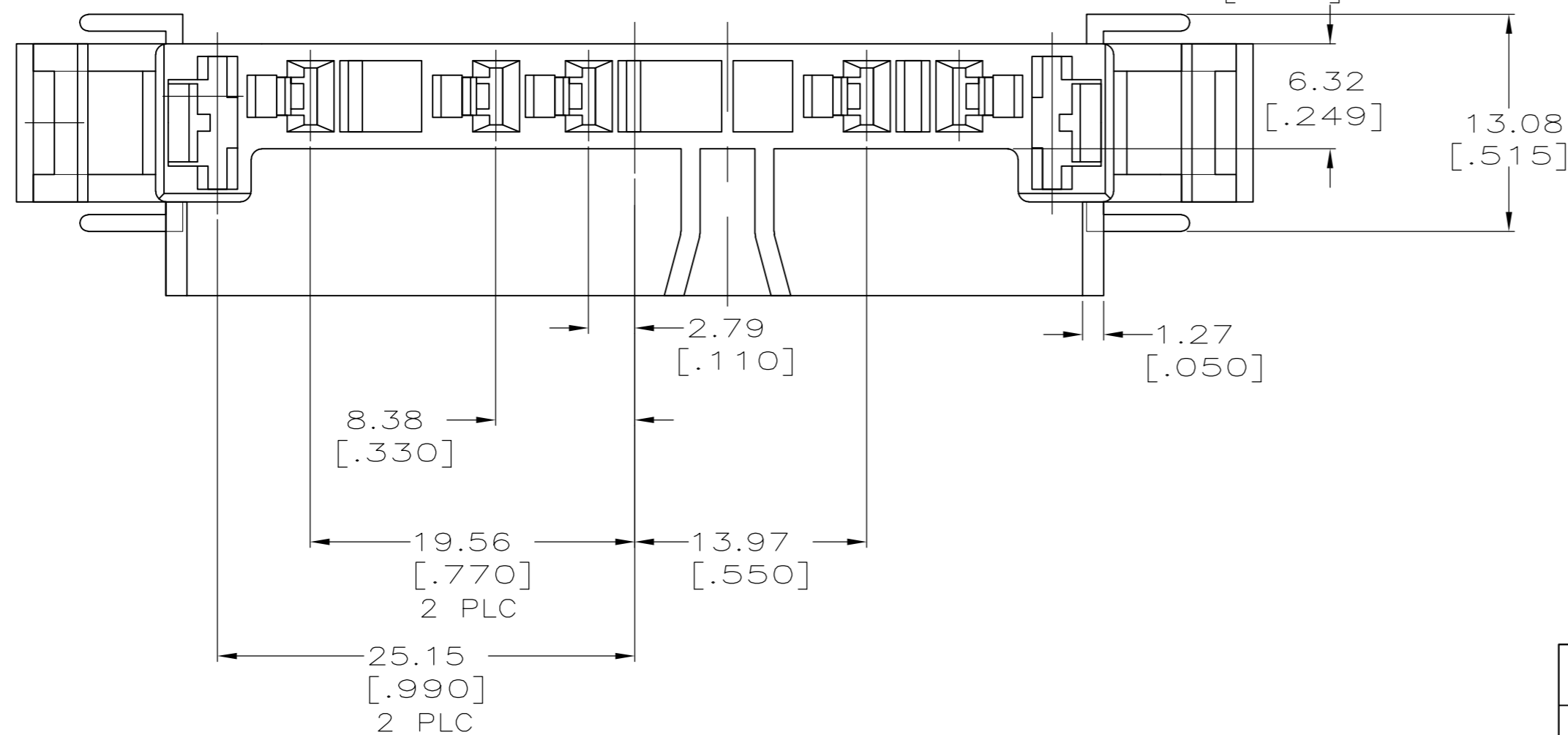
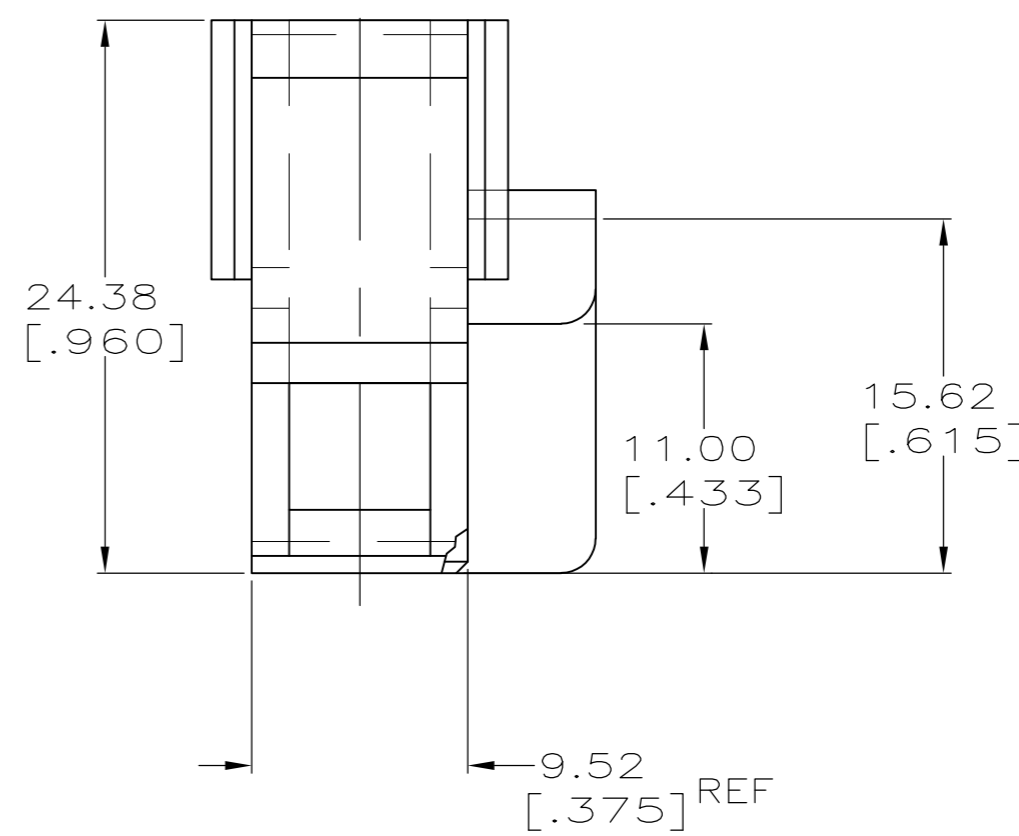
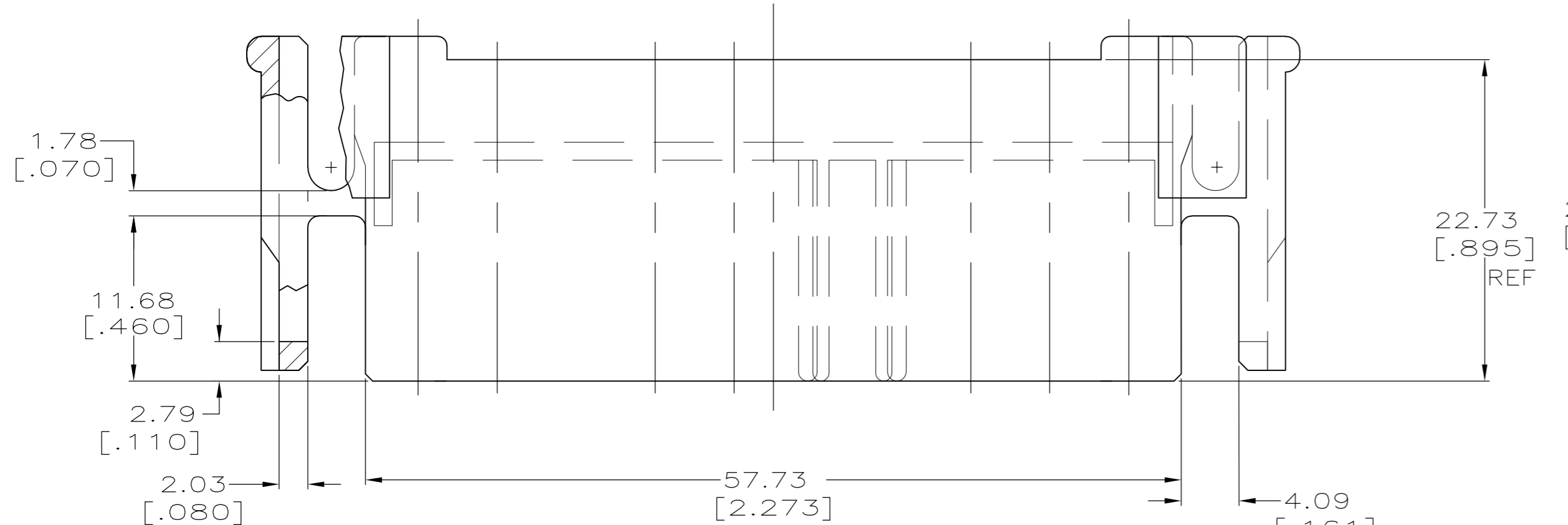


THIS DRAWING IS UNPUBLISHED. RELEASED FOR PUBLICATION
 © COPYRIGHT - By - ALL RIGHTS RESERVED.

LOC	DIST	REVISIONS			
P	LTR	DESCRIPTION	DATE	DWN	APVD
AF	50	G	REV PER ECO 13-003247	15APR13	JR GJ



- 1 POSITIONS 3 THRU 6 AND G ACCEPT 3.18 [.125] RECEPTACLE P/N 770642-1.
- 2 POSITIONS 1 AND 2 ACCEPT 6.35 [.250] SERIES L.I.F. FASTON RECEPTACLES P/N 63306-(), 63537-(), OR 63365-(). ALSO ACCEPTS FASTON P/N 280001-9.



521085-1
 PART NUMBER

THIS DRAWING IS A CONTROLLED DOCUMENT.		DWN M.S. FEHER 08DEC2005														
DIMENSIONS: MM [INCHES]		CHK D.F. DECKER 08DEC2005														
TOLERANCES UNLESS OTHERWISE SPECIFIED:		APVD D.F. DECKER 08DEC2005	NAME MOTOR HOUSING, DRYER, GEN II, 7 CIRCUIT													
<table border="0"> <tr><td>0 PLC</td><td>± -</td></tr> <tr><td>1 PLC</td><td>± -</td></tr> <tr><td>2 PLC</td><td>± 0.25 [.010]</td></tr> <tr><td>3 PLC</td><td>± -</td></tr> <tr><td>4 PLC</td><td>± -</td></tr> <tr><td>ANGLES</td><td>± -</td></tr> </table>		0 PLC	± -	1 PLC	± -	2 PLC	± 0.25 [.010]	3 PLC	± -	4 PLC	± -	ANGLES	± -	PRODUCT SPEC -	SIZE A2	CAGE CODE 00779
0 PLC	± -															
1 PLC	± -															
2 PLC	± 0.25 [.010]															
3 PLC	± -															
4 PLC	± -															
ANGLES	± -															
MATERIAL NYLON, TYPE 6/6		FINISH COLOR-NATURAL	WEIGHT -	DRAWING NO 521085												
		CUSTOMER DRAWING		RESTRICTED TO -												
		SCALE 3:1	SHEET 1 of 1	REV G												