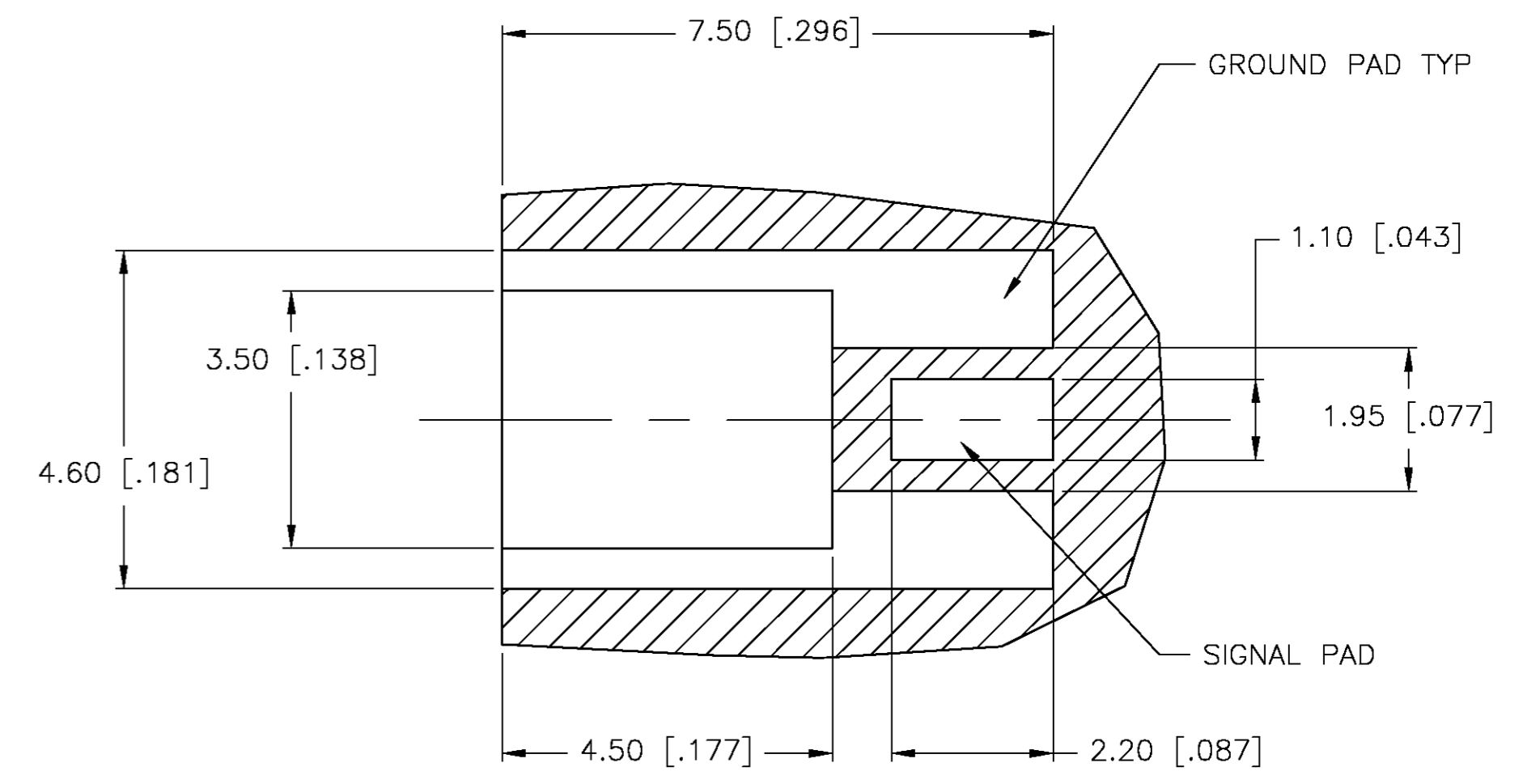
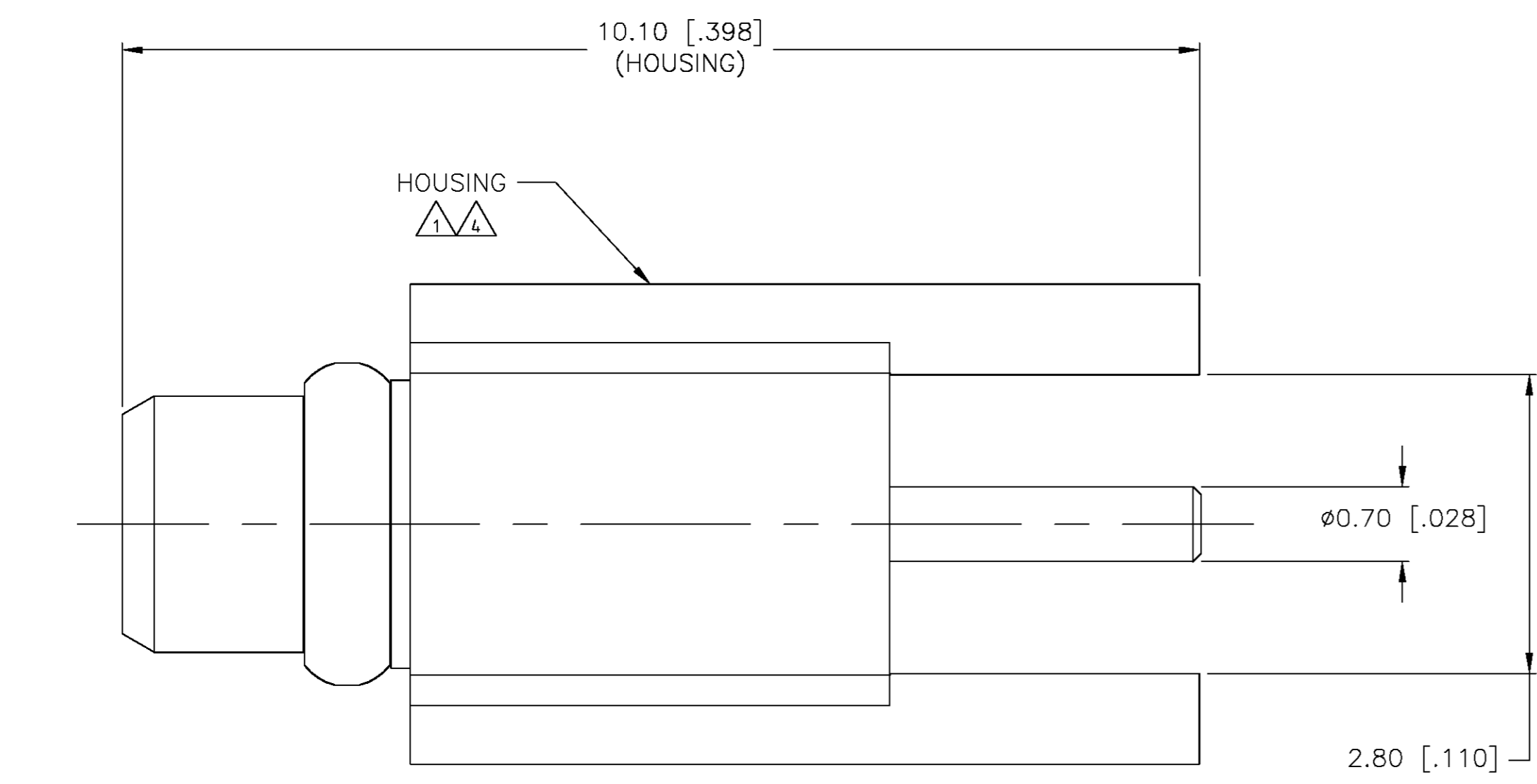
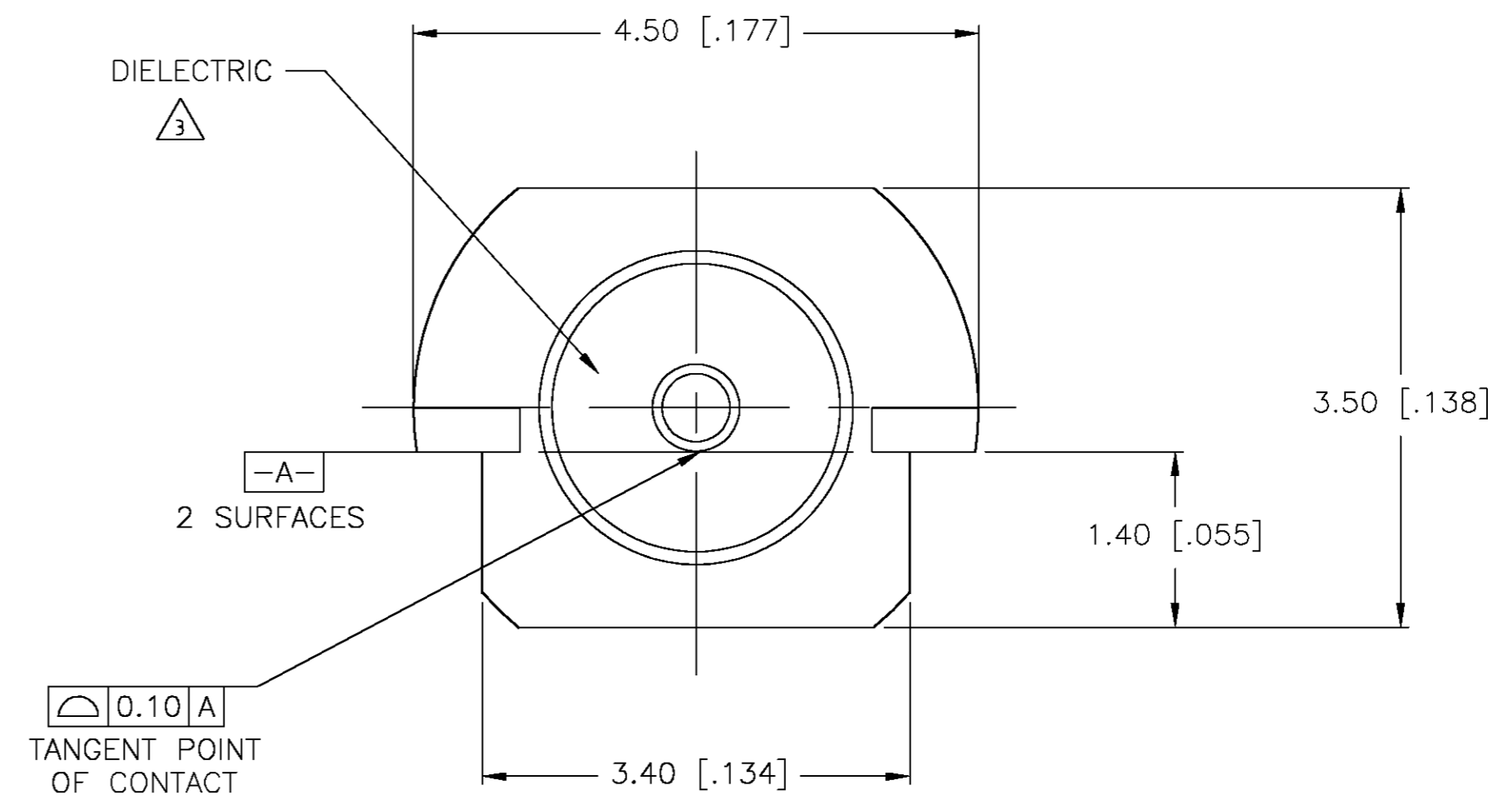
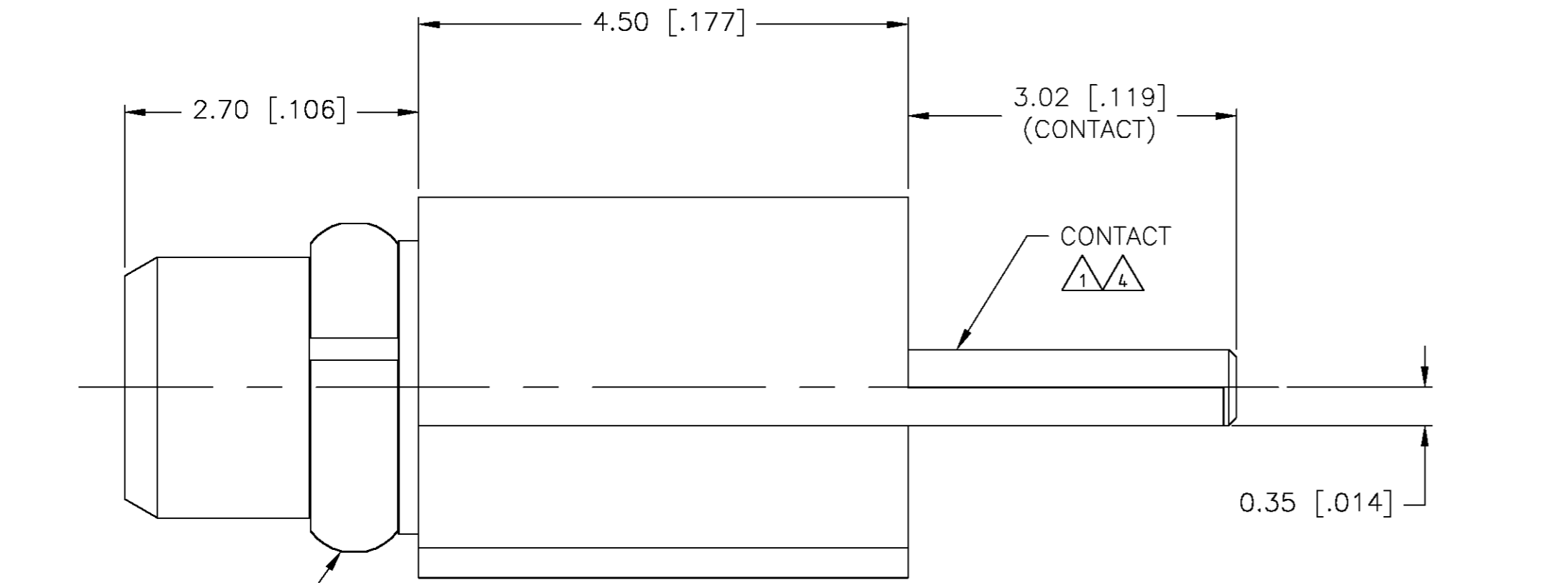


THIS DRAWING IS UNPUBLISHED. RELEASED FOR PUBLICATION  
 © COPYRIGHT BY TYCO ELECTRONICS CORPORATION. ALL RIGHTS RESERVED.

Loc		DIST		REVISIONS			
P	LTR	DESCRIPTION		DATE	DWN	APVD	
AJ	-	B	REV PER 0514-0018-03	27JAN03	KW	KW	



SOLDER PAD CONFIGURATION ONLY  
(SCALE 12:1)

- 1 BRASS PER ASTM-B-16
- 2 BERYLLIUM COPPER PER ASTM-B-196
- 3 PTFE PER ASTM-D-1710
- 4 GOLD PLATE PER MIL-G-45204

1408120-1  
PART NUMBER

THIS DRAWING IS A CONTROLLED DOCUMENT.		DWN	RMF	17DEC2001	<b>tyco</b> Electronics	Tyco Electronics Corporation Middletown, PA 17057	
DIMENSIONS: MM [INCHES]		CHK	RMF	02NOV00		NAME	
TOLERANCES UNLESS OTHERWISE SPECIFIED:		APVD	RMF	02NOV00	PRODUCT SPEC		MMCX EDGE LAUNCH PCB PLUG
0 PLC ± -		APPLICATION SPEC		108-2084			
1 PLC ± 0.26 [.010]		SIZE	A2	CAGE CODE	00779	DRAWING NO	RESTRICTED TO
2 PLC ± 0.13 [.005]		WEIGHT	0.20G/.007 OZ	C=1408120		SCALE	
3 PLC ± -		CUSTOMER DRAWING		SCALE	20:1	SHEET	1 OF 1
4 PLC ± -				SCALE	20:1	SHEET	1 OF 1
ANGLES ± 1				SCALE	20:1	SHEET	1 OF 1
FINISH -				SCALE	20:1	SHEET	1 OF 1