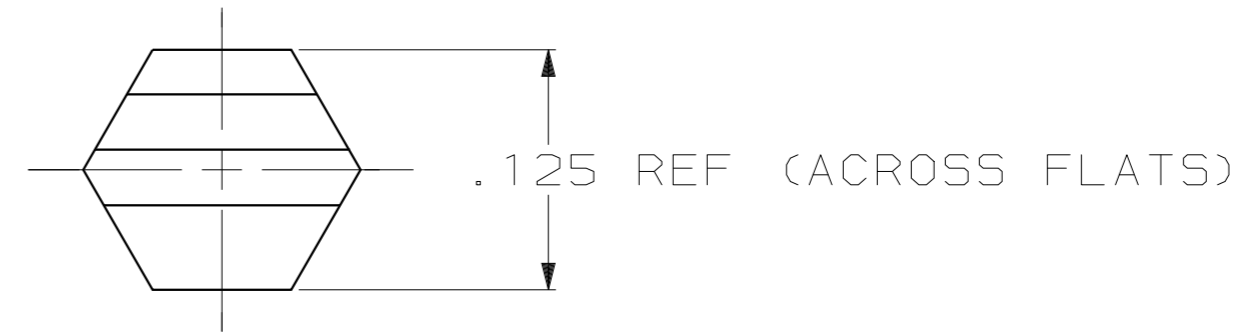
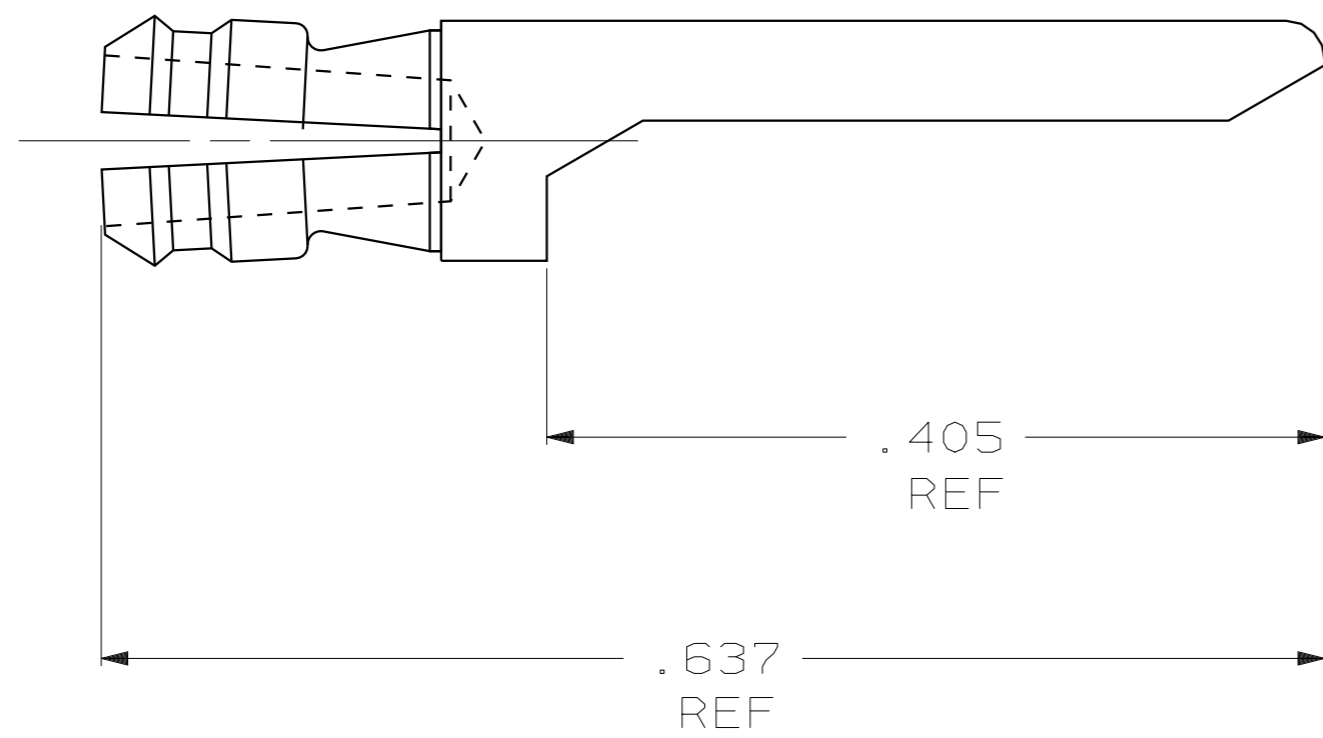
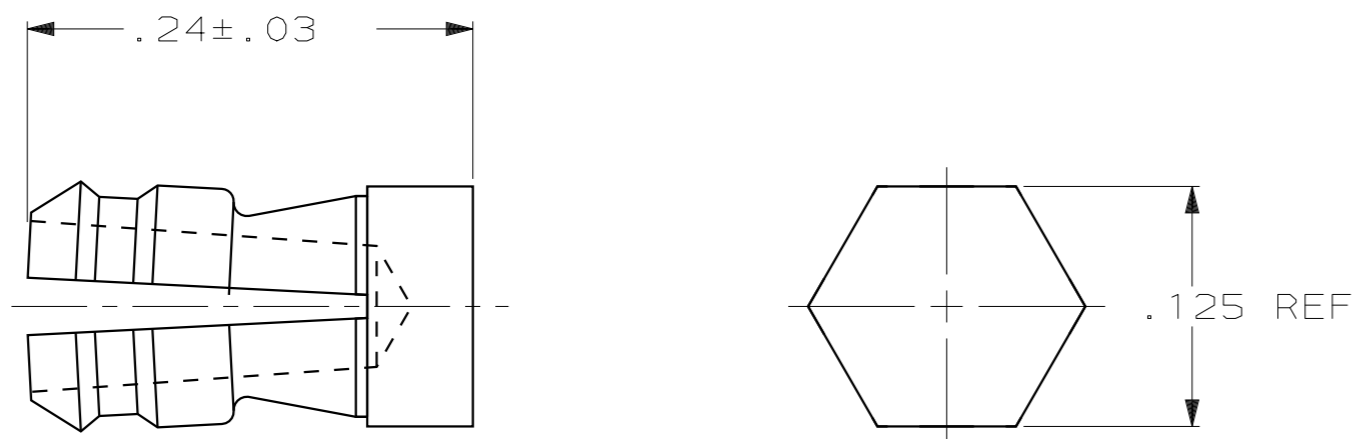


THIS DRAWING IS UNPUBLISHED. RELEASED FOR PUBLICATION ,19  
 © COPYRIGHT 19 BY AMP INCORPORATED. ALL RIGHTS RESERVED.

| LOC |     | DIST                 |         | REVISIONS |      |  |  |
|-----|-----|----------------------|---------|-----------|------|--|--|
| P   | LTR | DESCRIPTION          | DATE    | DWN       | APVD |  |  |
| H   |     | REV PER 0H14-0867-04 | 12-9-04 | CT        | SG   |  |  |



213384-1 ONLY



DETAIL T  
213384-4 ONLY

|              |             |
|--------------|-------------|
| SEE DETAIL T | 213384-4    |
| AS SHOWN     | 213384-1    |
| DESCRIPTION  | PART NUMBER |

|   |          |              |                  |                |   |  |                 |
|---|----------|--------------|------------------|----------------|---|--|-----------------|
| THIS DRAWING IS A CONTROLLED DOCUMENT.                                |          | DWN          | C.C. THOMAS      | 12-8-04        | <br><br>TYCO Electronics<br>Harrisburg, PA 17105-3608 |  |                 |
| DIMENSIONS: INCHES  |          | CHK          | S. GLATFELTER    | 12-8-04        |   |  |                 |
| TOLERANCES UNLESS OTHERWISE SPECIFIED:                                |          | APVD         | S. GLATFELTER    | 12-8-04        |   |  |                 |
| 0 PLC ±-<br>1 PLC ±-<br>2 PLC ±-<br>3 PLC ±-<br>4 PLC ±-<br>ANGLES ±- |          | PRODUCT SPEC | -                |                |   |  |                 |
| MATERIAL  | ALUMINUM | FINISH       | CHROMATE COATION | PER MIL-C-5541 | APPLICATION SPEC                                      | -  |                 |
| CUSTOMER DRAWING  |          | WEIGHT       | -                |                | NAME  | HEXAGONAL KEY WIRE INTERGRATION UNIT CONNECTOR |                 |
| SCALE 10:1  |          | SHEET        | 1 OF 1           |                | SIZE  | A2   | CAGE CODE 00779 |
| REV H   |          | DRAWING NO   |                  | 213384         |   | RESTRICTED TO                                  |                 |