

4

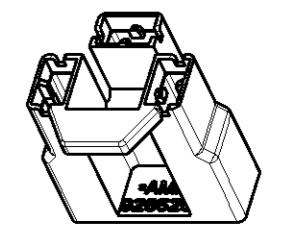
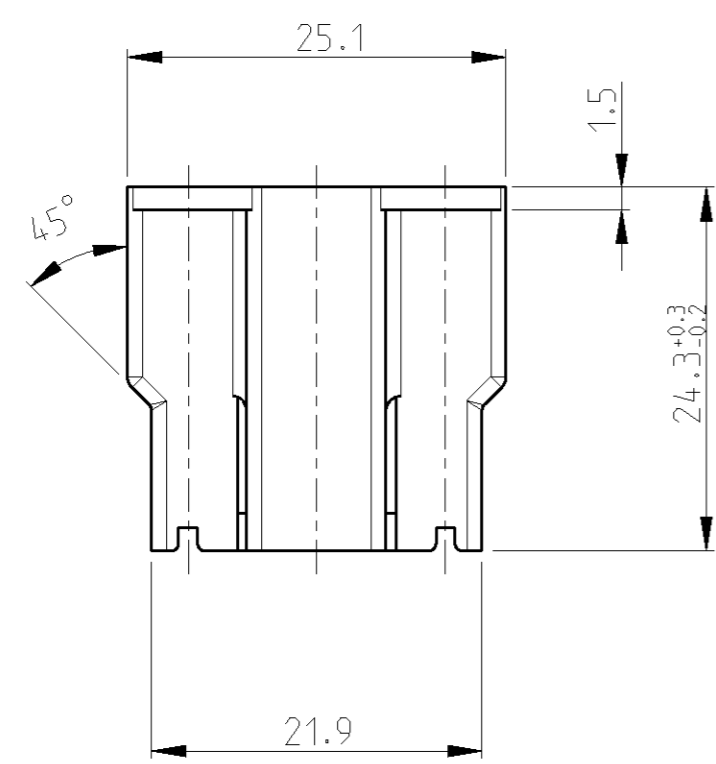
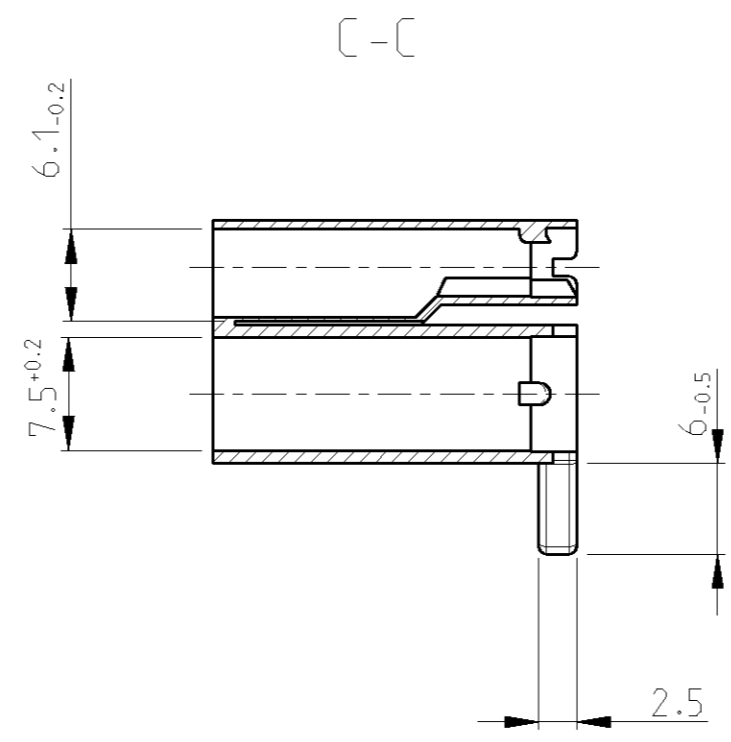
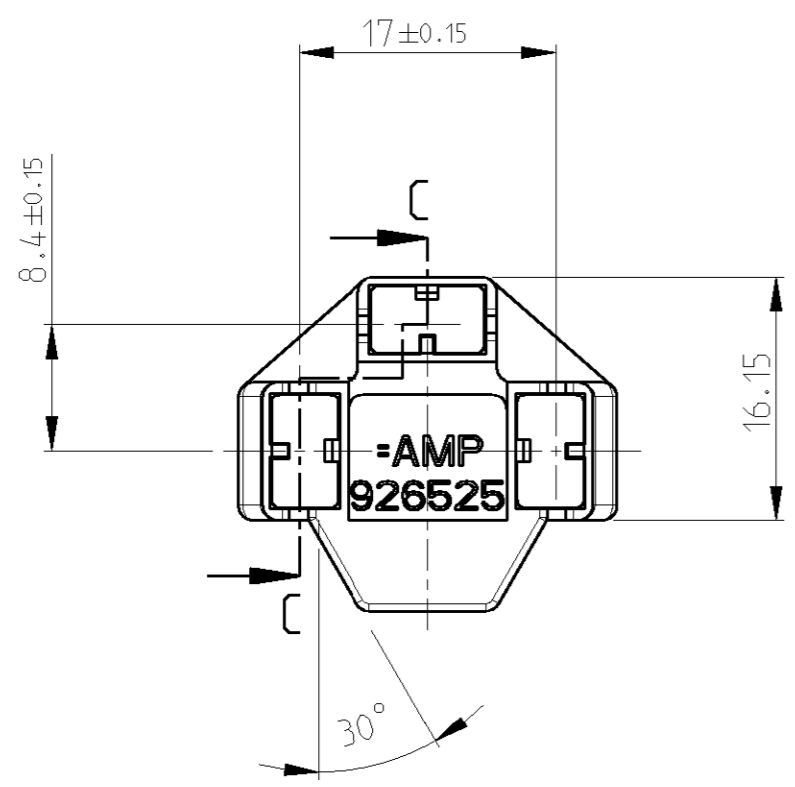
3

2

1

THIS DRAWING IS UNPUBLISHED. RELEASED FOR PUBLICATION 2005  
 © COPYRIGHT 2005 BY TYCO ELECTRONICS CORPORATION. ALL RIGHTS RESERVED.

LOC	DIST	REVISIONS				
P	LTR	DESCRIPTION	DATE	DWN	APVD	
A1	-	L1	NEW CAD DRAWING CREATED	18NOV2005	Abr	Goep
		L2	Dim.24.3+0.3/-0.2 was 24.13	08DEC2005	Abr	Goep



1:1

PA 6.6	BLACK	926525-1	L
MATERIAL	COLOUR	PART NUMBER	REV

THIS DRAWING IS A CONTROLLED DOCUMENT FOR TYCO ELECTRONICS CORPORATION IT IS SUBJECT TO CHANGE AND THE CONTROLLING ENGINEERING ORGANIZATION SHOULD BE CONTACTED FOR THE LATEST REVISION.		DWN 18NOV2005 Abraham.G.	<b>tyco</b> <b>Electronics</b>		tyco Electronics AMP GmbH 64625 Bensheim (Germany)	
DIMENSIONS: mm		CHK 22NOV05 Goepfel.C.			NAME 3 POS.POS.-LOCK HOUSING ( HEATER ) 3 pol. Pos.-Lock Gehaeuse ( Heizgeblaese )	
TOLERANCES UNLESS OTHERWISE SPECIFIED: 0 PLC ±0.2 1 PLC ±0.2 2 PLC ±0.2 3 PLC ±0.2 4 PLC ±0.2 ANGLES ±1°30'		APVD -	PRODUCT SPEC 108-18112-1		RESTRICTED TO	
MATERIAL -		FINISH -	APPLICATION SPEC -		SIZE A3	CAGE CODE 00779
			WEIGHT -		DRAWING NO C=926525	REV L2
CUSTOMER DRAWING			SCALE 2:1	SHEET 1 OF 1		