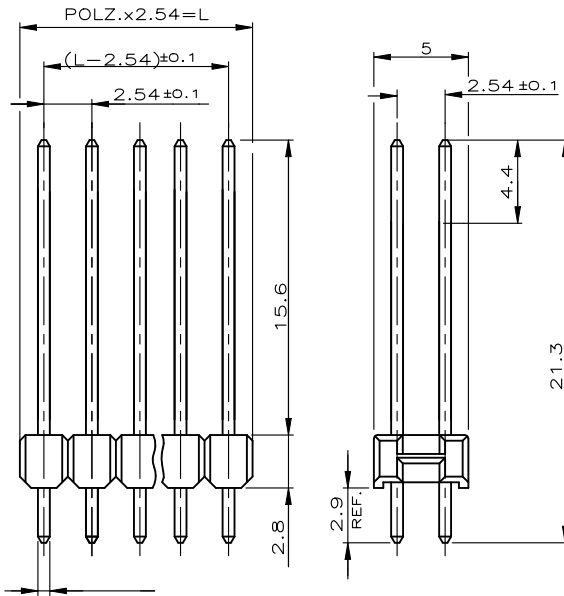


REVISIONS

P	LTR	DESCRIPTION	DATE	DWN	APVD
	C1	NOTE 1 0.76µm PLATING UPDATE (PdNi+AuFLASH)	14JUL2023	BGC	PS

POLZ. PRO REIHE	L ±0.4	BESTELL-NR.
-	-	
2	5.08	828 132 2
3	7.62	-3
4	10.16	-4
5	12.70	-5
6	15.24	-6
7	17.78	-7
8	20.32	-8
9	22.86	-9
10	25.40	-0
11	27.94	-1
12	30.48	-2
13	33.02	-3
14	35.56	-4
15	38.10	-5
16	40.64	-6
17	43.18	-7
18	45.72	-8
19	48.26	-9
20	50.80	-0
21	53.34	-1
22	55.88	-2
23	58.42	-3
24	60.96	-4
25	63.50	-5
26	66.04	-6
27	68.58	-7
28	71.12	-8
29	73.66	-9
30	76.20	3-0
31	78.74	3-1
32	81.28	3-2
33	83.82	3-3
34	86.36	3-4
35	88.90	3-5
36	91.44	3-6
37	93.98	3-7
38	96.52	3-8
39	99.06	3-9
40	101.60	4-0
41	104.14	4-1
42	106.68	4-2
43	109.22	4-3
44	111.76	4-4
45	114.30	4-5
46	116.84	4-6
47	119.38	4-7
48	121.92	4-8
49	124.46	4-9
50	127.00	5 828 132 0



□0.63

STECKSEITE: IM BEREICH "F" 0.76µm (PdNi + Au FLASH)
(alternative plating – min 0.76µm au plating)
ÜBER 1.27µm NICKEL

LÖTSEITE: MIN. 2.5µm ZINN ÜBER 1.27µm NICKEL

OBSELETE PARTS: OBSELETE CIS STREAMLINING PER D.RENAUD/D.SINISI

KONTAKTSTIFT	Cu Zn	
STIFTGEHÄUSE	PBT GV	GRÜN
BENENNUNG	WERKSTOFF	OBERFLÄCHE
		FARBE

TE Connectivity. All Rights Reserved.



DIMENSIONS:	DWN	31.08.89
mm	G.HOLAUS	
TOLERANCES UNLESS OTHERWISE SPECIFIED:	CHK	-
±0.2	SCHAAR.	
0 PLC ± -	APVD	-
1 PLC ± -	PRODUCT SPEC	
2 PLC ± -	108-18012	
3 PLC ± -	APPLICATION SPEC	
4 PLC ± -		
ANGLES ± -	WEIGHT	-

MATERIAL	-	FINISH	-
		TE Connectivity	
		NAME	
AMPMODU II STIFTLISTE ZWEIREIHIG			
SIZE	CAGE CODE	DRAWING NO	RESTRICTED TO
A4	00779	C-828132	-

CUSTOMER DRAWING	SCALE	4:1	SHEET	1 OF 1	REV	C1
------------------	-------	-----	-------	--------	-----	----