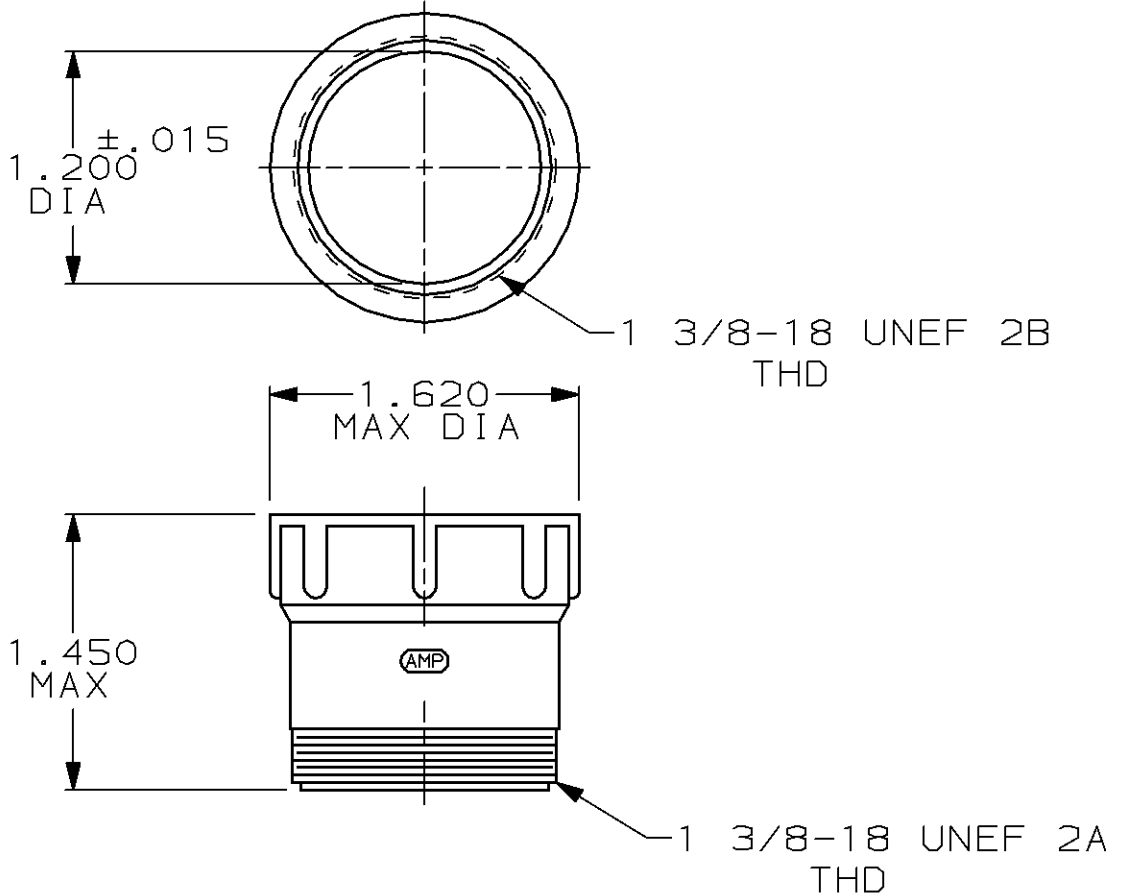


LOC	DIST	REVISIONS					
		P	LTR	DESCRIPTION	DATE	DWN	APVD
BD	35		B	REDRAWN	31 JUL 90	-	KB
			C	REVISE PER EC 0020-750-95	26 JUL 95	CR	RB



THIS DRAWING IS UNPUBLISHED.

ALL RIGHTS RESERVED.

BY AMP INCORPORATED.
COPYRIGHT 19

207055-1
PART NUMBER

DIMENSIONS: INCHES	DWN S. RIDGLEY	31 JUL 90	MATERIAL GLASS FILLED NYLON	FINISH -
	CHK R. STONE	26 APR 91	AMP Incorporated Harrisburg, PA 17105-3608	
TOLERANCES UNLESS OTHERWISE SPECIFIED:	APVD K. BEAVER	30 APR 91		
0 PLC ±-	PRODUCT SPEC	-	SIZE A4	CAGE CODE 00779
1 PLC ±-	APPLICATION SPEC	-	DRAWING NO C-207055	SCALE 1:1
2 PLC ±-	WEIGHT	-	SHEET 1 OF 1	REV C
3 PLC ±-	CUSTOMER DRAWING			
4 PLC ±-				
ANGLES ±-				

