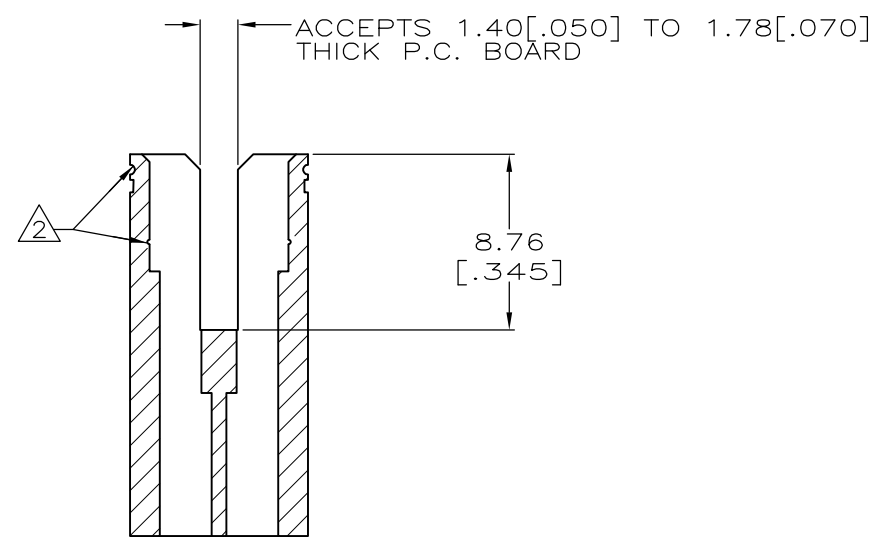
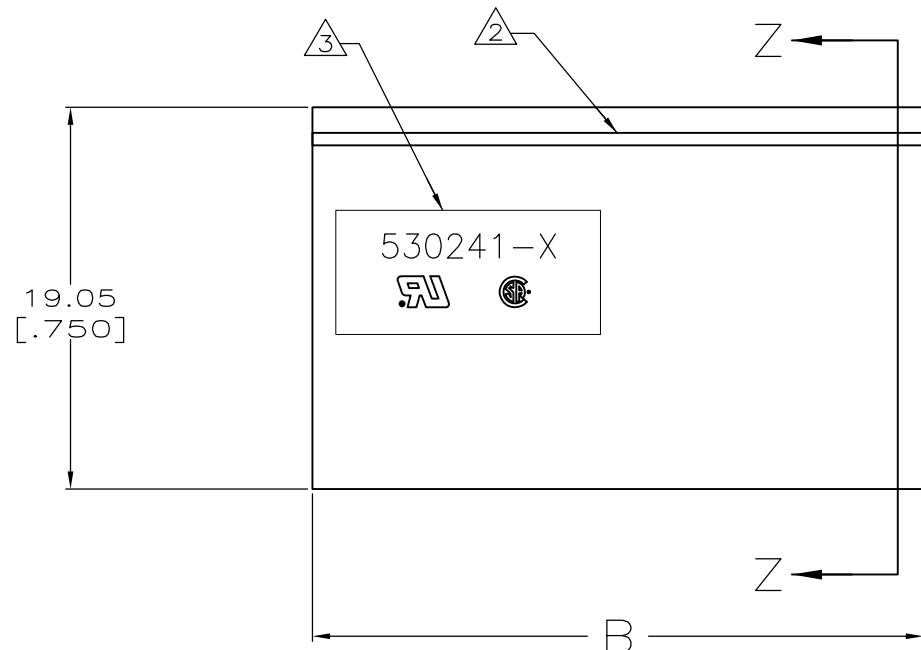
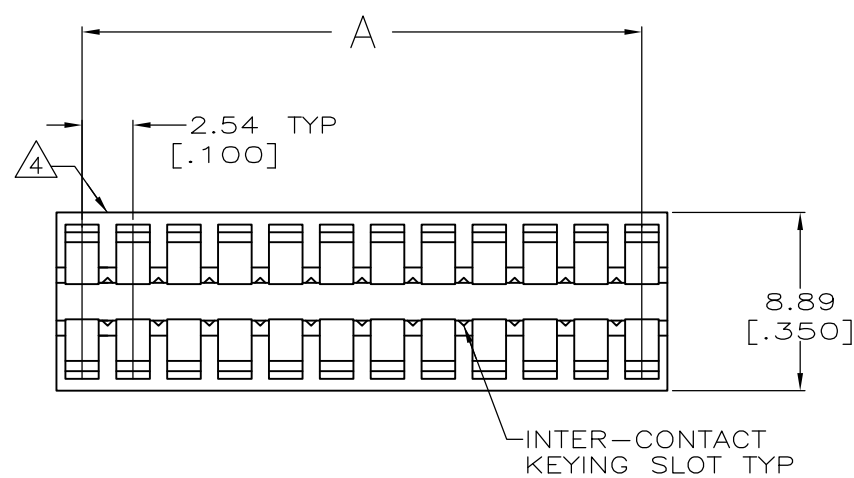
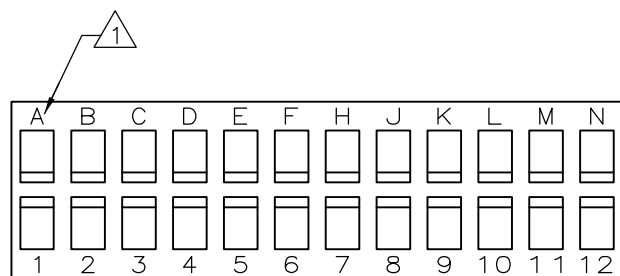


THIS DRAWING IS UNPUBLISHED. RELEASED FOR PUBLICATION
 © COPYRIGHT BY TYCO ELECTRONICS CORPORATION. ALL RIGHTS RESERVED.

LOC	DIST	REVISIONS			
P	LTR	DESCRIPTION	DATE	DWN	APVD
	P	ECO-05-015024	23JAN2007	RB	MM
	P1	REV PER ECO-09-021510	10SEP09	KK	AEG



SECTION Z-Z



- ① FIRST 22 POSITIONS MARKED WITH UPPER CASE LETTERS, FOLLOWED BY LOWER CASE LETTERS, FOLLOWED BY UPPERCASE AA,AB,AC ETC. CHARACTERS G,I,O AND Q ARE OMITTED.
- ② OPTIONAL PULL GROOVES. THE PULL GROOVE LENGTH, SIZE AND LOCATION ARE AT THE DISCRETION OF THE MOLD VENDOR.
- ③ HOUSING PART NUMBER, UL & CSA LOGO'S TO BE MOLDED IN THIS AREA. UL, LOGO PER 1-18838-3, CSA LOGO PER 1-18839-3.
- ④ DATE CODE TO BE MOLDED IN THIS AREA
- ⑤ MATERIAL: GLASS FILLED POLYESTER. COLOR- BLACK.
- ⑥ OBSOLETE PARTS: OBSOLETE CIS STREAMLINING PER D.RENAUD/D.SINISI

⑥	OBSOLETE	NO STAMPING	5.84 [.230]	2.54 [.100]	2	530241-3
		③	30.48 [1.200]	27.94 [1.100]	12	530241-1
	INK STAMPED	B	A	POSN	PART NUMBER	

THIS DRAWING IS A CONTROLLED DOCUMENT.		DWN	12-9-92	Tyco Electronics Corporation Harrisburg, PA 17105-3608		
DIMENSIONS: INCHES		J GALLUCCI BG	2/8/94			
TOLERANCES UNLESS OTHERWISE SPECIFIED:		CHK		NAME		
0 PLC ± -		H ROSE		HOUSING, CRIMP SNAP		
1 PLC ± -		APVD	-	TWIN LEAF, .100 CL.		
2 PLC ± -		PRODUCT SPEC		FOR CRIMPED CONTACT		
3 PLC ± 0.13[.005]		APPLICATION SPEC		SIZE	CAGE CODE	DRAWING NO
4 PLC ± -				A2	00779	C=530241
ANGLES ± -		WEIGHT	-	RESTRICTED TO		
FINISH				SCALE	SHEET	REV
MATERIAL				4:1	1 of 1	P1
⑤		CUSTOMER DRAWING				