

E AB A 180X130X100 20PT - Junction box



3002001

<https://www.phoenixcontact.com/pc/products/3002001>

Please be informed that the data shown in this PDF document is generated from our online catalog. Please find the complete data in the user documentation. Our general terms of use for downloads are valid.



Junction box, With 20 terminal blocks, 2.5 mm² with push-in technology, material: ABS, gray, 180 mm x 130 mm x 100 mm, type of locking: Screw-on cover

Your advantages

- Terminal box with cover and pre-assembled terminal strip
- Fast wiring without the need for additional components

Commercial data

Item number	3002001
Packing unit	1 pc
Minimum order quantity	1 pc
Product key	BH916X
Catalog page	Page 647 (C-3-2019)
GTIN	4055626083841
Weight per piece (including packing)	808.9 g
Weight per piece (excluding packing)	765 g
Customs tariff number	85371098
Country of origin	IN

E AB A 180X130X100 20PT - Junction box



3002001

<https://www.phoenixcontact.com/pc/products/3002001>

Technical data

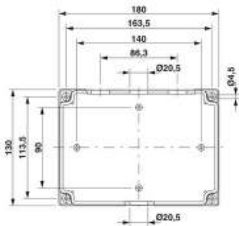
Product properties

Product type	Terminal box
--------------	--------------

Insulation characteristics

Protection class	II
------------------	----

Dimensions

Dimensional drawing	
Width	180 mm
Height	130 mm
Depth	100 mm

Material specifications

Color	gray
Material	ABS
Flammability rating according to UL 94	UL-94 HB
Seal material	Silicon
Type of insulation	Full protective insulation
Components	halogen-free

Mechanical properties

General

Type of locking (GRP)	Screw-on cover Phillips-Recess
-----------------------	--------------------------------

Environmental and real-life conditions

Ambient conditions

Ambient temperature (operation)	-25 °C ... 60 °C
---------------------------------	------------------

Mounting

Assembly instructions	Screw connection in housing base
-----------------------	----------------------------------

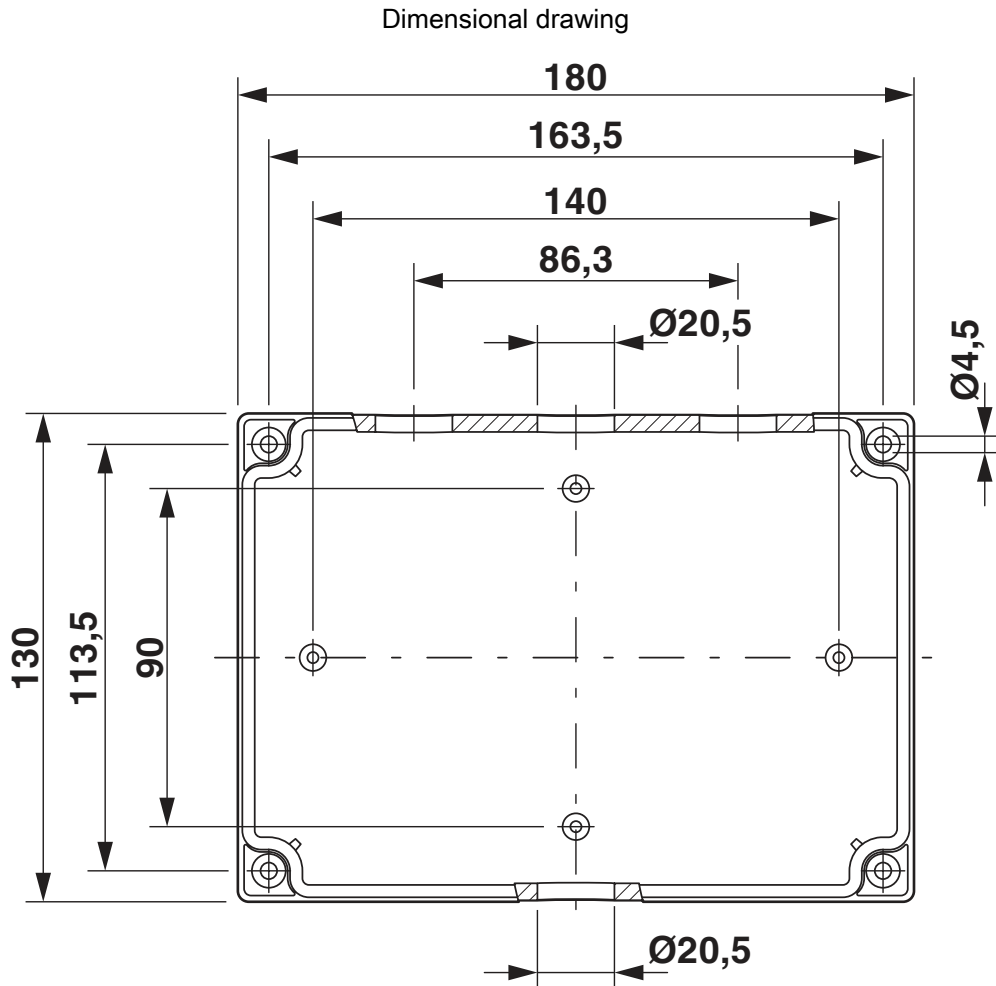
E AB A 180X130X100 20PT - Junction box



3002001

<https://www.phoenixcontact.com/pc/products/3002001>

Drawings



E AB A 180X130X100 20PT - Junction box



3002001

<https://www.phoenixcontact.com/pc/products/3002001>

Approvals

🔗 To download certificates, visit the product detail page: <https://www.phoenixcontact.com/pc/products/3002001>



EAC

Approval ID: RU C-DE.A*30.B.01742



EAC

Approval ID: RU C-DE.BL08.B.00582

E AB A 180X130X100 20PT - Junction box



3002001

<https://www.phoenixcontact.com/pc/products/3002001>

Classifications

ECLASS

ECLASS-11.0	27180101
ECLASS-12.0	27180101
ECLASS-13.0	27180101

ETIM

ETIM 8.0	EC000261
----------	----------

UNSPSC

UNSPSC 21.0	31261500
-------------	----------

Phoenix Contact 2023 © - all rights reserved

<https://www.phoenixcontact.com>

PHOENIX CONTACT GmbH & Co. KG

Flachmarktstraße 8

D-32825 Blomberg

+49 (0) 5235-3 00

info@phoenixcontact.com