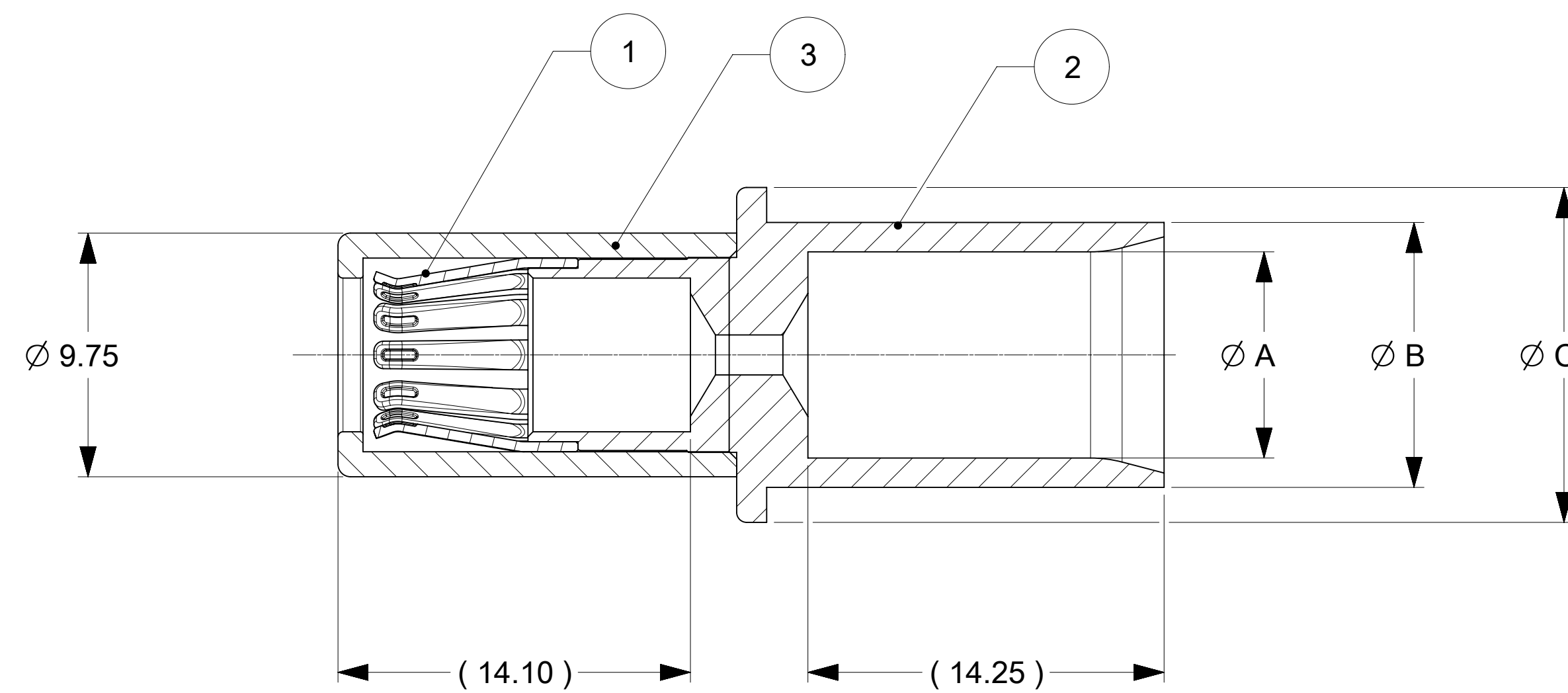
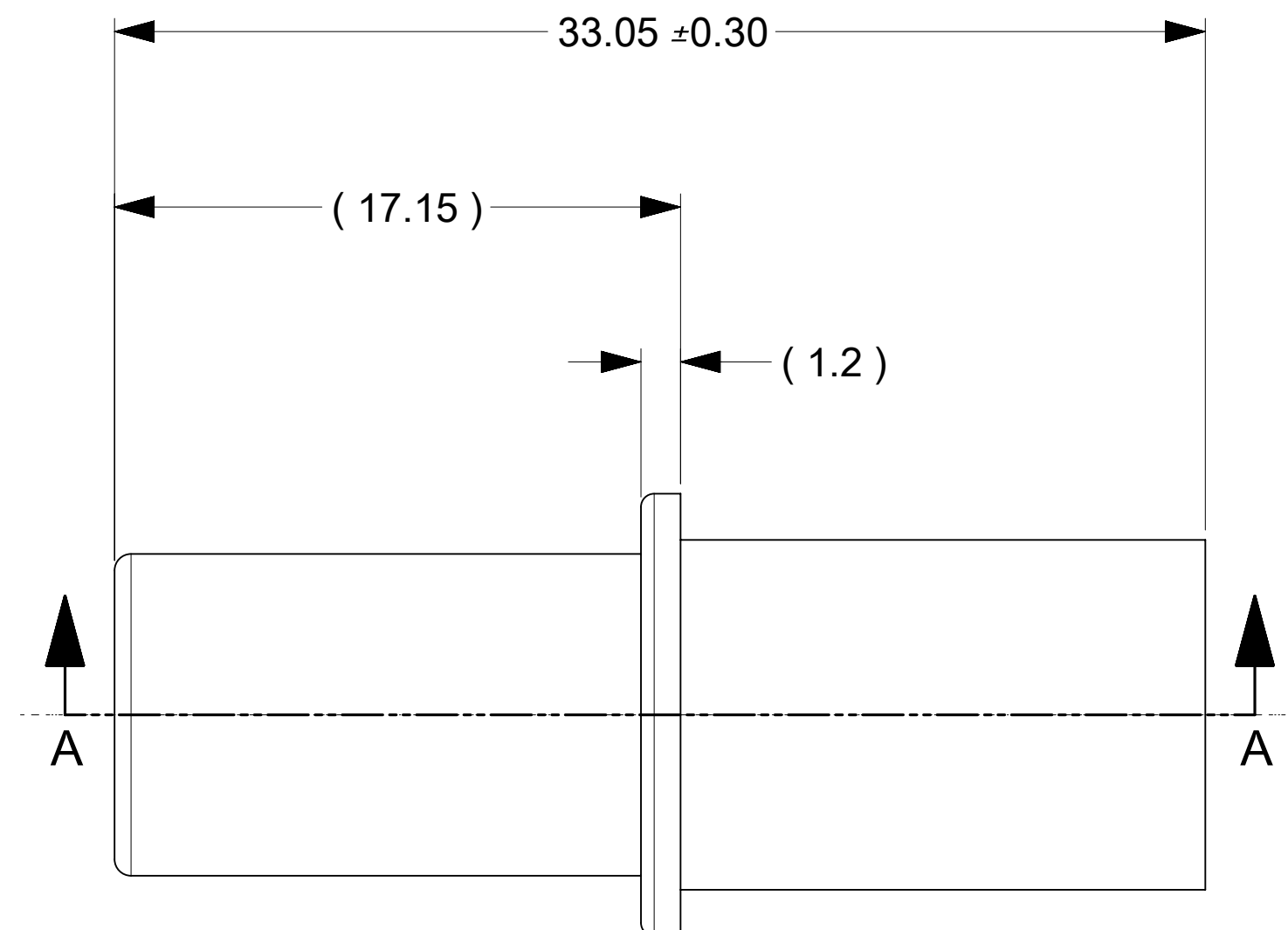
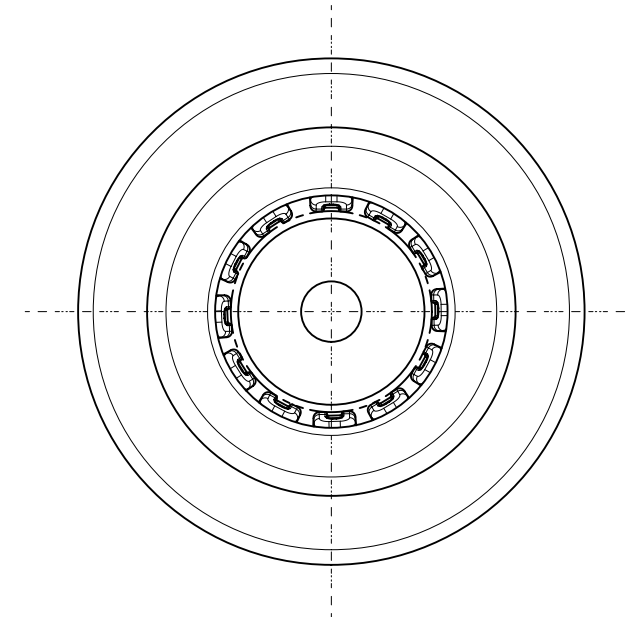
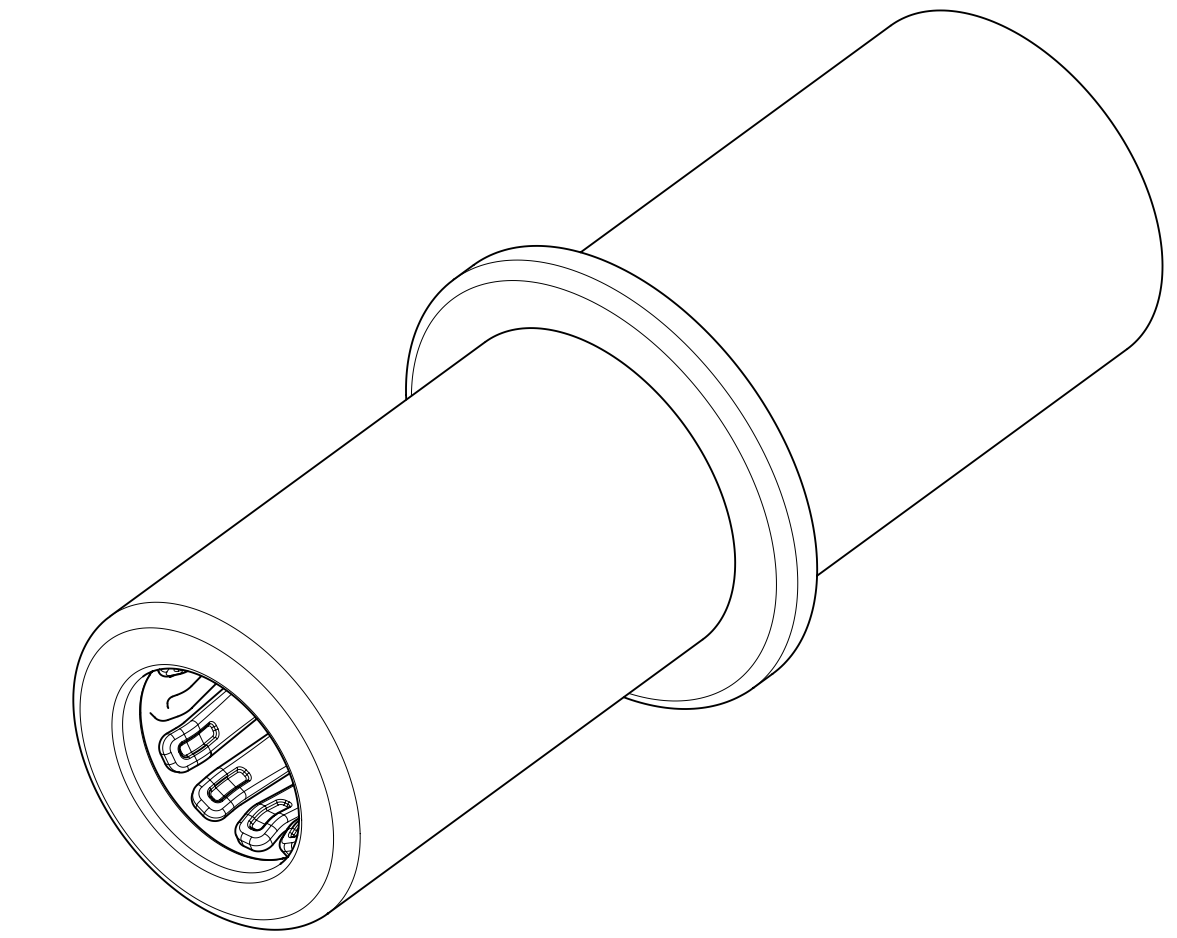


PART NUMBER	DIM"A"	DIM"B"	DIM"C"	NOTE
204608-0006	∅ 8.25	∅ 10.60	∅ 13.4	FOR 2 AWG
204608-1006	∅ 5.40	∅ 8.00	∅ 13.4	FOR 6 AWG
204608-2006	∅ 3.40	∅ 5.40	∅ 12.4	FOR 10 AWG
204608-3006	∅ 6.80	∅ 9.10	∅ 13.4	FOR 4 AWG
204608-4006	∅ 4.20	∅ 5.80	∅ 12.4	FOR 8 AWG
204608-5006	∅8.60	∅ 10.95	∅ 13.4	FOR 2+ AWG

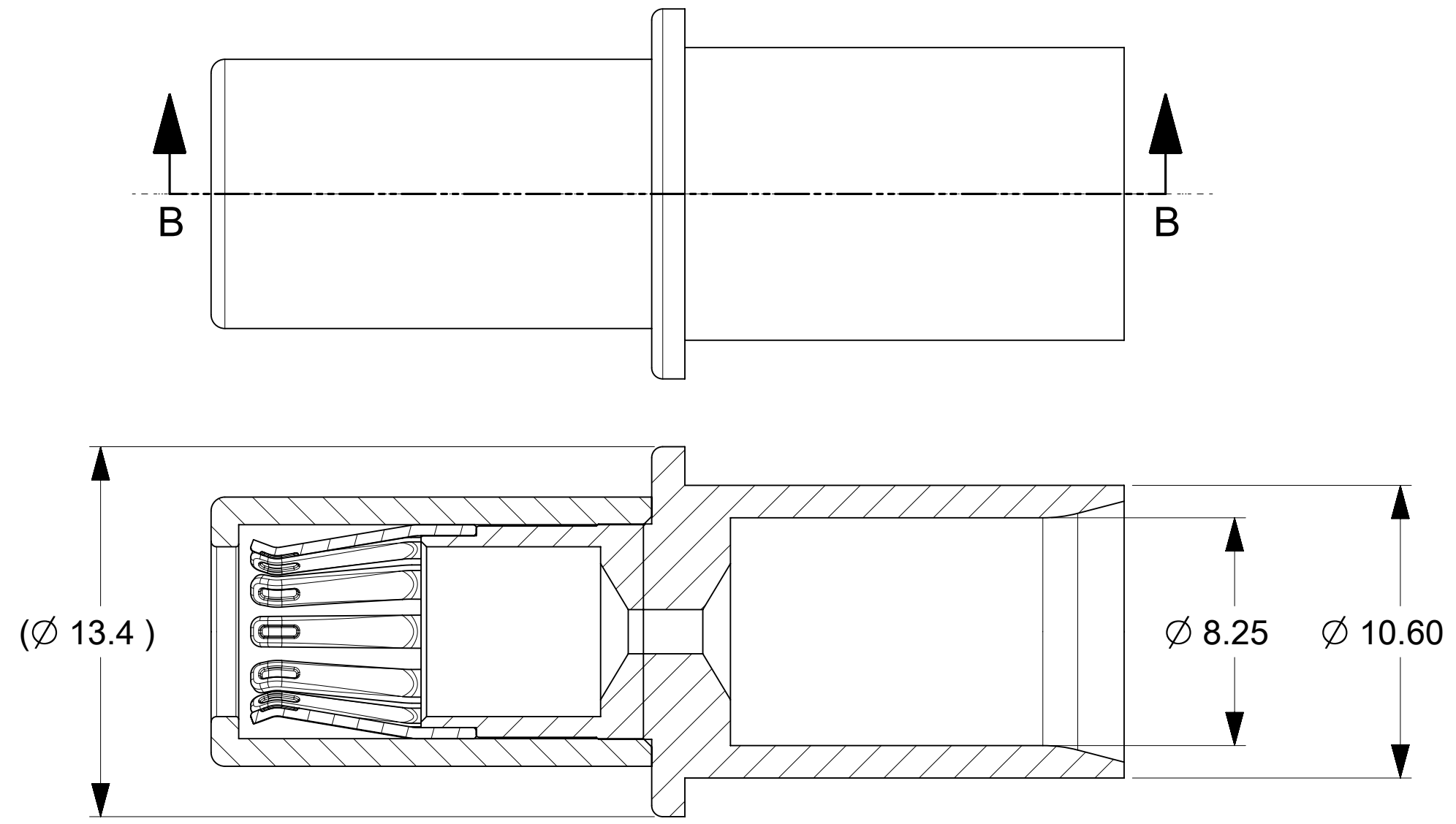


SECTION A-A

- NOTES:
- MATERIALS: COPPER ALLOY.
 - PLATING:
 - CONTACT AREA: GOLD.
 - REST: PURE SILVER.
 - MATES WITH PIN SERIES 203XXX-****
 - PRODUCT SPECIFICATION: 2119410000-PS
 - APPLICATION SPECIFICATION: 2119410000-AS
 - PACKAGE SPECIFICATION 204608-0006-PK
 - RoHS COMPLIANT.
 - SILVER COMPONENTS WILL BE SUPPLIED TARNISH FREE BUT MAY TARNISH OVER TIME

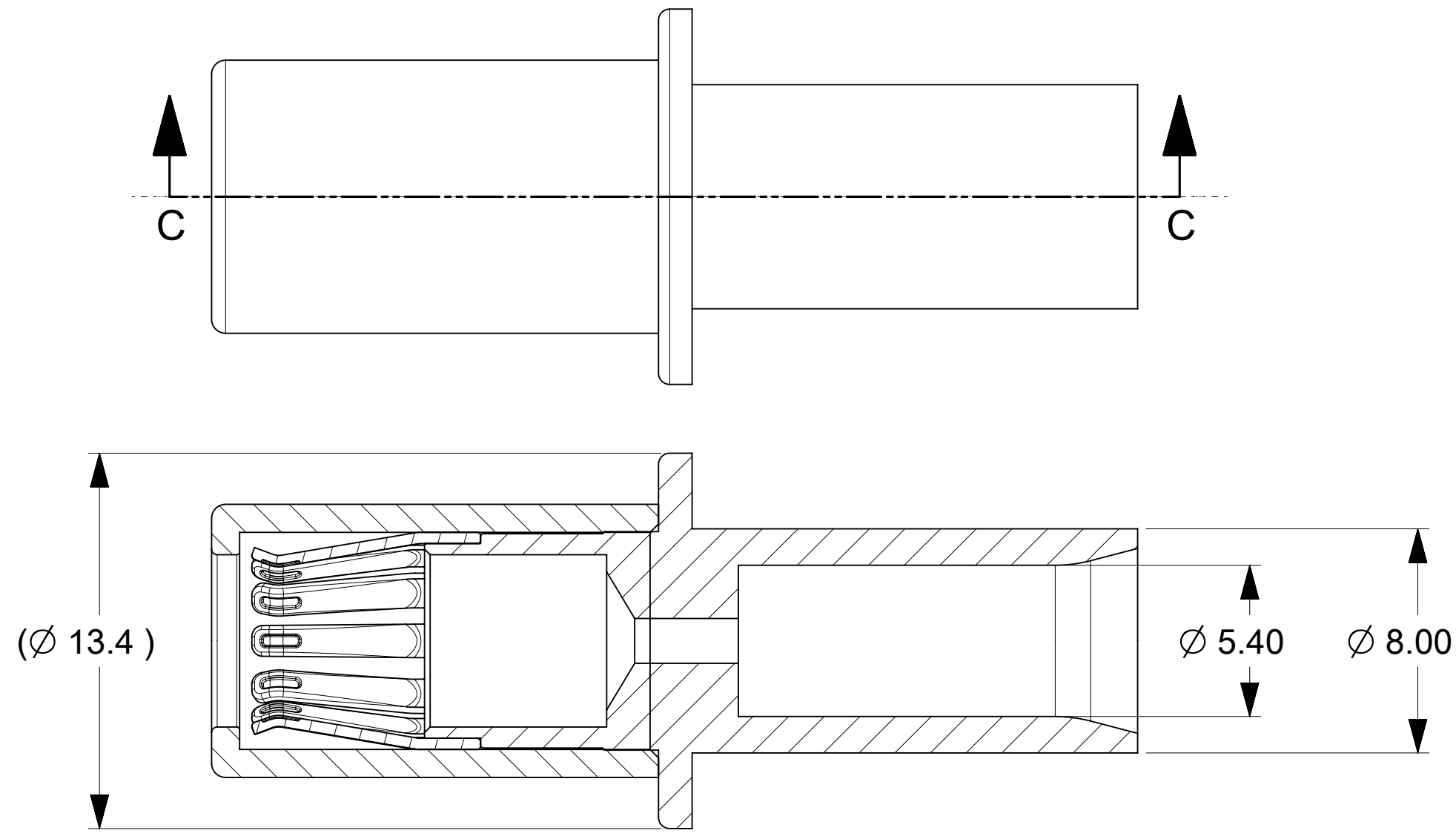
THIS DRAWING CONTAINS INFORMATION THAT IS PROPRIETARY TO MOLEX ELECTRONIC TECHNOLOGIES, LLC AND SHOULD NOT BE USED WITHOUT WRITTEN PERMISSION											
DIMENSION UNITS mm		SCALE 5:1		CURRENT REV DESC:				molex		6MM CST FEMALE CRIMP TERMINAL	
GENERAL TOLERANCES (UNLESS SPECIFIED)		ANGULAR TOL ± °		EC NO: 625331							
4 PLACES ±		3 PLACES ±		2 PLACES ± 0.15		1 PLACE ± 0.25		0 PLACES ±		PRODUCT CUSTOMER DRAWING	
DRAFT WHERE APPLICABLE MUST REMAIN WITHIN DIMENSIONS		THIRD ANGLE PROJECTION		DRAWING		SERIES		MATERIAL NUMBER		CUSTOMER	
		D-SIZE		204608		SEE CHART				SHEET NUMBER	
DOCUMENT STATUS		P1		RELEASE DATE		2019/10/29 22:32:44		DOCUMENT NUMBER		REVISION	
								2046080000-SD		A1	
								PSD		000	
										1 OF 2	

P/N: 204608-0006 (2 AWG)



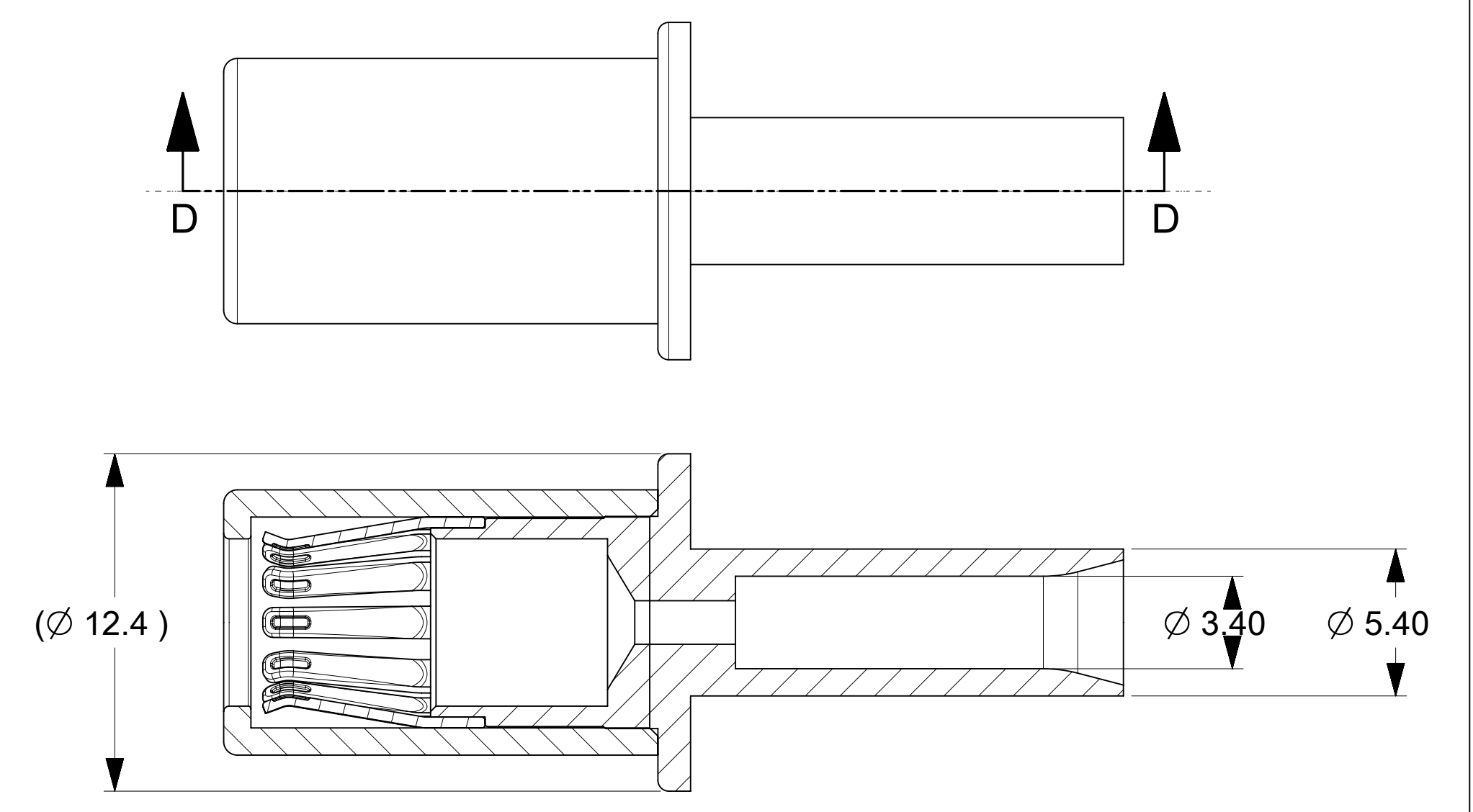
SECTION B-B

P/N: 204608-1006 (6 AWG)



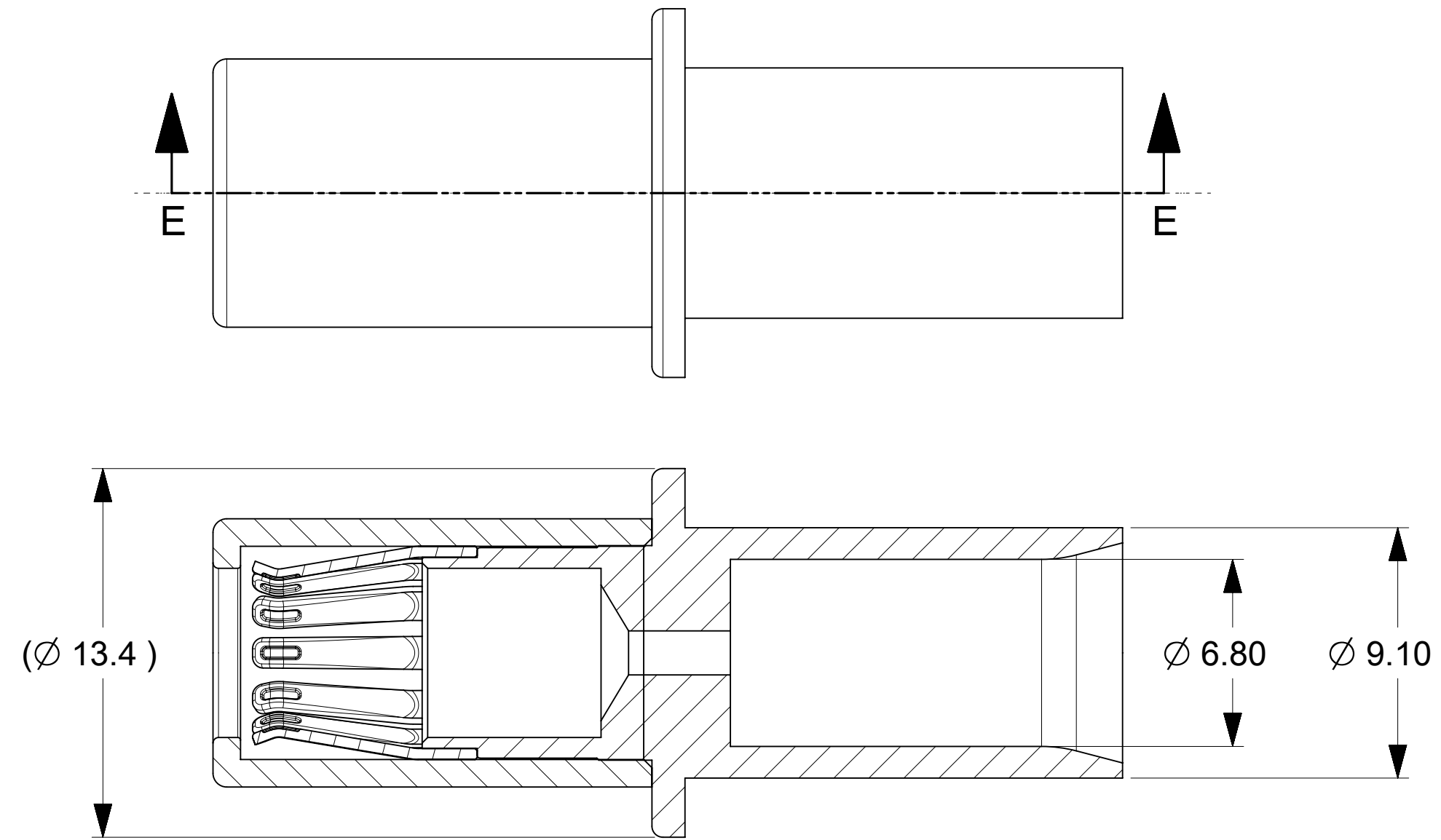
SECTION C-C

P/N: 204608-2006 (10 AWG)



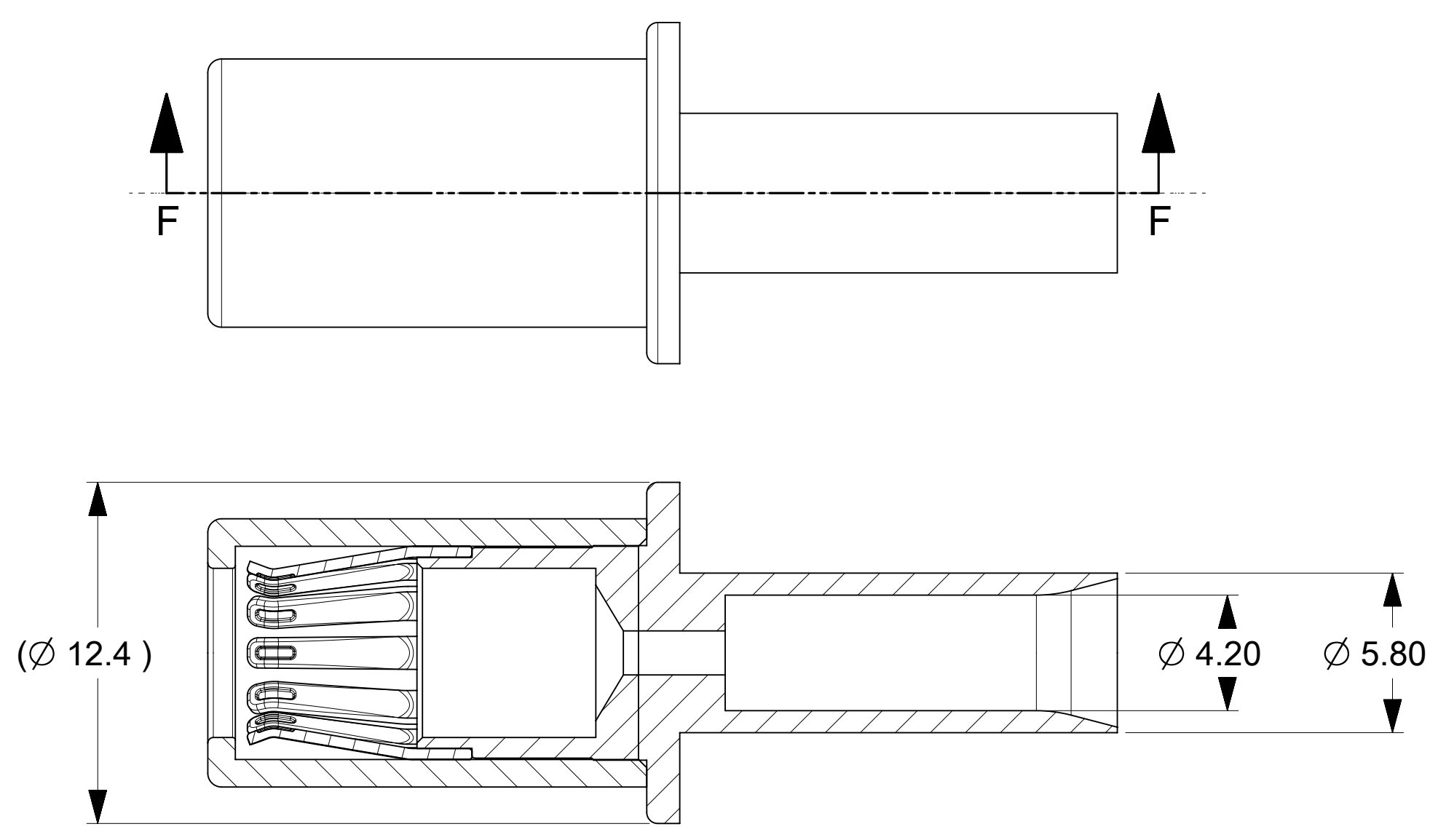
SECTION D-D

P/N: 204608-3006 (4 AWG)



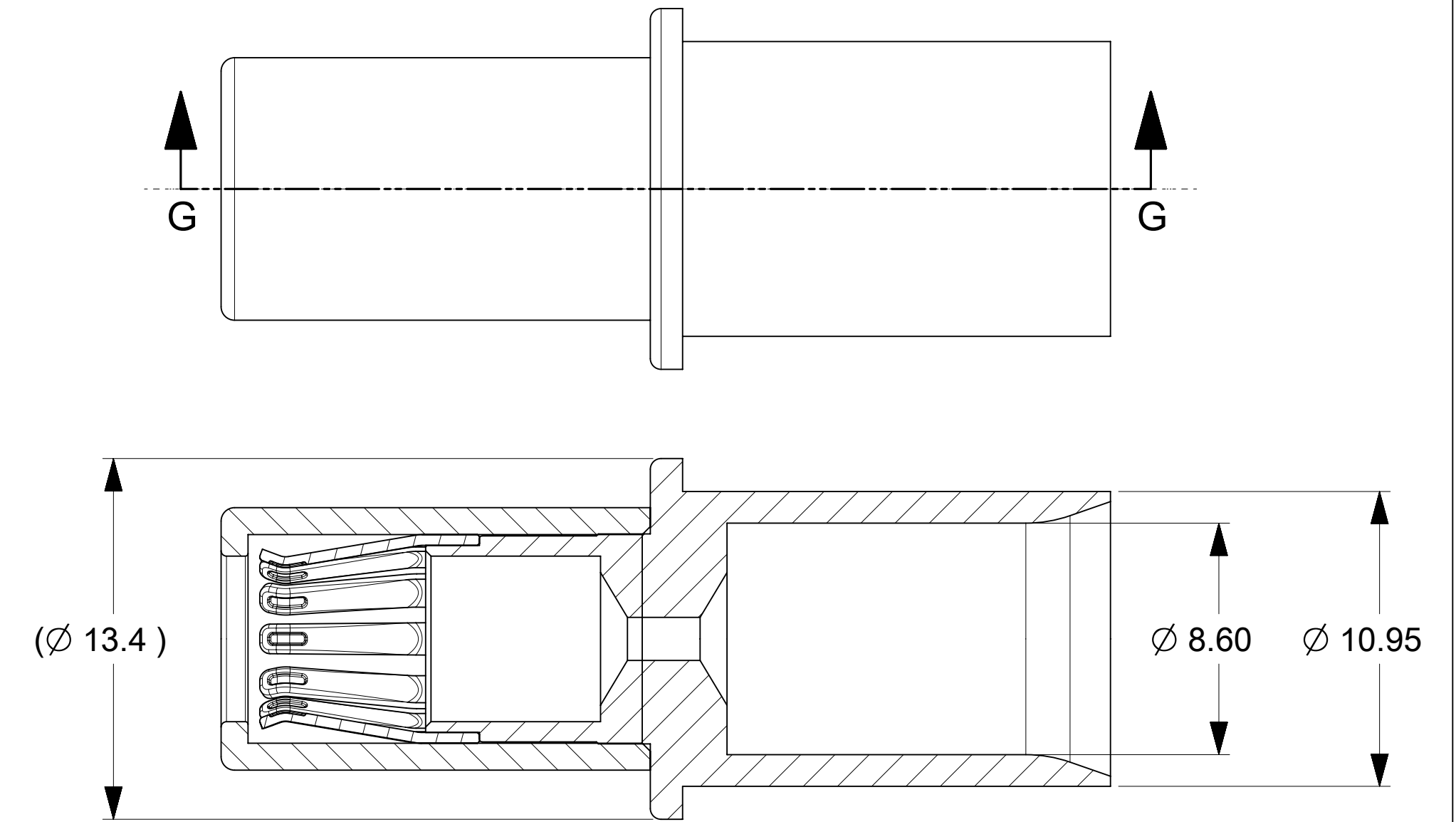
SECTION E-E

P/N: 204608-4006 (8 AWG)



SECTION F-F

P/N: 204608-5006 (2+ AWG)



SECTION G-G

THIS DRAWING CONTAINS INFORMATION THAT IS PROPRIETARY TO MOLEX ELECTRONIC TECHNOLOGIES, LLC AND SHOULD NOT BE USED WITHOUT WRITTEN PERMISSION

DIMENSION UNITS	SCALE	CURRENT REV DESC:				
mm	1:1					
GENERAL TOLERANCES (UNLESS SPECIFIED)				EC NO: 625331 DRWN: TOMLU 2019/10/23 CHK'D: BPISZCZOR 2019/10/29 APPR: BPISZCZOR 2019/10/29		
ANGULAR TOL	±	°	INITIAL REVISION:			
4 PLACES	±		DRWN: TOMLU 2019/03/14			
3 PLACES	±		APPR: BPISZCZOR 2019/08/02			
2 PLACES	±	0.15	DOCUMENT NUMBER: 2046080000-SD DOC TYPE: PSD DOC PART: 000 REVISION: A1			
1 PLACE	±	0.25	MATERIAL NUMBER: 204608 CUSTOMER:			
0 PLACES	±		SHEET NUMBER: 2 OF 2			
DRAFT WHERE APPLICABLE MUST REMAIN WITHIN DIMENSIONS		THIRD ANGLE PROJECTION	DRAWING	SERIES		
			D-SIZE	204608		