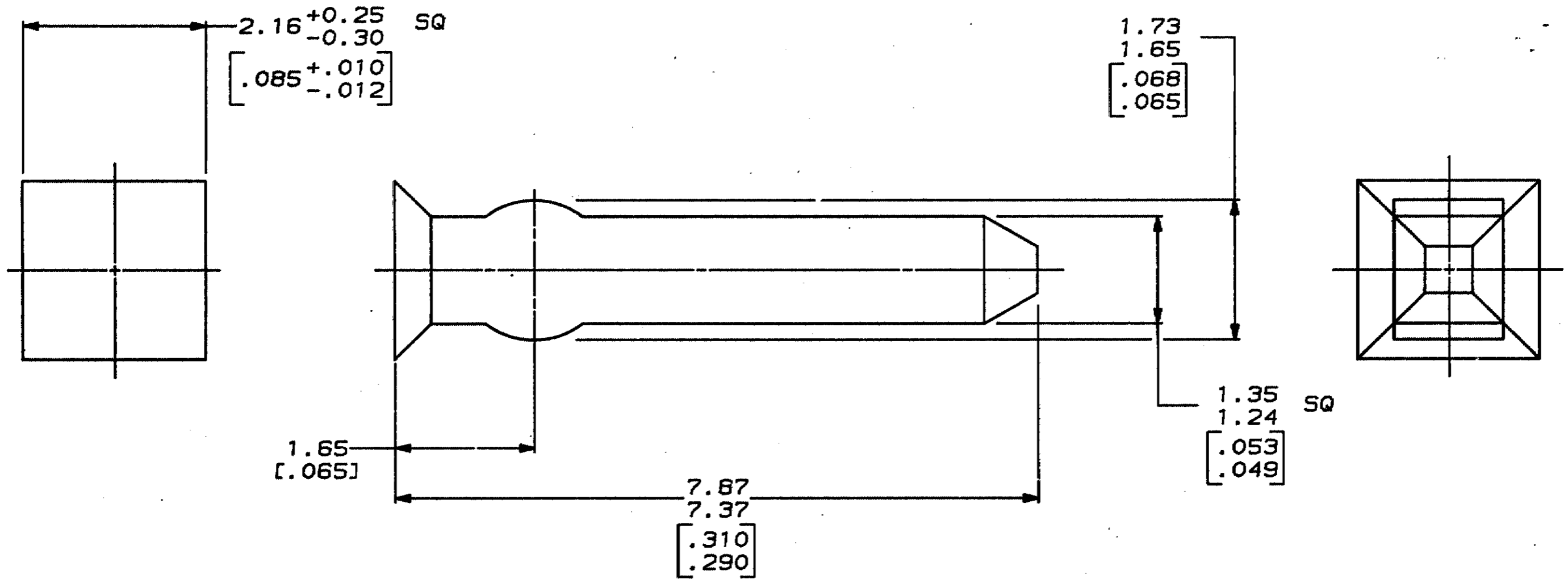


THIS DRAWING IS UNPUBLISHED. RELEASED FOR PUBLICATION, 19
 © COPYRIGHT 19 BY AMP INCORPORATED. ALL INTERNATIONAL RIGHTS RESERVED.

LOC	DIST	P	F	ZONE	LTR	DESCRIPTION	DATE	APPD
CM	54	✓			C	REV AND REDWN PER ECN CM-11	3-22-91	TB RS

1. DIMENSIONS IN BRACKETS ARE IN INCHES.



METRIC

DO NOT SCALE PRINT. UNLESS SPECIFIED DIMENSIONS IN mm (INCHES) TOLERANCES ON: 2 PLC DEC * - 3 PLC DEC * 0.13 (.005) ANGLES * -		DR <i>F. Beck</i> 3-27-91 CHK <i>M. King</i> 3-27-91 APPD <i>D. Miller</i> 4-3-91	640629-1 PART NO	
MATERIAL NYLON, 6/6 NATURAL	FINISH -	AMP AMP Incorporated Harrisburg, PA 17105-3608	NAME KEYING PLUG, MTA 156	
		SIZE B	CAGE CODE 00779	DRAWING NO 640629
		SCALE 20:1	SHEET 1 OF 1	