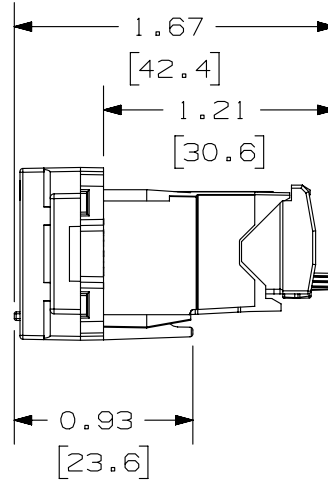
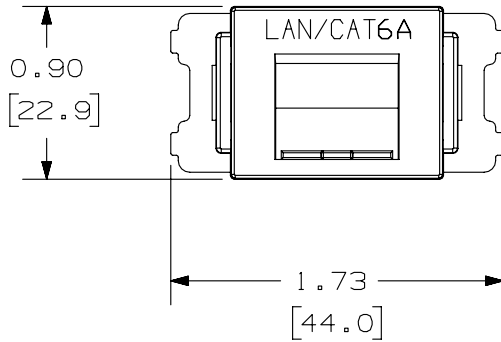
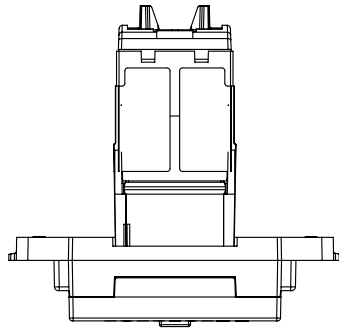


THIS COPY IS PROVIDED ON A RESTRICTED BASIS AND IS NOT TO BE USED IN ANY WAY DETRIMENTAL TO THE INTERESTS OF PANDUIT CORP.



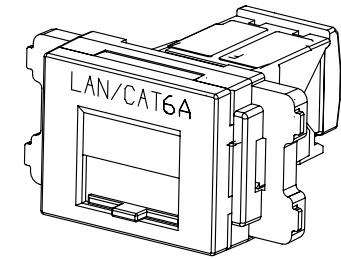
VIEW SHOWN WITH A CAT 6A JACK MODULE INSTALLED



PANDUIT P/N	WEIGHT
JAOSSP6ATG**	.30 LB/10 PCS (138.3 g/10 PCS)

NOTES:

- SEE CURRENT CATALOG FOR ADDITIONAL PART NUMBER SUFFIXES TO INDICATE COLOR AND OR PACKAGE QUANTITY.
- SEE CATALOG FOR COMPLETE LIST OF PARTS APPLICABLE FOR USE WITH THIS PART.
- DIMENSIONS IN PARENTHESES ARE IN METRIC.
- PARTS INCLUDED IN KIT:
 1- ADAPTER WITH OPAQUE DOOR AND LAN/CAT 6A PRINT
 1- MINI-COM TX6A 10GIG UTP JACK MODULE



PART NUMBER JAOSSP6ATG**		PRODUCT SPEC/PKG SPEC N/A					
I.I. NUMBER N/A		WORK INSTRUCTION N/A					
TITLE JIS SHUTTERED ADAPTER KIT (CAT 6A)							
CUSTOMER DRAWING							
ITEM REVISION NAME M00876AA/06		PANDUIT					
DATASET FILE NAME M02079AG_DC/00C							
UNLESS OTHERWISE SPECIFIED, DIMENSIONAL TOLERANCES ARE: IN [mm]		MATERIAL: ADAPTER: ABS DOOR: ABS JACK MODULE HOUSING: ABS SPRING: SPRING STEEL TERMINATION CAP: PC					
.x ± .1 [2.54] .xxx ± .005 [.127] .xx ± .01 [.25] ANGLES ± 5 °		DRAWING NUMBER: 02479-195					
THIRD ANGLE PROJECTION		SHT 1 OF 1					
DRAWN BY BJN	DATE 8-9-06	CHK MJD	SCALE NONE				
REV	DATE	BY	CHK	APR	DESCRIPTION	ECN	SIZE A

REV	DATE	BY	CHK	APR	DESCRIPTION	ECN
2	3-17-14	MDJR	REFR	MMR	C. UPDATED TITLE BLOCK.	02479-195
1	2-26-13	BJN	JSP	JSP	B. CAT 6A WAS CAT 5e A. JAOSSP6ATG** WAS JAOSSP58**Y	02479-195
R	8-9-06	JSP	MJD	MJD	RELEASED TO PRODUCTION	02479-195