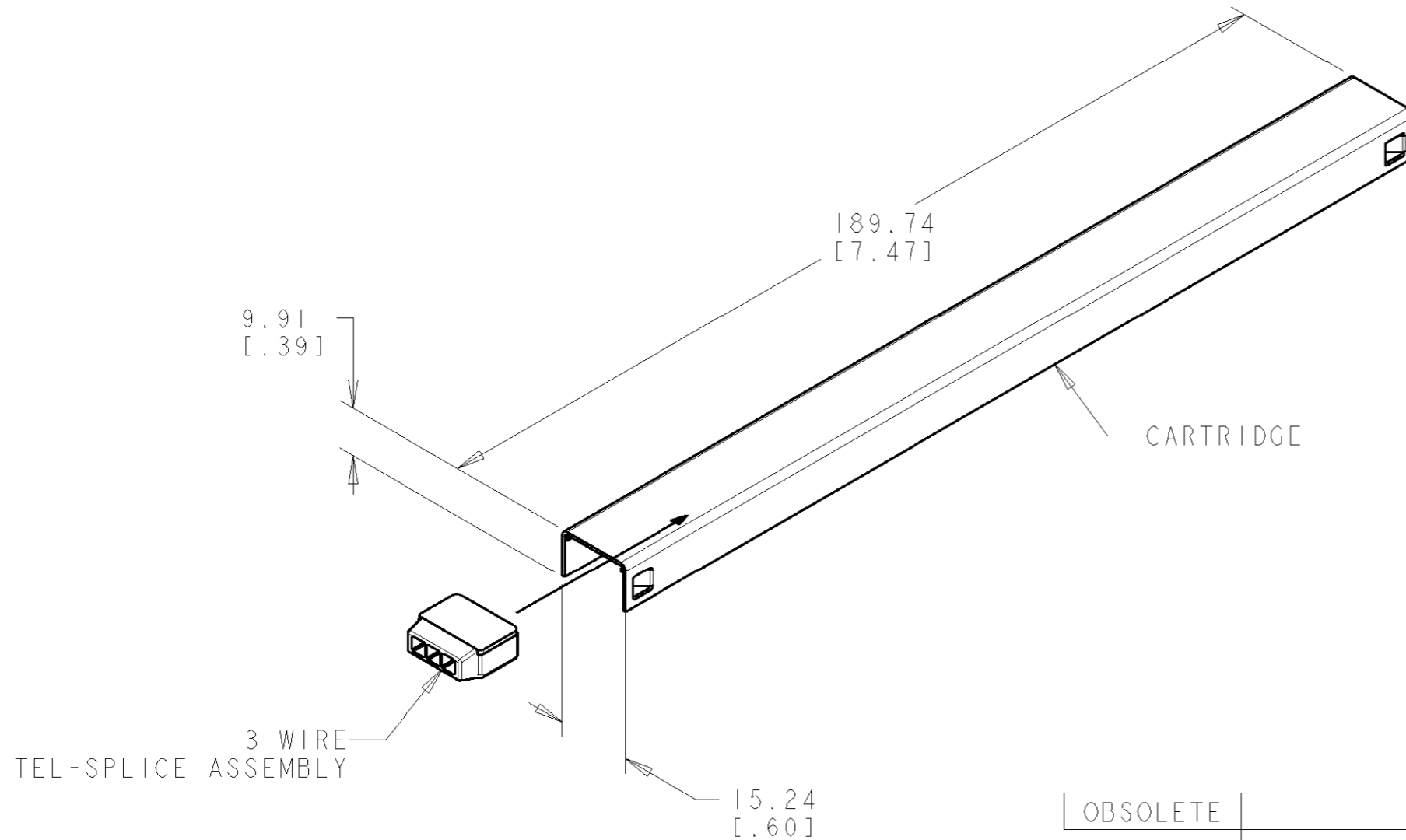


THIS DRAWING IS UNPUBLISHED. RELEASED FOR PUBLICATION 20
 © COPYRIGHT 20 BY TYCO ELECTRONICS CORPORATION. ALL RIGHTS RESERVED.

LOC	DIST	REVISIONS					
		P	LTR	DESCRIPTION	DATE	DWN	APVD
HM	00		J	ECO-06-003885	06MAR2006	JM	NJ
			K	ECO-06-019827	04OCT2006	JM	NJ
			L	REV; ECO-07-011012	14MAY2007	GG	NJ



- ALL DIMENSIONS SHOWN ARE NOMINAL UNLESS OTHERWISE SPECIFIED.
- MATERIAL: HOUSING - POLYPROPYLENE, CLEAR OR YELLOW.
TERMINAL - TIN PLATED PHOSPHOR BRONZE.
CARTRIDGE - RIGID PVC.
- WIRE RANGE: 19-26 AWG SOLID COPPER CONDUCTORS.
- TEL-SPLICE ASSEMBLIES WITHOUT SEALANT (UNFILLED) SHALL BE YELLOW.

OBSOLETE	DESCRIPTION	PART NUMBER
10	FILLED	555790-3
14	UNFILLED $\triangle 4$	555790-2
14	FILLED	555790-1

THIS DRAWING IS A CONTROLLED DOCUMENT FOR TYCO ELECTRONICS CORPORATION. IT IS SUBJECT TO CHANGE AND THE CONTROLLING ENGINEERING ORGANIZATION SHOULD BE CONTACTED FOR THE LATEST REVISION.

DIMENSIONS: MM [INCHES]	TOLERANCES UNLESS OTHERWISE SPECIFIED: 0 PLC \pm - 1 PLC \pm - 2 PLC \pm - 3 PLC \pm - 4 PLC \pm - ANGLES \pm -	DWN G. GARRETT 27AUG02 CHK L. SMITH 27AUG02 APVD A. KINKA 27AUG02	Tyco Electronics Harrisburg, PA 17105-3608	
MATERIAL $\triangle 2$	FINISH $\triangle 2$	PRODUCT SPEC - APPLICATION SPEC - WEIGHT -	NAME SINGLE CARTRIDGE ASSEMBLY, 3 WIRE, TEL-SPLICE SIZE A3 CAGE CODE 00779 DRAWING NO C-555791 RESTRICTED TO -	
CUSTOMER DRAWING		SCALE	SHEET OF	REV L