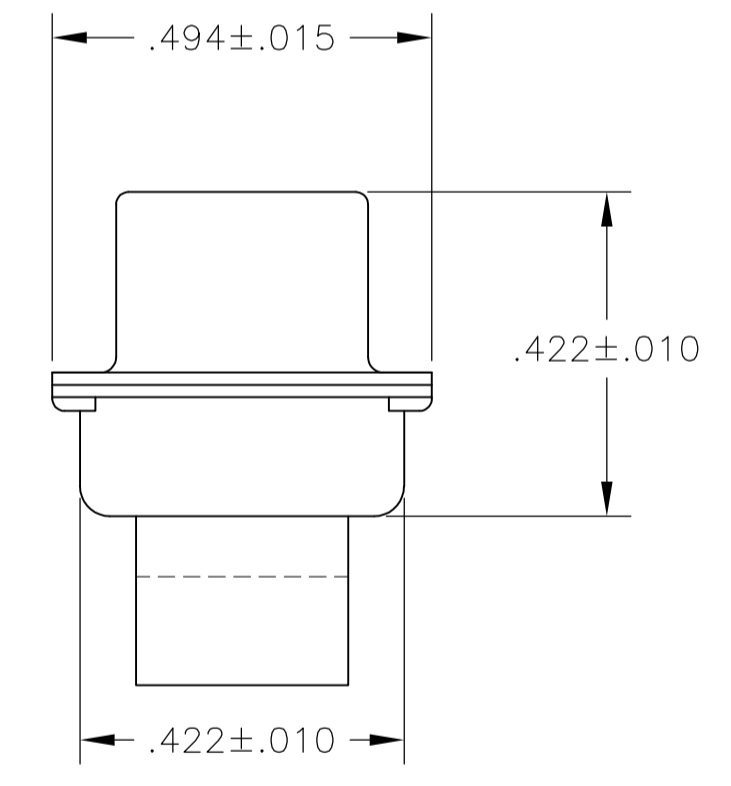
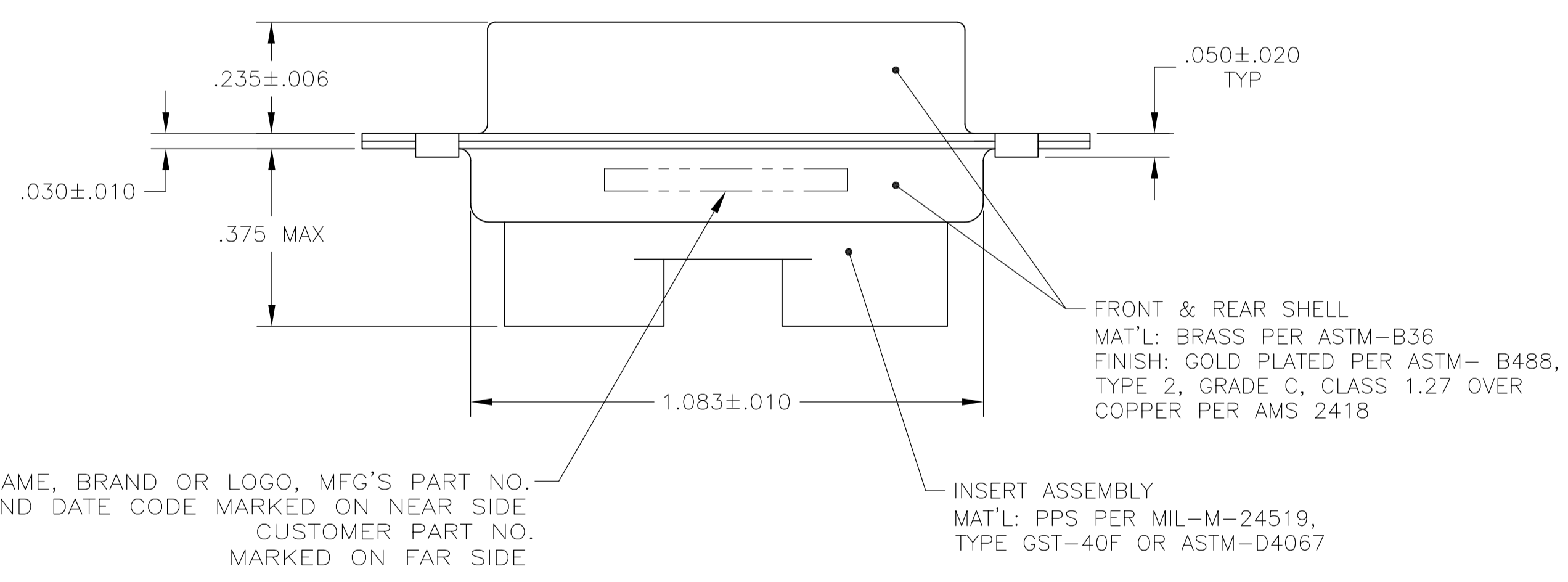
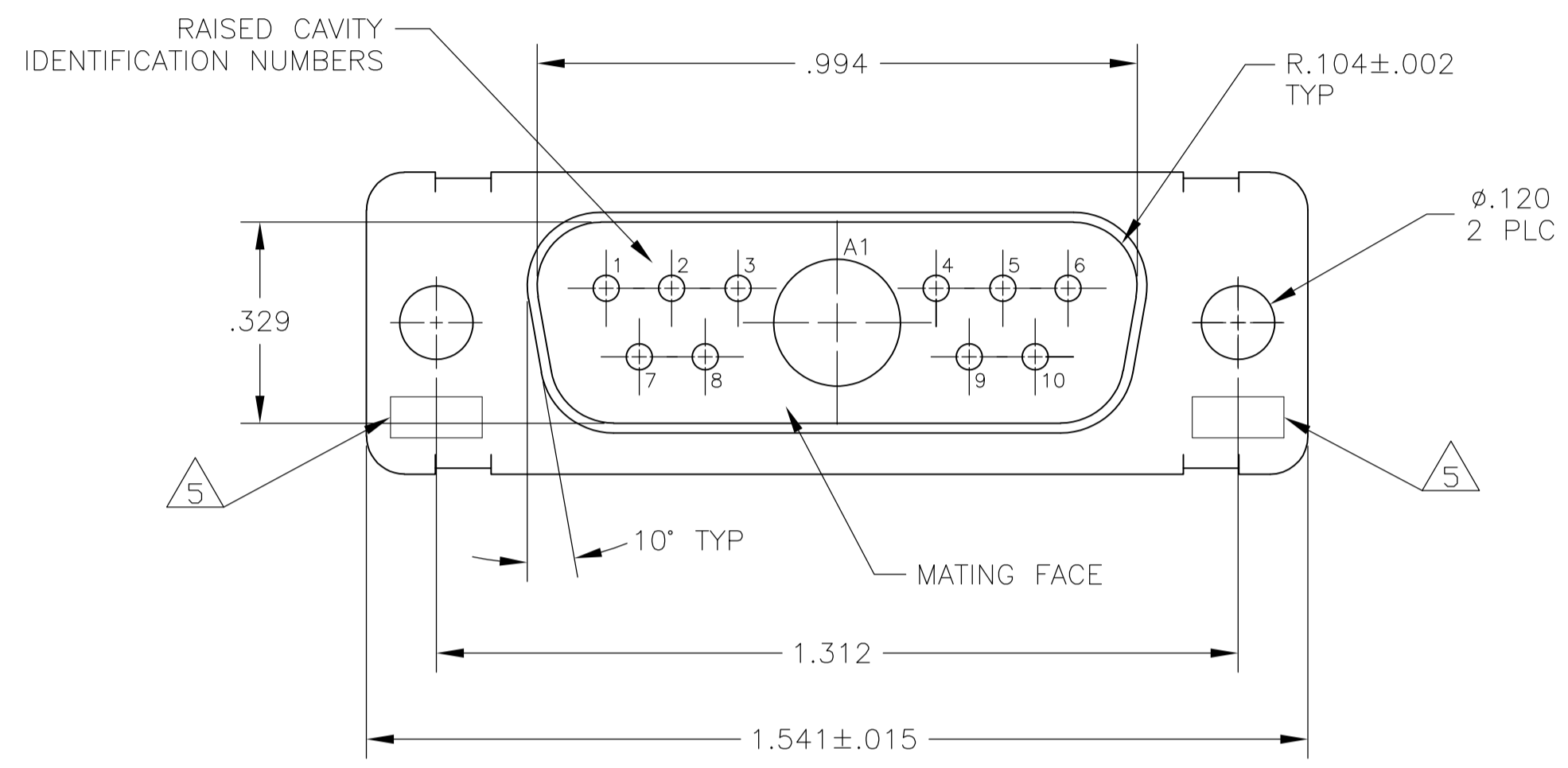


LOC		DIST		REVISIONS			
P	LTR	DESCRIPTION	DATE	DWN	APVD		
C		REV PER ECO 08-030008	21JAN2009	PK	RL		

1. THIS PLUG WILL MATE WITH ANY 11C1, SIZE 2 RECEPTACLE IN AMPLIMITE SERIES.
 2. MAXIMUM WIRE INSULATION TO BE USED WITH THIS PLUG IS $\phi.072$.
 3. THIS CONNECTOR ACCEPTS (1) POWER 8, OR COAX PIN CONTACT IN POSITIONS A1, PURCHASED SEPARATELY.
 4. THIS CONNECTOR ACCEPTS SIZE 20 PIN CONTACTS IN POSITIONS 1 THRU 10. PURCHASED SEPARATELY.
- $\triangle 5$ UL/CSA DESIGNATION STAMPED IN THIS AREA, OPTIONAL.



B010950-0013	1883429-1
CUSTOMER PART NO.	PART NO.

THIS DRAWING IS A CONTROLLED DOCUMENT.		DWN C.C.THOMAS 10-4-06	Tyco Electronics Corporation Harrisburg, Pa 17105-3608	
DIMENSIONS: INCHES		CHK D.MILLER 10-4-06	NAME D.MILLER 10-4-06	
TOLERANCES UNLESS OTHERWISE SPECIFIED:		PRODUCT SPEC		
APPLICATION SPEC		RESTRICTED TO		
MATERIAL SEE CALLOUTS		SIZE A1	WEIGHT -	CAGE CODE 00779
FINISH SEE CALLOUTS		DRAWING NO. 1883429		REV C
CUSTOMER DRAWING		SCALE 4:1	SHEET 1 OF 1	REV C