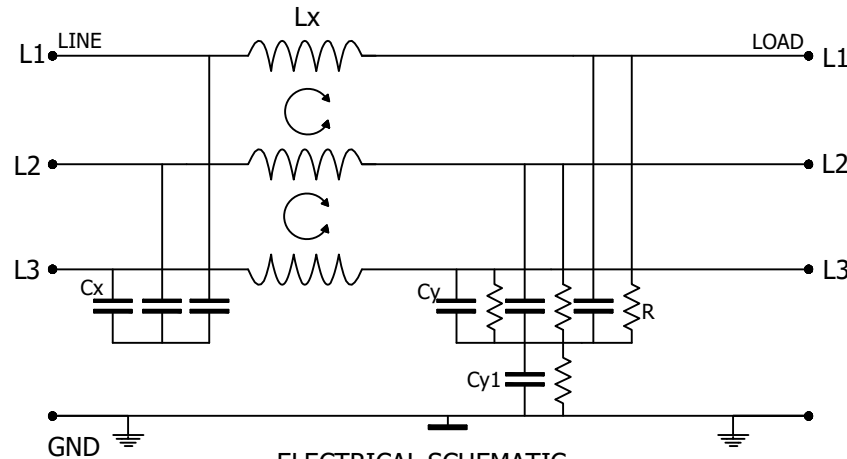
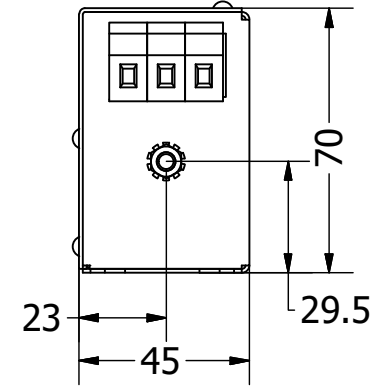
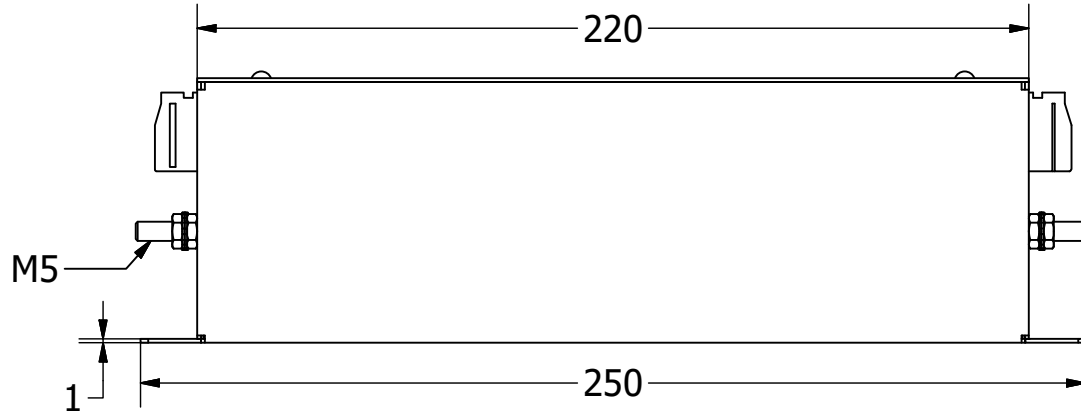
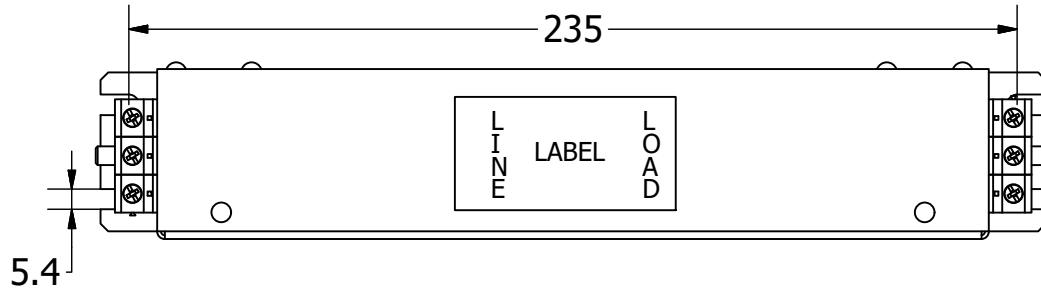


**NOTES: UNLESS OTHERWISE SPECIFIED**

1	TOLERANCE TO BE ± 1.0mm.
2	ALL DIMENSIONS ARE IN MM
3	TOLERANCE :ISO 2768-1:1989



**ELECTRICAL SCHEMATIC**  
50 ohm - 50 ohm Typical Insertion Loss

FREQUENCY MHZ	0.01	0.1	0.5	1.0	2.0	5.0	10
COMMON DB	20	60	80	80	71	58	48
DIFFERENTIAL DB	9	42	80	80	80	76	70

**PRODUCT LABEL**

L	BLA ETECH PVT.LTD.	L
I	BL358-16-T	O
N	120-250 VAC, 50-60 Hz	A
E	16A@40°C	D
	25/100/21	

**SPECIFICATION**

- 1) RATED VOLTAGE (MAX):  
16 AMP, 480/520 VAC 50-60HZ;
- 2) Hi-pot RATING (2 SECOND):  
LINE TO GROUND: 2650 VDC  
LINE TO LINE : 2100 VDC
- 3) MAXIMUM LEAKAGE LINE TO GROUND:  
4.30mA @480 VAC 60 Hz;  
4.70mA @520 VAC 50 Hz;

A	ISSUE	SUJIT	AJAY	20-02-2019
REV.	DESCRIPTION	ECN	DOWN	APVD
		BLA ETECH PVT.LTD. A-42 , Wazirpur Industrial Area New Delhi, Pin 110052 INDIA		
DRAWN BY	DRAWN DATE	CHECKED BY	CHECKED DATE	
SUJIT	20-2-2019	AJAY	20-02-2019	
DESC. MULTI STAGE FILTER				PAGE 1 of 1
PART NO. BL358-16-T				

