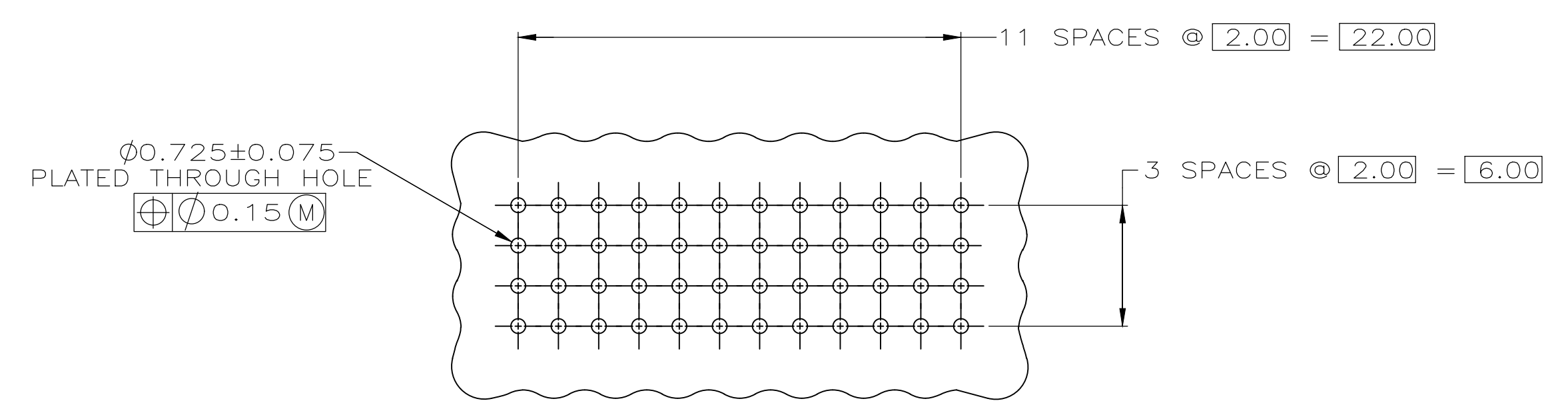
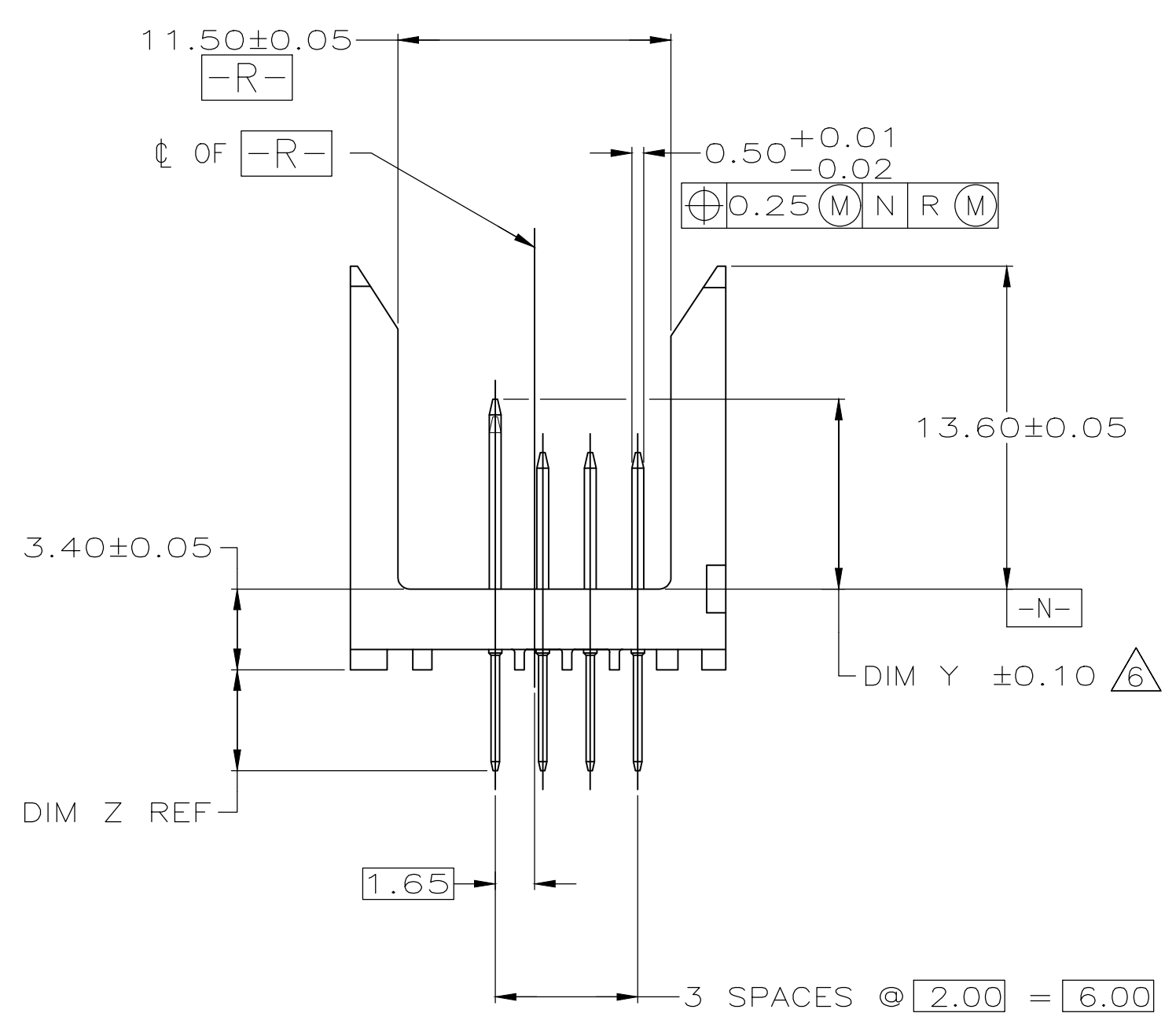
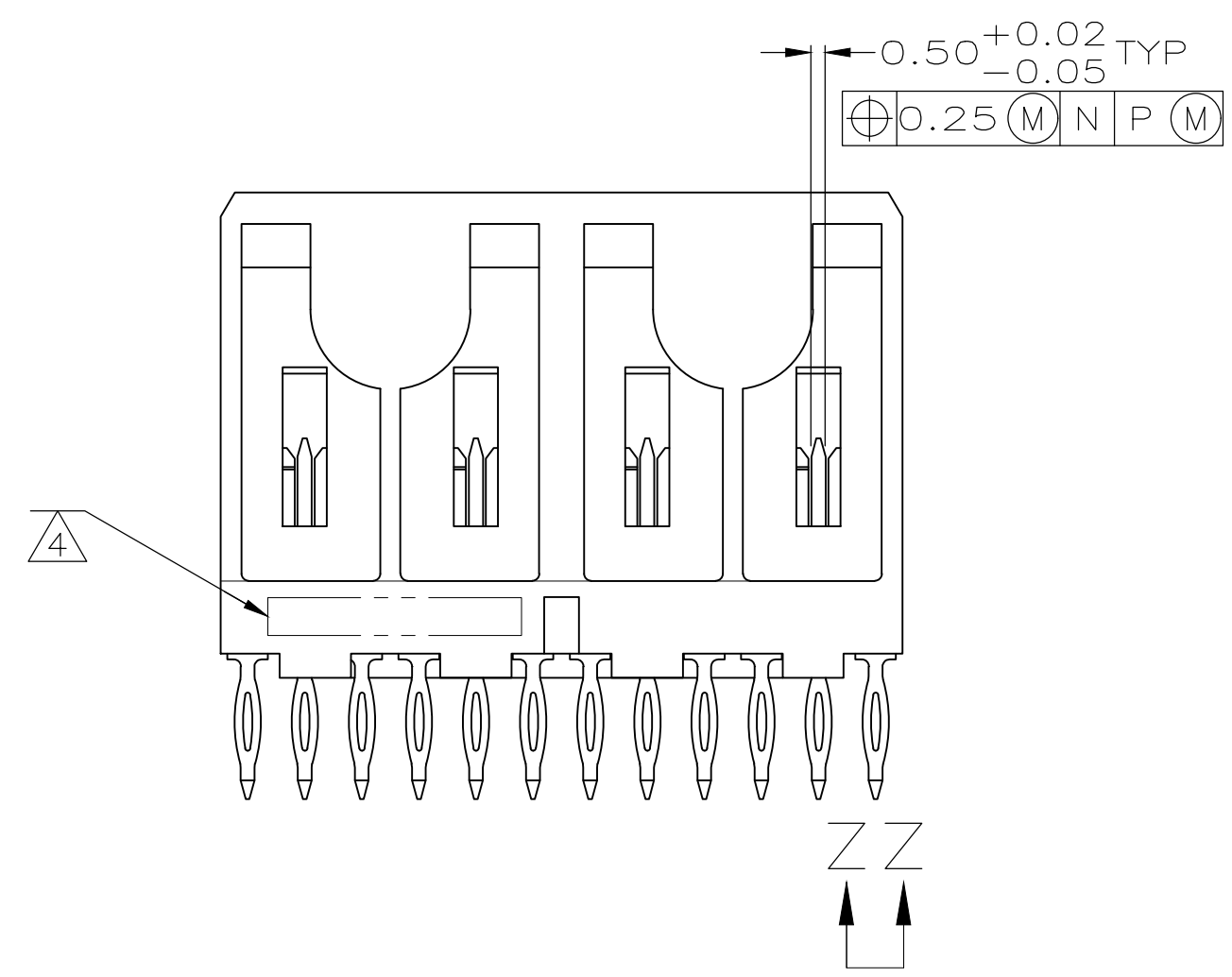
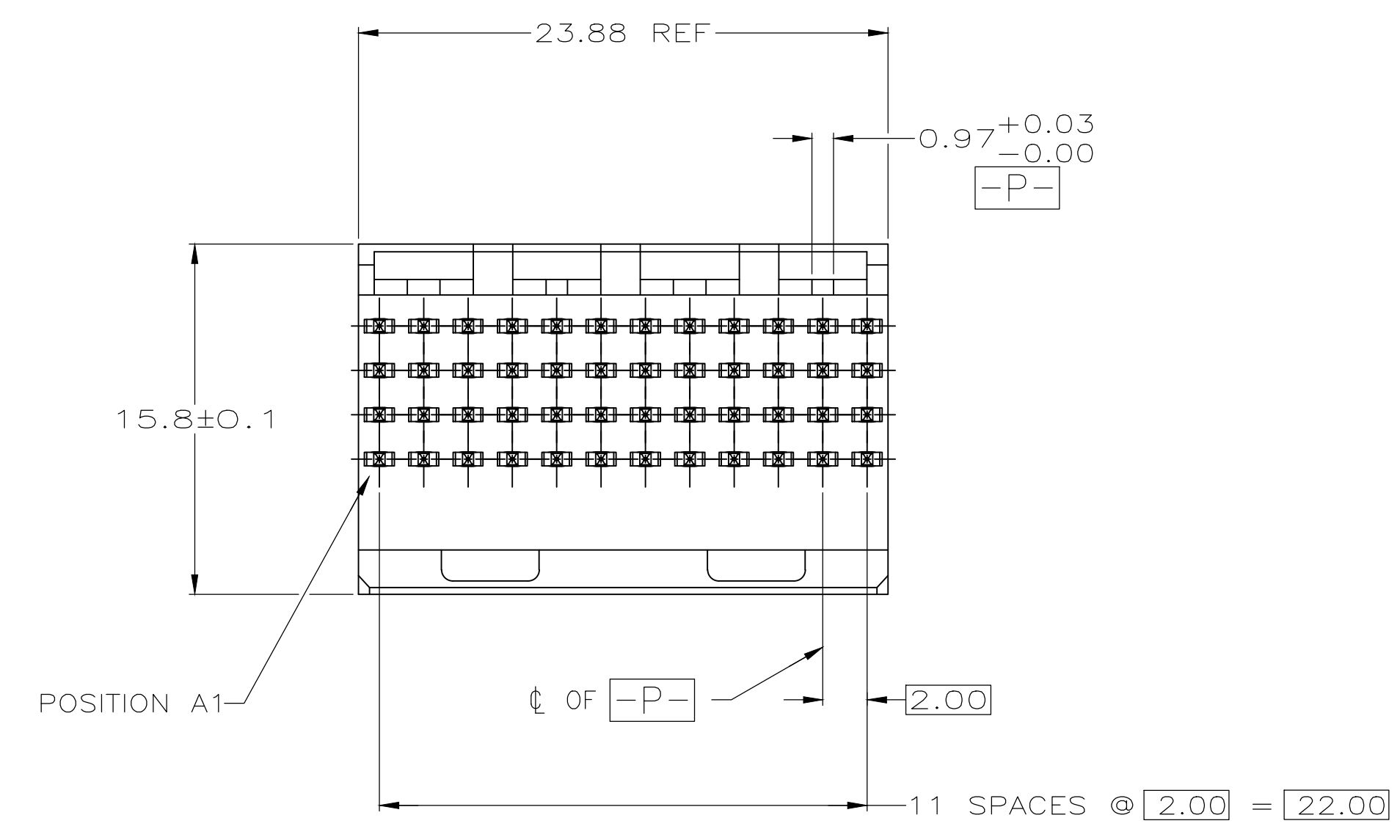
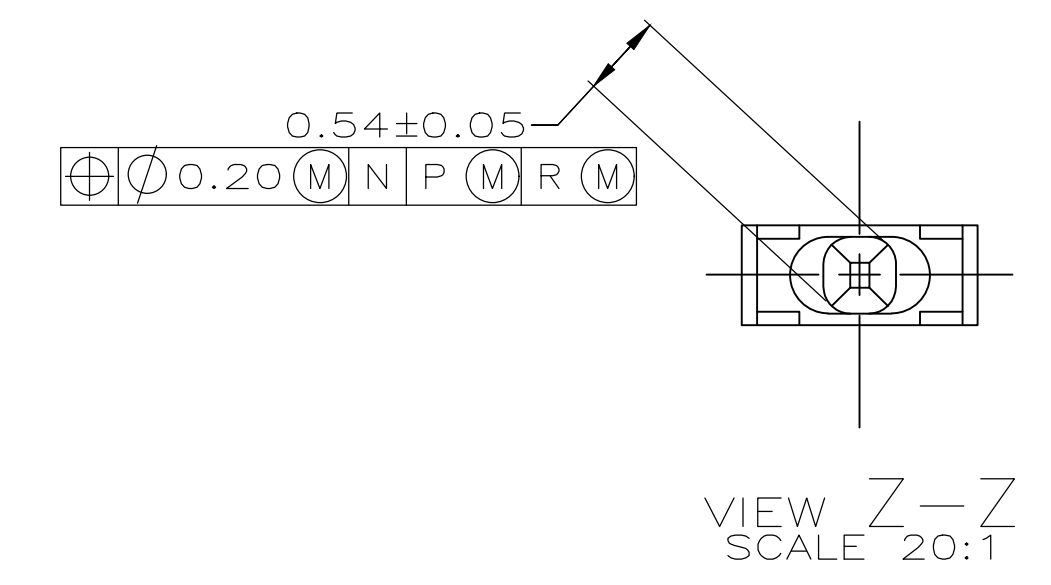


REVISIONS				
P	LTR	DESCRIPTION	DATE	OWN / APP'D
D		REVISED PER ECO-20-013368	27SEP2020	RZ / HL



RECOMMENDED CIRCUIT PATTERN
PER IPC-D300 TYPE II, CLASS C
(COMPONENT SIDE)

- △ HOUSING MATERIAL: LIQUID CRYSTAL POLYMER.
COLOR: NATURAL.
- △ CONTACT MATERIAL: PHOSPHOR BRONZE.
- △ CONTACT FINISH:(B)
UNDERPLATE (ENTIRE CONTACT):
0.00127 MIN NICKEL PER SAE-AMS-QQ-N-290
ON MATING SURFACES:
CONFORMS TO ALL TESTING SPECIFIED FOR TELCORDIA
UNCONTROLLED ENVIRONMENT.
ON LEADS:
0.0006 MIN MATTE TIN PER ASTM B 545 OVER UNDERPLATE.
LUBRICATION (MIN MATING SURFACES):
SURFACE CONDITIONER AFTER PLATING.
- △ PART MARKING, LOCATED APPROXIMATELY AS SHOWN.
- 5. SEE SHEET 2 FOR SEQUENCING CHARTS.
- △ DIMENSION APPLIES WHEN SEATED ON PRINTED CIRCUIT BOARD.
- △ OBSOLETE PARTS: OBSOLETE CIS STREAMLINING PER D.RENAUD/D.SINISI



THIS DRAWING IS A CONTROLLED DOCUMENT.		DWN B.MCMMASTER 15DEC04	
DIMENSIONS: mm		CHK R.WERTZ 15DEC04	
TOLERANCES UNLESS OTHERWISE SPECIFIED:		NAME R.WERTZ 15DEC04	PIN ASSY SIGNAL MODULE,Z-PACK 2mm FB 4R 48 POSN,PRESS FIT LEADS WITH SEQUENCING
0. PLC ± - 1. PLC ± - 2. PLC ± 0.13 3. PLC ± - 4. PLC ± - ANGLES ± - FINISH		PRODUCT SPEC APPLICATION SPEC	
MATERIAL		SIZE A1	RESTRICTED TO
△ △ △		CAGE CODE 00779	DRAWING NO 5223611
CUSTOMER DRAWING		SCALE 4:1	SHEET 1 OF 2
		REV D	

REVISIONS				
P	LTR	DESCRIPTION	DATE	APPV
-		SEE SHEET 1	-	-

D	-	-	E	E	-	-	E	E	E	E	E	E	D	
C	E	E	E	E	E	E	E	E	E	E	E	E	C	5223611-1
B	E	E	E	E	E	E	E	E	E	E	E	E	B	OBSOLETE
A	-	-	-	-	-	-	N	N	N	N	T	T	A	PART NUMBER
ROW	1	2	3	4	5	6	7	8	9	10	11	12	ROW	
CONTACT LOAD CHART														

D	E	E	E	E	E	E	E	E	E	N	E	E	D	
C	E	E	E	E	E	E	E	E	E	E	N	E	C	2-5223611-8
B	E	E	E	E	E	E	E	E	E	E	N	E	B	
A	E	E	E	E	E	E	E	E	E	N	E	E	A	PART NUMBER
ROW	1	2	3	4	5	6	7	8	9	10	11	12	ROW	
CONTACT LOAD CHART														

Y	7.25	13.60
X	6.50	13.60
J	6.50	4.25
A	5.00	4.25
SS	8.00	13.60
UU	5.75	13.60
T	8.00	4.25
N	7.25	4.25
E	5.75	4.25
CONTACT LETTER	DIM Y	DIM Z

D	U	U	U	U	S	S	S	S	U	U	U	U	S	S	S	S	D	
C	U	U	U	U	S	S	S	S	U	U	U	U	S	S	S	S	C	5223611-2
B	U	U	U	U	S	S	S	S	U	U	U	U	S	S	S	S	B	
A	U	U	U	U	S	S	S	S	U	U	U	U	S	S	S	S	A	PART NUMBER
ROW	1	2	3	4	5	6	7	8	9	10	11	12	ROW					
CONTACT LOAD CHART																		

D	E	E	E	E	E	E	J	J	E	N	N	D		
C	E	E	E	E	E	E	J	J	E	N	N	C	2-5223611-9	
B	E	E	E	E	E	E	J	J	E	N	N	B		
A	E	E	E	E	E	E	J	J	E	N	N	A	PART NUMBER	
ROW	1	2	3	4	5	6	7	8	9	10	11	12	ROW	
CONTACT LOAD CHART														

D	T	A	A	A	A	T	A	T	A	T	A	T	D	
C	J	A	A	A	A	T	T	A	T	A	T	A	C	5223611-3
B	J	A	A	A	A	T	T	A	T	A	T	A	B	
A	J	A	A	A	A	T	T	A	T	A	T	A	A	PART NUMBER
ROW	1	2	3	4	5	6	7	8	9	10	11	12	ROW	
CONTACT LOAD CHART														

D	E	E	E	E	E	E	N	E	E	E	E	D		
C	E	E	E	E	E	E	N	E	E	E	E	C	3-5223611-0	
B	E	E	E	E	E	E	N	E	E	E	E	B		
A	E	E	E	E	E	E	N	E	E	E	A	A	PART NUMBER	
ROW	1	2	3	4	5	6	7	8	9	10	11	12	ROW	
CONTACT LOAD CHART														

D	A	A	A	A	A	A	A	A	A	A	A	A	D	
C	A	A	A	A	A	A	A	A	A	A	A	A	C	5223611-4
B	J	J	J	J	J	J	J	J	J	J	J	J	B	
A	A	A	A	A	A	A	A	A	A	A	A	A	A	PART NUMBER
ROW	1	2	3	4	5	6	7	8	9	10	11	12	ROW	
CONTACT LOAD CHART														

D	U	U	U	U	U	U	U	U	U	U	U	U	Y	U	U	U	D	
C	U	U	U	U	U	U	U	U	U	U	U	U	Y	U	U	U	C	3-5223611-1
B	U	U	U	U	U	U	U	U	U	U	U	U	Y	U	U	U	B	OBSOLETE
A	U	U	U	U	U	U	U	U	U	U	U	U	Y	U	U	U	A	PART NUMBER
ROW	1	2	3	4	5	6	7	8	9	10	11	12	ROW					
CONTACT LOAD CHART																		

D	T	J	J	J	J	J	J	J	J	T	D			
C	T	J	J	J	J	J	J	J	J	T	C	5-5223611-5		
B	T	J	J	J	J	J	J	J	J	T	B			
A	T	J	J	J	J	J	J	J	J	T	A	PART NUMBER		
ROW	1	2	3	4	5	6	7	8	9	10	11	12	ROW	
CONTACT LOAD CHART														

D	U	U	U	U	U	U	U	U	U	X	X	U	Y	D	
C	U	U	U	U	U	U	U	U	U	X	X	U	Y	C	3-5223611-2
B	U	U	U	U	U	U	U	U	U	X	X	U	Y	B	OBSOLETE
A	U	U	U	U	U	U	U	U	U	X	X	U	Y	A	PART NUMBER
ROW	1	2	3	4	5	6	7	8	9	10	11	12	ROW		
CONTACT LOAD CHART															

D	SS	X	X	X	X					SS	D			
C	SS	X	X	X	X					SS	C	5-5223611-7		
B	SS	X	X	X	X					SS	B			
A	SS	X	X	X	X					SS	A	PART NUMBER		
ROW	1	2	3	4	5	6	7	8	9	10	11	12	ROW	
CONTACT LOAD CHART														

D	Y	U	U	U	U	U	U	U	U	U	G	U	U	D	
C	Y	U	U	U	U	U	U	U	U	U	Y	U	U	C	3-5223611-3
B	Y	U	U	U	U	U	U	U	U	U	Y	U	U	B	OBSOLETE
A	Y	U	U	U	U	U	U	U	U	U	Y	U	U	A	PART NUMBER
ROW	1	2	3	4	5	6	7	8	9	10	11	12	ROW		
CONTACT LOAD CHART															

D	X	X	X	X	X	X	X	X	X	X	X	X	D	
C	X	X	X	X	X	X	X	X	X	X	X	X	C	5-5223611-8
B	X	X	X	X	X	X	X	X	X	X	X	X	B	
A	X	X	X	X	X	X	X	X	X	X	X	X	A	PART NUMBER
ROW	1	2	3	4	5	6	7	8	9	10	11	12	ROW	
CONTACT LOAD CHART														

D	J	J	J	J	E	N	E	N	E	N	E	D		
C	J	J	J	J	E	N	E	N	E	N	E	C	3-5223611-4	
B	J	J	J	J	J	J	J	J	J	J	J	B	OBSOLETE	
A	J	J	J	J	J	J	J	J	J	J	J	A	PART NUMBER	
ROW	1	2	3	4	5	6	7	8	9	10	11	12	ROW	
CONTACT LOAD CHART														

D	E	E	E	E	E	E	E	E	E	E	T	D		
C	E	E	E	E	E	E	E	E	E	E	E	C	5-5223611-9	
B	N	E	E	E	E	E	E	E	E	N	B			
A	E	E	E	E	E	E	E	E	E	T	A	PART NUMBER		
ROW	1	2	3	4	5	6	7	8	9	10	11	12	ROW	
CONTACT LOAD CHART														

D	N	N	J	J	N	N	N	N	E	E	E	D		
C	N	N	J	J	N	N	N	N	E	E	E	C	3-5223611-5	
B	N	N	J	J	N	N	N	N	E	E	N	B	OBSOLETE	
A	N	N	J	J	N	N	N	N	E	E	N	A	PART NUMBER	
ROW	1	2	3	4	5	6	7	8	9	10	11	12	ROW	
CONTACT LOAD CHART														

D	T	J	J	J	J					T	D			
C	T	J	J	J	J					T	C	4-5223611-6		
B	T	J	J	J	J					T	B			
A	T	J	J	J	J					T	A	PART NUMBER		
ROW	1	2	3	4	5	6	7	8	9	10	11	12	ROW	
CONTACT LOAD CHART														

D	E	E	E	E	E	E	E	E	E	E	D			
C	E	E	E	E	E	E	E	E	E	E	C	3-5223611-7		
B	E	E	E	E	E	E	E	E	E	E	B	OBSOLETE		
A	N	N	N	N	T	T	N	N	N	N	T	A	PART NUMBER	
ROW	1	2	3	4	5	6	7	8	9	10	11	12	ROW	
CONTACT LOAD CHART														

THIS DRAWING IS A CONTROLLED DOCUMENT.

DIMENSIONS: mm	TOLERANCES UNLESS OTHERWISE SPECIFIED: 0. PLC ± - 1. PLC ± - 2. PLC ± 0.13 3. PLC ± - 4. PLC ANGLES ± -	DIN B. MCMASTER 150EC04 CIK 150EC04 R. WERTZ 150EC04 R. WERTZ 150EC04	NAME PIN ASSY SIGNAL MODULE, Z-PACK 2mm FB 4R 48 POSN, PRESS FIT LEADS WITH SEQUENCING
MATERIAL	FINISH	WEIGHT	RESTRICTED TO
CUSTOMER DRAWING		SCALE 4:1	SHEET 2 OF 2

4805 (1/15)