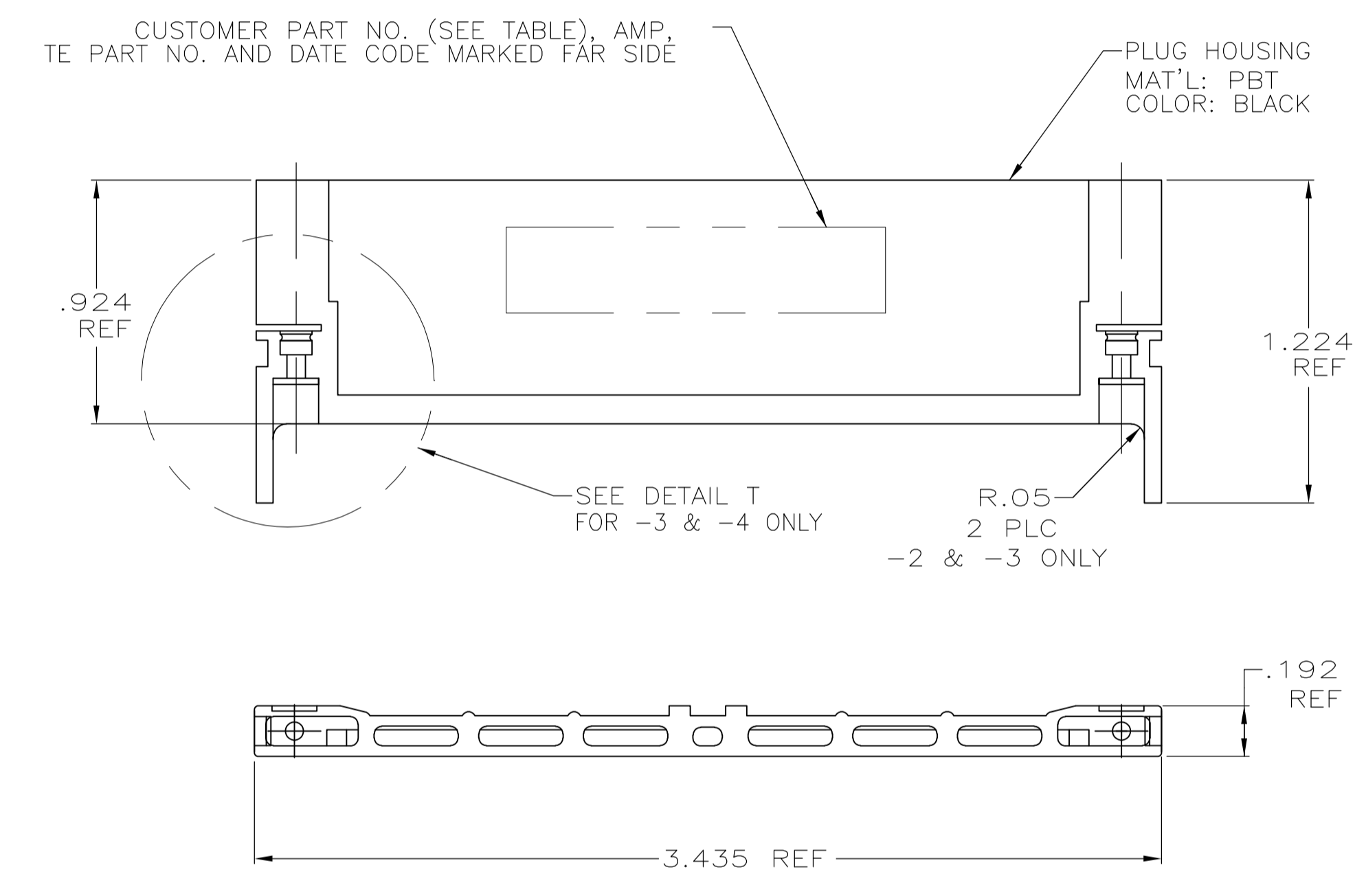
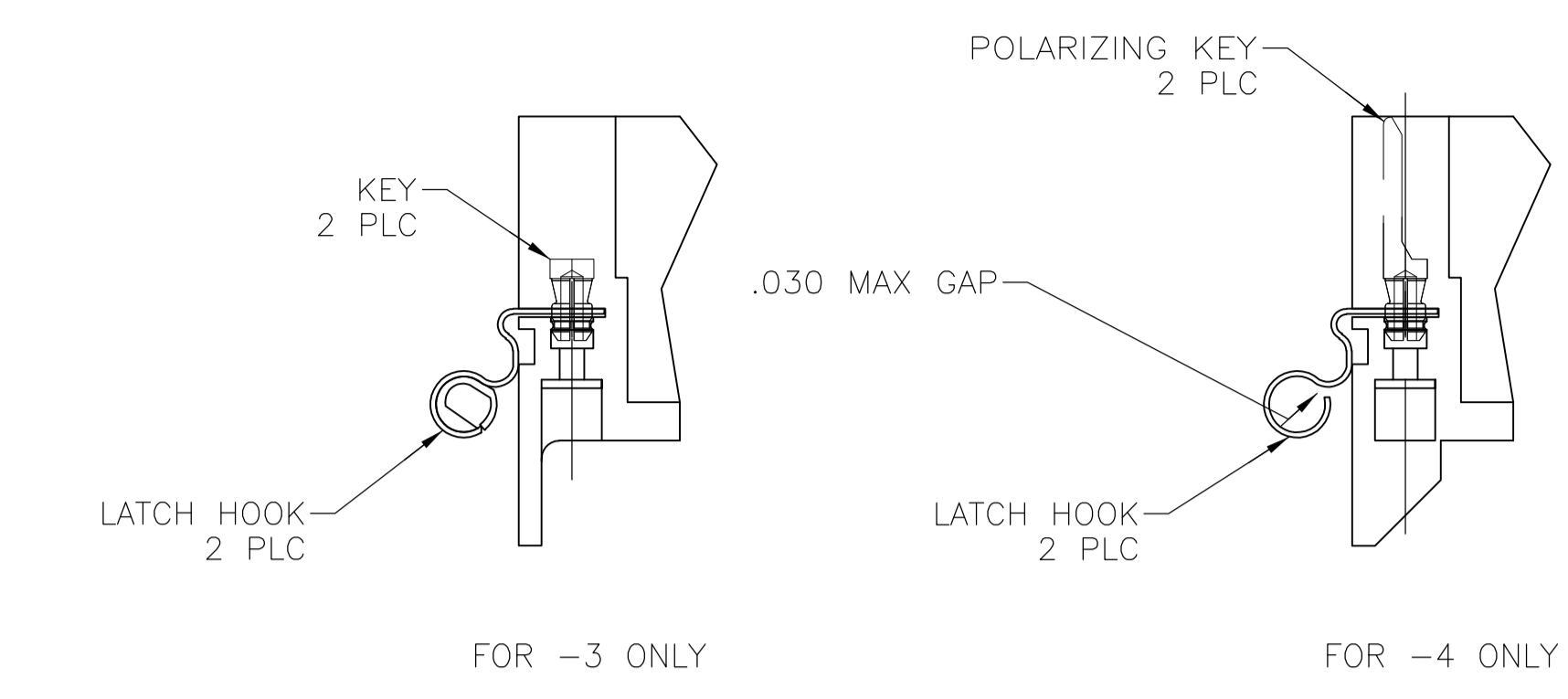
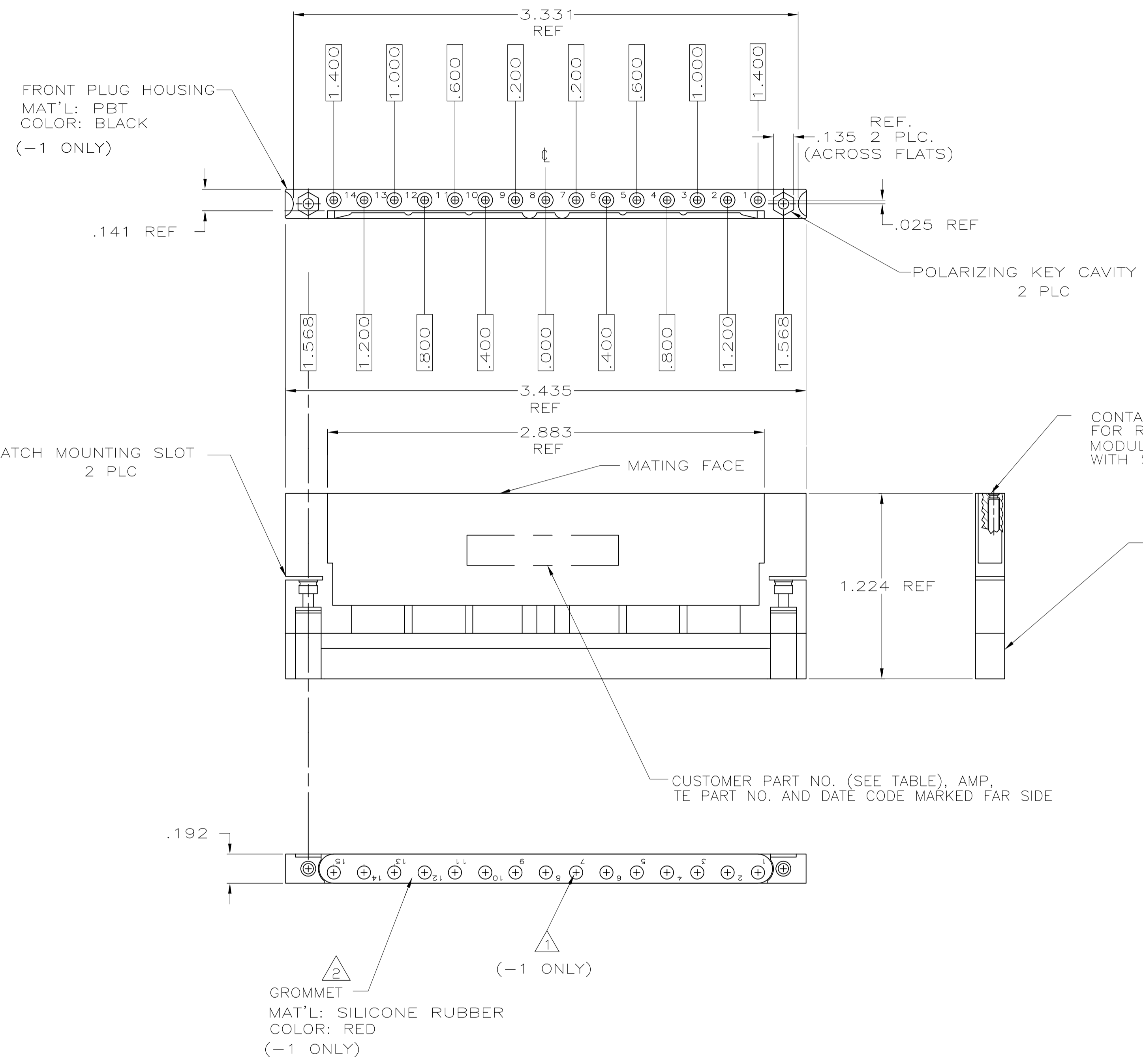


LOC		DIST		REVISIONS			
DF	AO	REV	PER	DESCRIPTION	DATE	DWN	APVD
N		REV PER	ECO-08-003154		18MAR08	PY	KT



- △ CONTACT RETENTION CLIP (NOT SHOWN)
 MATERIAL: STAINLESS STEEL
- △ GAP ALLOWABLE BETWEEN THE SIDE OF THE HOUSING AND THE SIDE OF THE GROMMET, UP TO .016

CUSTOMER MARKING	DESCRIPTION	PART NUMBER
-	SAME AS -2 EXCEPT SEE DETAIL T	213408-4
284U1396-3	SAME AS -2 EXCEPT SEE DETAIL T	213408-3
-	SAME AS -1 EXCEPT AS SHOWN	213408-2
-	AS SHOWN	213408-1

THIS DRAWING IS A CONTROLLED DOCUMENT.		DWN C.C.THOMAS 2-14-02	Tyco Electronics Corporation Harrisburg, PA 17105-3608	
DIMENSIONS: INCHES	TOLERANCES UNLESS OTHERWISE SPECIFIED:	CHK S.GLATFELTER 2-14-02	NAME S.GLATFELTER 2-14-02	
0 PLC ± -	1 PLC ± -	PRODUCT SPEC	PLUG ASSY, 15 POSN., WIRE INTEGRATION CONNECTOR	
2 PLC ± -	3 PLC ± -	APPLICATION SPEC	SIZE	CAGE CODE DRAWING NO
4 PLC ± -	ANGLES ± -	WEIGHT	A1	00779
MATERIAL SEE CALLOUTS	FINISH	CUSTOMER DRAWING	SCALE	2:1
		SHEET		1 OF 1
		REV		N