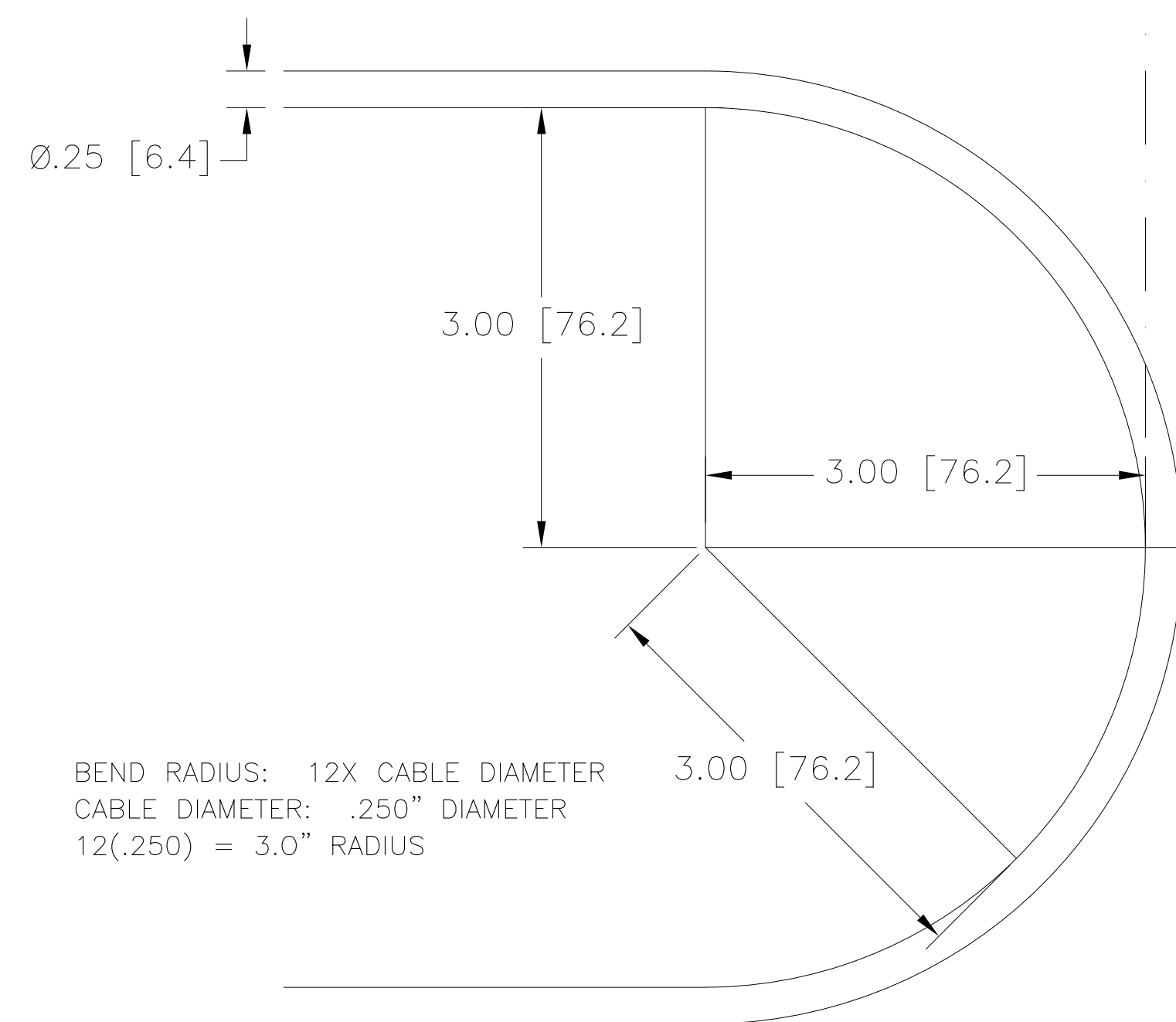
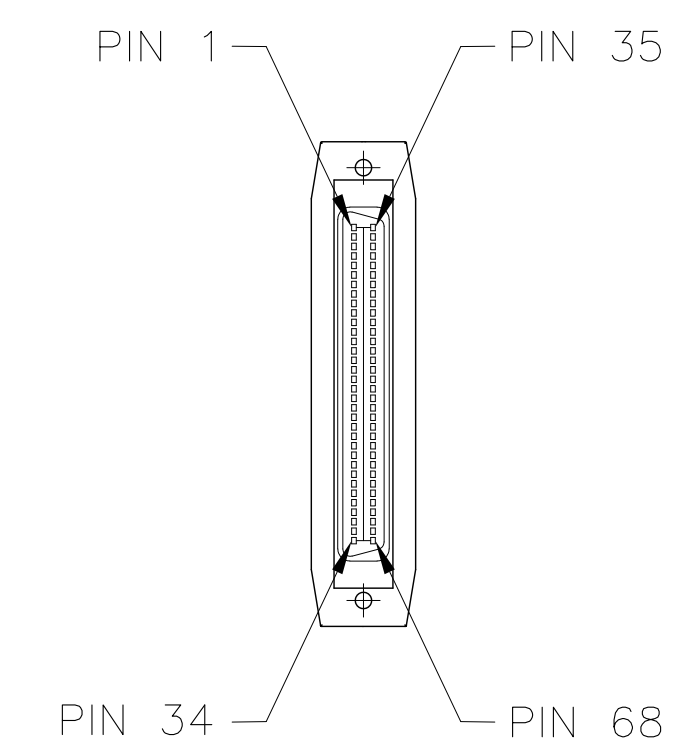
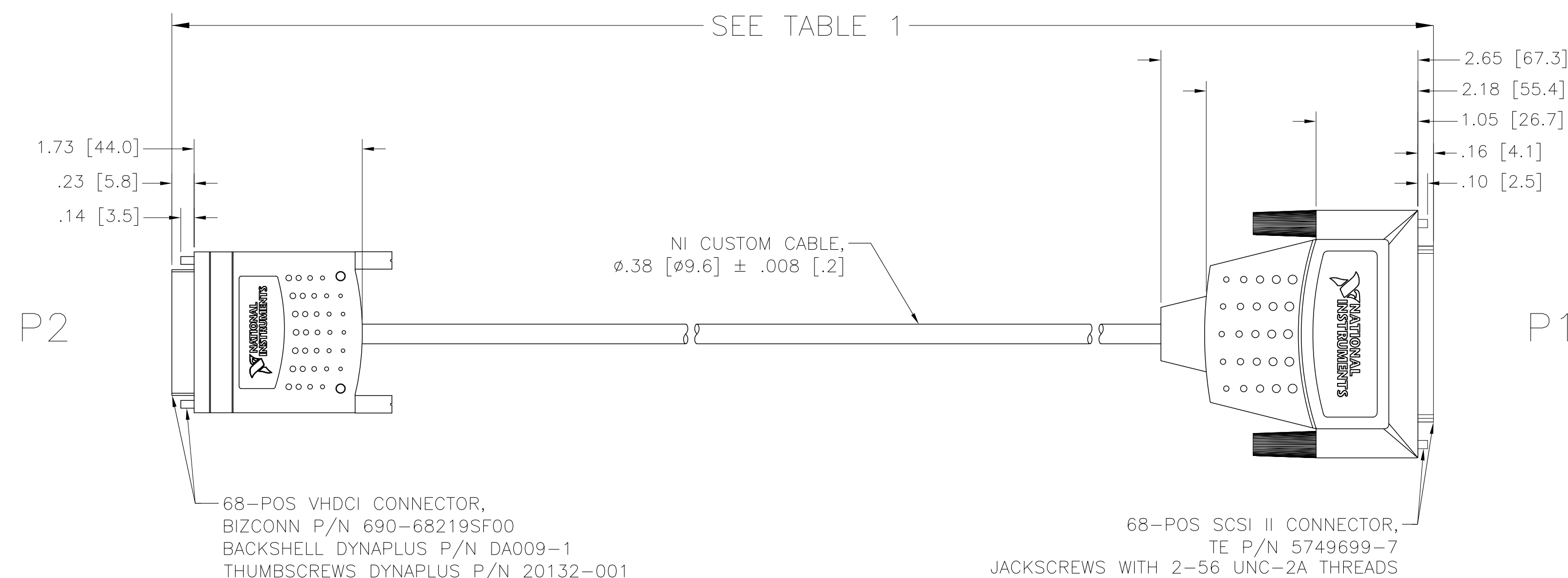
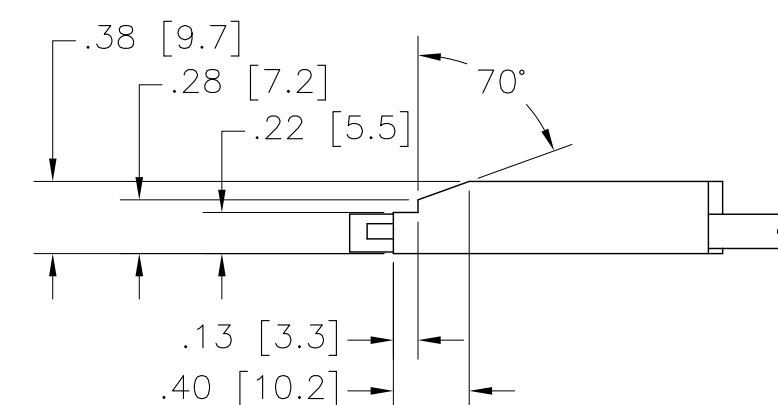
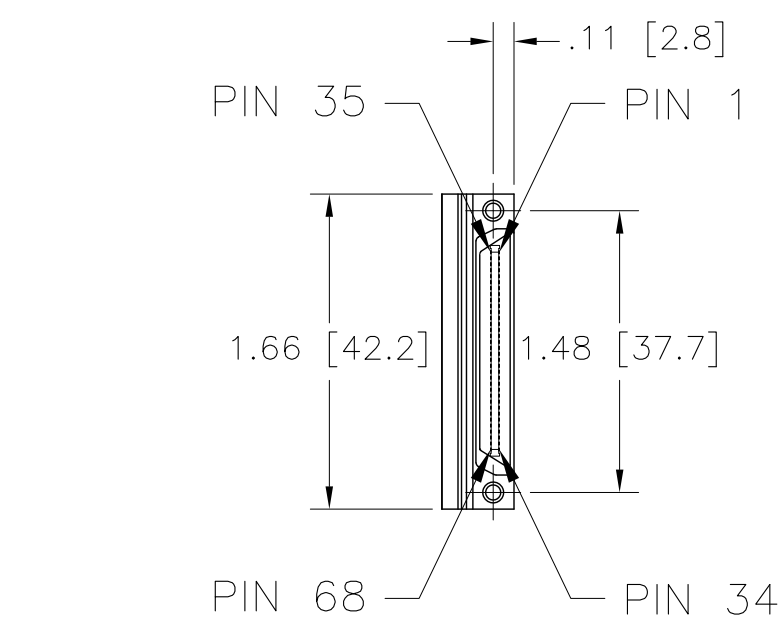


CUSTOMER DRAWING COMPATIBILITY			
REV	DESCRIPTION	DATE	APPROVED
A	DRAWING COMPATIBLE, OBSOLETE		
B	DRAWING COMPATIBLE, OBSOLETE		
C	DRAWING COMPATIBLE, OBSOLETE		
D	DRAWING COMPATIBLE, RELEASED		



BEND RADIUS: 12X CABLE DIAMETER
CABLE DIAMETER: .250" DIAMETER
12(.250) = 3.0" RADIUS

BEND RADIUS EXAMPLE

WIRE LIST			
PAIR	P1	MAIN COLOR/RING COLOR MAIN COLOR/LINE COLOR	P2
1	1	BLACK	1
	35	BLACK/WHITE	35
2	2	BROWN	2
	36	BROWN/WHITE	36
3	3	RED	3
	37	RED/WHITE	37
4	4	ORANGE	4
	38	ORANGE/WHITE	38
5	5	YELLOW	5
	39	YELLOW/WHITE	39
6	6	GREEN	6
	40	GREEN/WHITE	40
7	7	BLUE	7
	41	BLUE/WHITE	41
8	8	PURPLE	8
	42	PURPLE/WHITE	42
9	9	GRAY	9
	43	GRAY/BROWN	43
10	10	BROWN/BLACK	10
	44	BLACK/YELLOW	44
11	11	RED/BLACK	11
	45	RED/YELLOW	45
12	12	ORANGE/BLACK	12
	46	ORANGE/YELLOW	46
13	13	YELLOW/BLACK	13
	47	BROWN/YELLOW	47
14	14	GREEN/BLACK	14
	48	GREEN/YELLOW	48
15	15	BLUE/BLACK	15
	49	BLUE/YELLOW	49
16	16	PURPLE/BLACK	16
	50	PURPLE/YELLOW	50
17	17	GRAY/BLACK	17
	51	GRAY/YELLOW	51

WIRE LIST (CONT.)			
PAIR	P1	MAIN COLOR/RING COLOR MAIN COLOR/LINE COLOR	P2
18	18	WHITE/BLACK	18
	52	WHITE/YELLOW	52
19	19	BLACK/RED	19
	53	BLACK/BLUE	53
20	20	BROWN/RED	20
	54	BROWN/BLUE	54
21	21	ORANGE/RED	21
	55	RED/BLUE	55
22	22	YELLOW/RED	22
	56	YELLOW/BLUE	56
23	23	GREEN/RED	23
	57	GREEN/BLUE	57
24	24	BLUE/RED	24
	58	ORANGE/BLUE	58
25	25	PURPLE/RED	25
	59	PURPLE/BLUE	59
26	26	GRAY/RED	26
	60	GRAY/BLUE	60
27	27	WHITE/RED	27
	61	WHITE/BLUE	61
28	28	BLACK/BROWN	28
	62	BLACK/GREEN	62
29	29	YELLOW/BROWN	29
	63	BROWN/GREEN	63
30	30	RED/BROWN	30
	64	RED/GREEN	64
31	31	ORANGE/BROWN	31
	65	ORANGE/GREEN	65
32	32	GREEN/BROWN	32
	66	YELLOW/GREEN	66
33	33	BLUE/BROWN	33
	67	BLUE/GREEN	67
34	34	PURPLE/BROWN	34
	68	PURPLE/GREEN	68
SHIELD	SHELL	OUTER SHIELD	SHELL

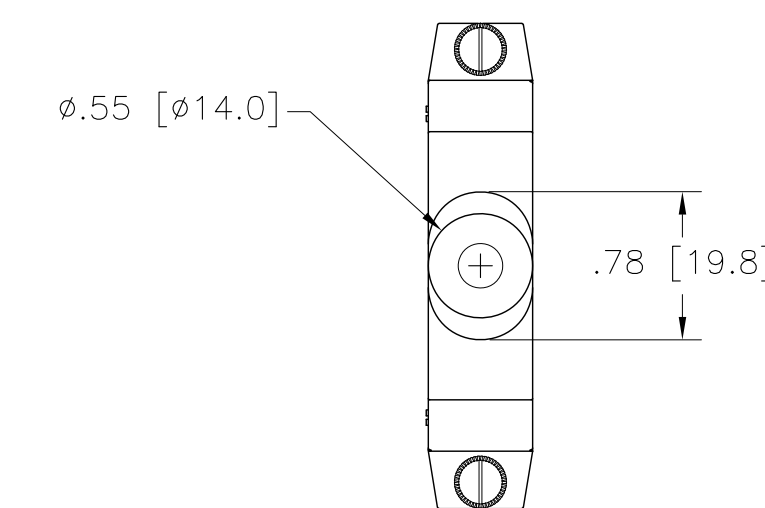
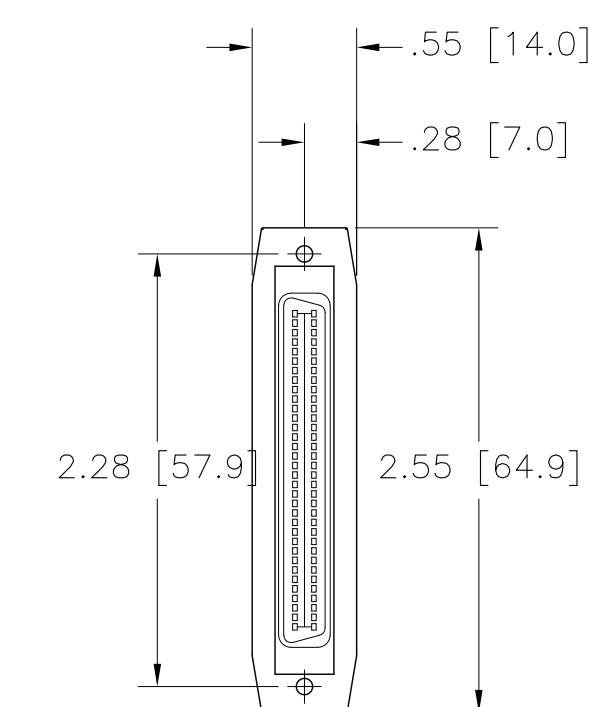


TABLE 1	
LENGTH	TOLERANCE
<2M	+5 CM/-0 CM
2 TO 5M	+10 CM/-0 CM
>5M	+15 CM/-0 CM

CONDUCTOR SPECIFICATIONS

CONDUCTOR: 30AWG 7/38 TIN PLATED COPPER, .012 INCH DIAMETER
INSULATION: .0065 INCHES OF POLYPROPYLENE, .025 INCH DIAMETER
BEND RADIUS: 12X CABLE DIAMETER (SEE EXAMPLE) PER SPECIFICATIONS
2014 NEC SECTION 300.34 CONDUCTOR BEND RADIUS
2014 NEC SECTION 300.24 BENDING RADIUS

1. REFER TO PRODUCT MANUAL ON NI.COM FOR MORE DETAILS.
NOTES: UNLESS OTHERWISE SPECIFIED.

CUSTOMER DRAWING

UNLESS OTHERWISE SPECIFIED DIMENSIONS ARE IN INCHES AND [MILLIMETERS]	NATIONAL INSTRUMENTS® AUSTIN, TEXAS
	TITLE SHC68-68
DO NOT SCALE DRAWING THIRD ANGLE PROJECTION	SIZE CODE IDENT NO. DRAWING NO. D 7U296 10/04/16
SCALE: 1/1	SHEET 1 OF 1