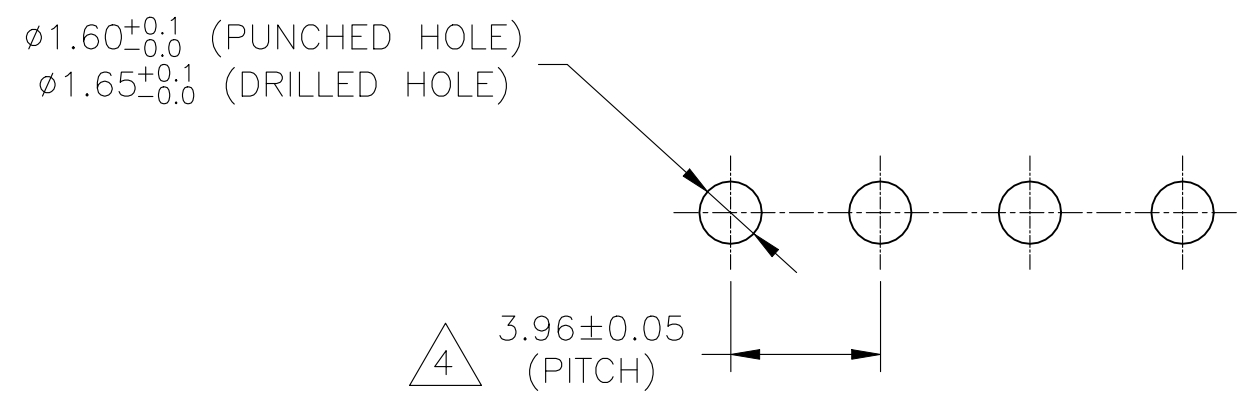
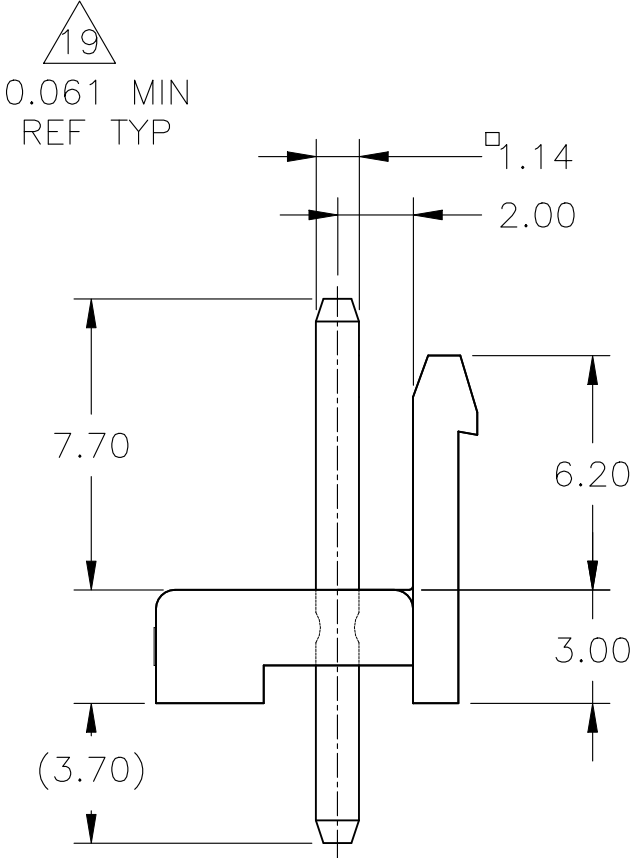
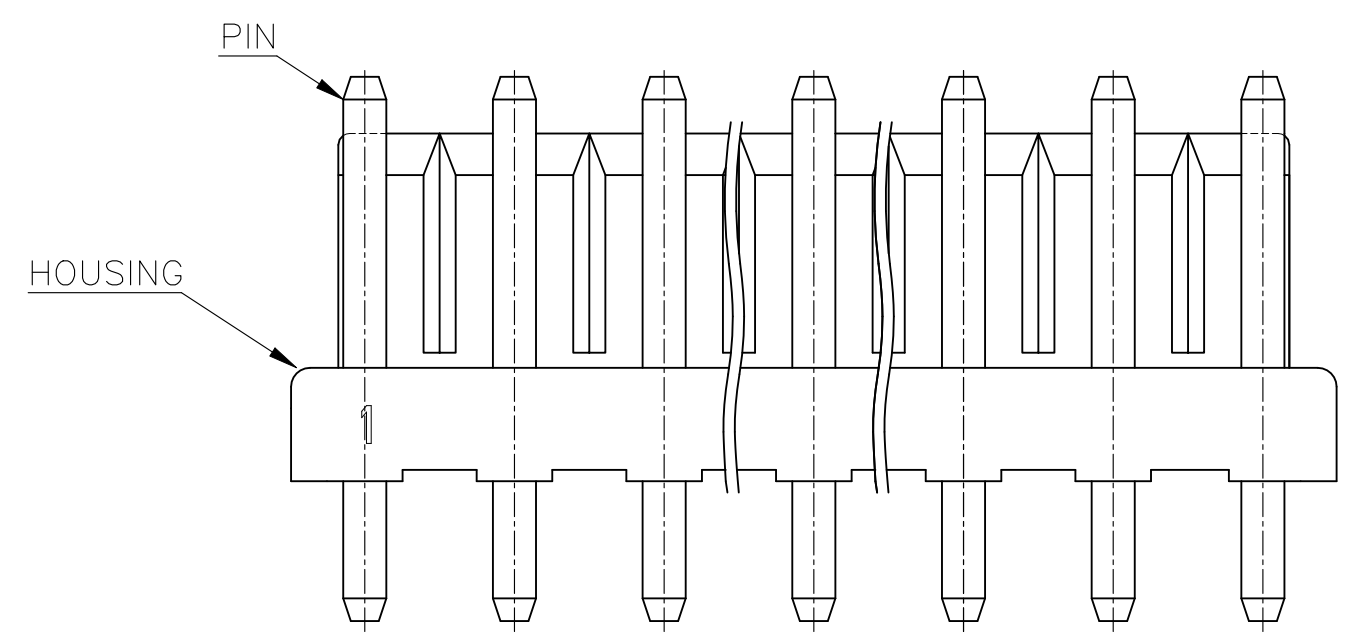
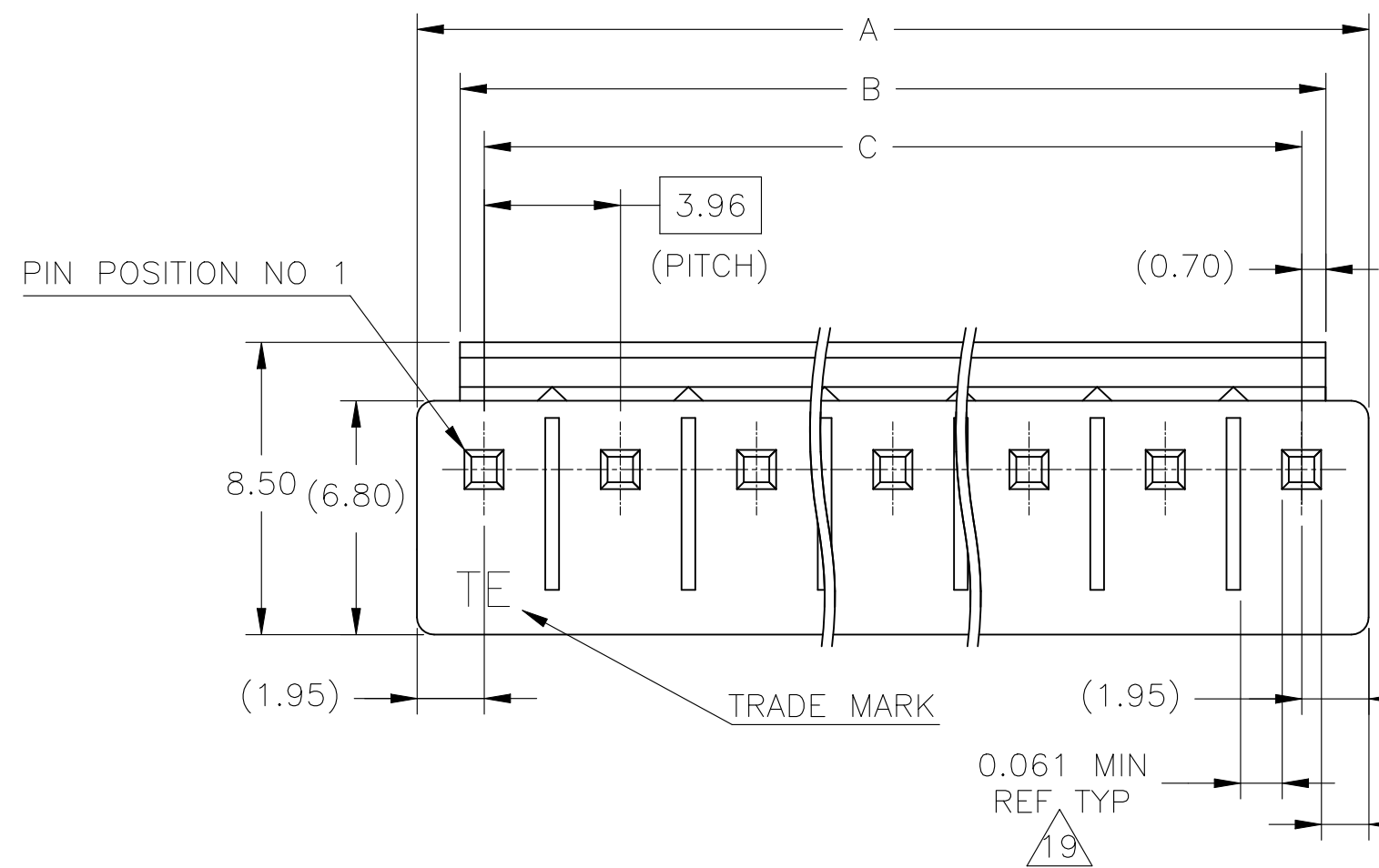


THIS DRAWING IS UNPUBLISHED. RELEASED FOR PUBLICATION
 © COPYRIGHT - By - ALL RIGHTS RESERVED.

REVISIONS				
P	LTR	DESCRIPTION	DATE	APVD
AA5		REVISED PER ECR-22-129998	12APR2022	WH LC



2 FIG.1

- 1 MATING CONN P/N: \square -1123722- \square
- 2 APPLICABLE P.C.B LAYOUT: SEE FIG. 1
- 3 APPLICABLE P.C.B THICKNESS: 1.60
- 4 SKETCHES SHOW NO PINS MISSING.
- 6 PIN: POST TIN OVER BRASS
- 7 HOUSING: PBT, 30% GLASS, UL94-V0(ONLY NATURAL COLOR).
- 8 ○ : WITH PIN, X : WITHOUT PIN.
- 10 SUPERSEDED BY 1744489-2.
- 11 SUPERSEDED BY 1744489-4.
- 12 SUPERSEDED BY 1744489-5.
- 13 SUPERSEDED BY 1744489-6.
- 14 SUPERSEDED BY 1744489-7.
- 15 SUPERSEDED BY 1744489-8.
- 16 SUPERSEDED BY 1744489-9.
- 17 SUPERSEDED BY 1-1744489-0.
- 18 SUPERSEDED BY 1-1744489-1.
- 19 VALUES FOR UL 61800-5-1, ONLY NATURAL COLOR.

Flam	RTIe deg C	HWI	HAI	CTI
V0	130	PLC 2	PLC 4	PLC 2_UL746

20 PRELIMINARY: NOT FOR PRODUCTION

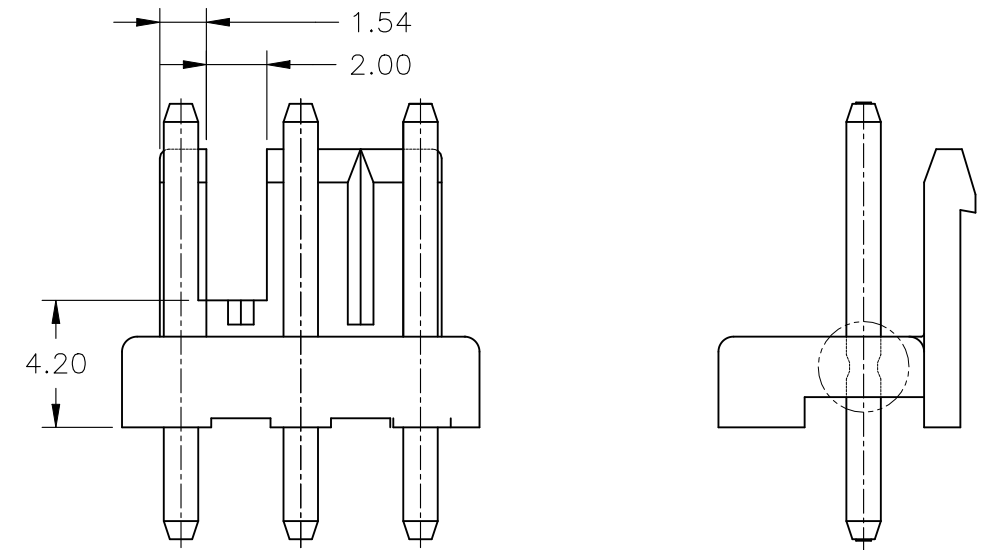
THIS DRAWING IS A CONTROLLED DOCUMENT.		DWN N.YAMASAKI 13MAR'01	TE Connectivity	
DIMENSIONS: mm		CHK M.SHINDO 13MAR'01		
TOLERANCES UNLESS OTHERWISE SPECIFIED:		APVD Y.KASHIWA 13MAR'01	NAME 3.96MM PITCH ECONOMY POWER(EP) CONN HEADER ASSY	
0 PLC ±		PRODUCT SPEC 108-5609	SIZE A2	
1 PLC ± 0.50		APPLICATION SPEC 114-32134	CAGE CODE 00779	DRAWING NO C=1123723
2 PLC ± 0.30		WEIGHT -	SCALE N/A	SHEET 1 OF 2
3 PLC ±		MATERIAL SEE TABLE	REV AA5	RESTRICTED TO -
4 PLC ±		FINISH SEE TABLE	CUSTOMER DRAWING	
ANGLES ± 3°				

1123723

THIS DRAWING IS UNPUBLISHED. RELEASED FOR PUBLICATION
 © COPYRIGHT - By - ALL RIGHTS RESERVED.

REVISIONS					
P	LTR	DESCRIPTION	DATE	DWN	APVD
-	-	SEE SHEET 1	-	-	-

PIN POSITION	"C"	"B"REF	"A"REF	COLOR	POS	ASS'Y P/N
1				NATURAL		7-1123723-8
2				GREEN		6-1123723-8
3				BLACK		5-1123723-8
4				RED	8	4-1123723-8
5				BLUE		3-1123723-8
6				YELLOW		2-1123723-8
7				NATURAL		1-1123723-8
8	27.72	29.12	31.62	NATURAL		7-1123723-7
9				GREEN		6-1123723-7
10				BLACK		5-1123723-7
11				RED	7	4-1123723-7
12				BLUE		3-1123723-7
13				YELLOW		2-1123723-7
14				NATURAL		1-1123723-7
15				NATURAL		7-1123723-6
16				GREEN		6-1123723-6
17				BLACK		5-1123723-6
18				RED	6	4-1123723-6
19				BLUE		3-1123723-6
20				YELLOW		2-1123723-6
21				NATURAL		1-1123723-6
22				NATURAL		7-1123723-5
23				GREEN		6-1123723-5
24				BLACK		5-1123723-5
25				RED	5	4-1123723-5
26				BLUE		3-1123723-5
27				YELLOW		2-1123723-5
28				NATURAL		1-1123723-5
29				NATURAL		7-1123723-4
30				GREEN		6-1123723-4
31				BLACK		5-1123723-4
32				RED	4	4-1123723-4
33				BLUE		3-1123723-4
34				YELLOW		2-1123723-4
35				NATURAL		1-1123723-4
36				NATURAL		8-1123723-3
37				NATURAL		7-1123723-3
38				GREEN		6-1123723-3
39				BLACK		5-1123723-3
40				RED	3	4-1123723-3
41				BLUE		3-1123723-3
42				YELLOW		2-1123723-3
43				NATURAL		1-1123723-3
44				NATURAL		7-1123723-2
45				GREEN		6-1123723-2
46				BLACK		5-1123723-2
47				RED	2	4-1123723-2
48				BLUE		3-1123723-2
49				YELLOW		2-1123723-2
50				NATURAL		1-1123723-2
51	3.96	5.36	7.86	NATURAL		7-1123723-1
52				GREEN		6-1123723-1
53				BLACK		5-1123723-1
54				RED	11	4-1123723-1
55				BLUE		3-1123723-1
56				YELLOW		2-1123723-1
57				NATURAL		1-1123723-1
58				NATURAL		7-1123723-0
59				GREEN		6-1123723-0
60				BLACK		5-1123723-0
61				RED	10	4-1123723-0
62				BLUE		3-1123723-0
63				YELLOW		2-1123723-0
64				NATURAL		1-1123723-0
65				NATURAL		7-1123723-9
66				GREEN		6-1123723-9
67				BLACK		5-1123723-9
68				RED	9	4-1123723-9
69				BLUE		3-1123723-9
70				YELLOW		2-1123723-9
71				NATURAL		1-1123723-9



8-1123723-3 SHOW $\Delta 20$

PIN POSITION	"C"	"B"REF	"A"REF	COLOR	POS	ASS'Y P/N
1				NATURAL		8-1123723-1
2				GREEN		6-1123723-1
3				BLACK		5-1123723-1
4				RED	11	4-1123723-1
5				BLUE		3-1123723-1
6				YELLOW		2-1123723-1
7				NATURAL		1-1123723-1
8				NATURAL		7-1123723-0
9				GREEN		6-1123723-0
10				BLACK		5-1123723-0
11				RED	10	4-1123723-0
12				BLUE		3-1123723-0
13				YELLOW		2-1123723-0
14				NATURAL		1-1123723-0
15				NATURAL		7-1123723-9
16				GREEN		6-1123723-9
17				BLACK		5-1123723-9
18				RED	9	4-1123723-9
19				BLUE		3-1123723-9
20				YELLOW		2-1123723-9
21				NATURAL		1-1123723-9

THIS DRAWING IS A CONTROLLED DOCUMENT.

DWN N.YAMASAKI 13MAR'01	 TE Connectivity
CHK M.SHINDO 13MAR'01	
APVD Y.KASHIWA 13MAR'01	
PRODUCT SPEC 108-5609	
MATERIAL SEE TABLE	APPLICATION SPEC 114-32134
NAME 3.96MM PITCH ECONOMY POWER(EP) CONN HEADER ASSY	
WEIGHT -	SIZE A2
CUSTOMER DRAWING	CAGE CODE 00779
SCALE N/A	DRAWING NO C=1123723
SHEET 2 OF 2	RESTRICTED TO -
REV AA5	