

6

5

4

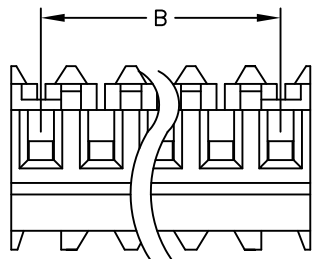
3

2

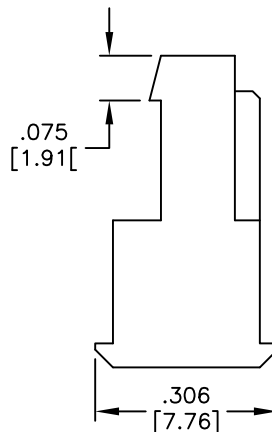
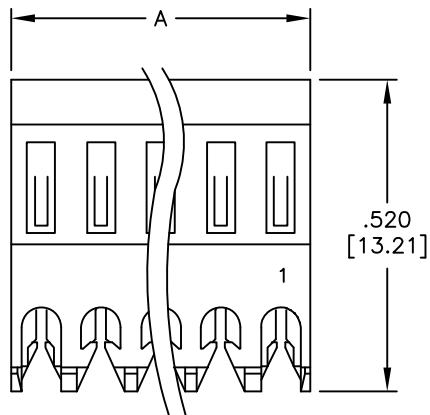
1

APPROVED: \_\_\_\_\_  
DATE: \_\_\_\_\_ TITLE: \_\_\_\_\_

Rev	AWO #	Description	Date	Appr
-		RELEASED	7/26/06	
A		REDRAWN	11/26/10	
B		UPDATED BORDER	12/20/19	SS



PART NUMBER	WIRE SIZE	INSULATOR COLOR	CONTACT RESISTANCE
MTD-A-XX-C-1	22 AWG	RED	10mΩ Max.
MTD-A-XX-D-1	24 AWG	WHITE	15mΩ Max.
MTD-A-XX-E-1	26 AWG	BLUE	20mΩ Max.
MTD-A-XX-F-1	28 AWG	GREEN	30mΩ Max.



SPECIFICATIONS:

Material:  
Insulator: Nylon 66, rated UL 94V-2  
Contacts: Phosphor Bronze

Plating:  
Tin over Copper underplate overall

Electrical:  
Operating voltage: 250V AC/DC max.  
Current rating: 3 Amps max.  
Insulation resistance: 1,000 Mohms min.  
Dielectric withstanding voltage: 1,500 VAC for 1 minute  
Temperature Rating:

Operating temperature: -40°C to +105°C

Environmental:  
Lead free, RoHS compliant



Positions: 2 thru 24  
A = .100 [2.54] x No. of Positions  
B = .100 [2.54] x No. of Spaces

UNLESS OTHERWISE SPECIFIED ALL DIMENSIONS ARE INCHES [MM] TOLERANCES: EXCEPT AS NOTED		 909 Rahway Avenue, Union, NJ 07083 Phone: 908-687-5000 Fax: 908-687-5710	
INCHES HOLES			
.X ± .10	Ø.X ± .10	<b>TITLE</b> IDC MASS TERMINATION HOUSING .100 [2.54] SPACING, FEED THRU	
.XX ± .020	Ø.XX ± .015		
.XXX ± .015	Ø.XXX ± .010	<b>SIZE</b> X	
<b>APPROVALS</b> DRAWN: SS CHECKED: _____ APPROVED: _____		<b>DATE</b> 7/26/06	
<b>PART NO.</b> MTD-A-XX-X-1		<b>REV.</b> B	
REF: S00004T		SCALE: NTS	
SHEET 1 OF 1			

6

5

4

3

2

1