

REV. G

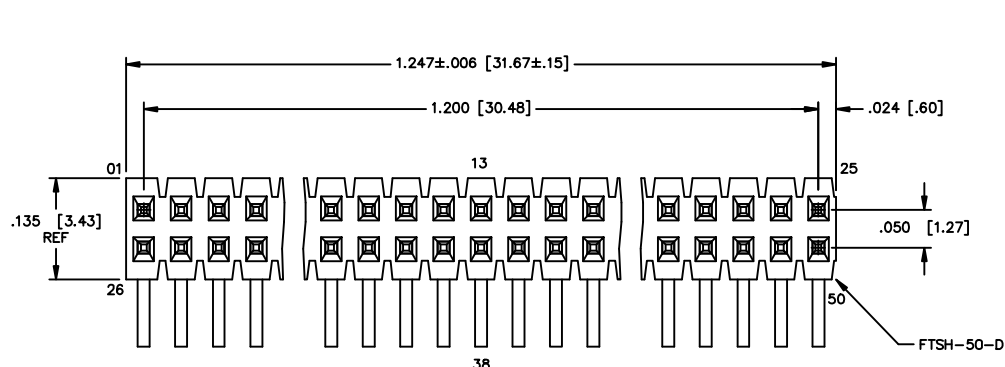
PLOT SCALE: .125/ DIMSCALE: .1000

UNLESS OTHERWISE NOTED TOLERANCES ARE:
 DIMENSIONS ARE IN INCHES
 ONE PLACE DECIMALS ± .1[2.54] THREE PLACE DECIMALS ± .005[.13]
 TWO PLACE DECIMALS ± .01[.25] FOUR PLACE DECIMALS ± .002[.051]

ANGLES ± 2°

TITLE:
 .050 x .050 C.L.
 HOT PLUGGABLE
 TERMINAL STRIP

DWG NO:
 HPT-125-XX-XX-D-XX
 SHEET 1 OF 1



HPT-125-XX-XX-D-XX

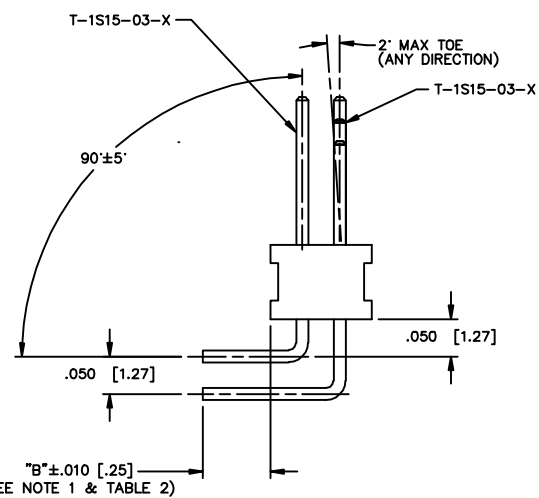
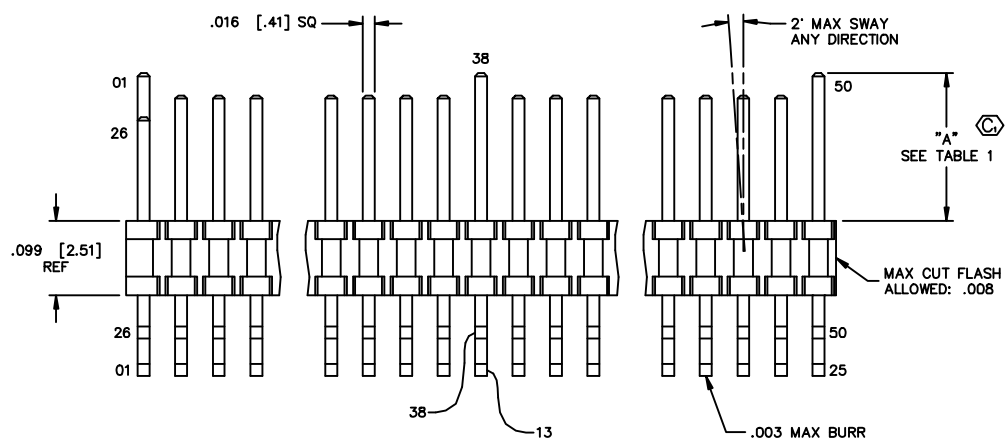
No. OF POS
 -25
 (PER ROW)

LEAD STYLE
 -01: RIGHT ANGLE THROUGH HOLE

TAIL SPECIFICATION
 -RA: RIGHT ANGLE
 -FC: FLEX CARD
 (FOR USE WITH FCF)
 -FE: FLEX CARD (ELEVATED)
 (FOR USE WITH FCF)

ROW SPECIFICATION
 -D: DOUBLE ROW
 (USE FTSH-50-D)

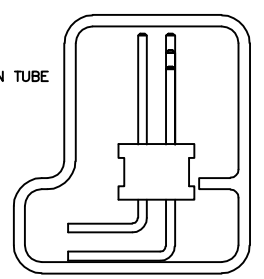
PLATING
 -L: LIGHT SELECTIVE GOLD
 (USE T-1S15-03-L)
 -S: SELECTIVE GOLD
 (USE T-1S15-03-S)
 -LM: LIGHT SELECTIVE GOLD, MATTE TIN TAIL
 (USE T-1S15-03-L)
 -SM: SELECTIVE GOLD, MATTE TIN TAIL
 (USE T-1S15-03-S)



DO NOT SCALE FROM THIS PRINT

PACKAGING VIEW

PT-1-24-01-45
 TP-03
 PARTS TO BE PACKAGED IN TUBE AS SHOWN.



SCALE: .75x

POSITION NUMBER	"A" $\text{\textcircled{C}}$
25, 26	.138 [3.51]
01, 13, 38, 50	.197 [5.00]
ALL OTHERS	.167 [4.24]

OPTION	"B"
-RA	.090 [2.29]
-FC	.150 [3.81]
-FE	.283 [7.19]

- NOTES:
1. TERMINALS TO BE SHEARED TO MEET DIMENSION SPECIFICATION.
 2. MINIMUM PUSHOUT FORCE: .5 LB.
 3. PARTS TO BE PACKAGED IN TUBE AS SHOWN.
 4. $\text{\textcircled{C}}$ REPRESENTS A CRITICAL DIMENSION.

PROPRIETARY NOTE
 THIS DOCUMENT CONTAINS INFORMATION CONFIDENTIAL AND PROPRIETARY TO SAMTEC INC. AND SHALL NOT BE REPRODUCED OR TRANSMITTED TO OTHER DOCUMENTS OR DISCLOSED TO OTHERS OR USED FOR ANY PURPOSE OTHER THAN THAT FOR WHICH IT WAS OBTAINED WITHOUT THE EXPRESSED WRITTEN CONSENT OF SAMTEC INC.

MATERIAL:
 BODY: LIQUID CRYSTAL POLYMER
 COLOR: BLACK
 CONTACT: PHOSPHOR BRONZE

samtec

520 PARK EAST BLVD. NEW ALBANY, INDIANA 47150
 PHONE (812) 944-6733 P.O. BOX 1147
 CODE 55322

MADE BY:
 PURVIS 09-19-97

HPT-125-XX-XX-D-XX
 SHEET 1 OF 1