



Main

| | |
|---------------------------|------------------------------|
| Range of Product | Modicon TM5 |
| Product or Component Type | CANopen communication module |

Complementary

| | |
|--------------------------------|---|
| Range Compatibility | Modicon LMC058 Modicon LMC078 Modicon M258 |
| Product Compatibility | Motion controller Logic controller |
| Integrated connection type | 1 isolated serial link, male SUB-D 9 CANopen, 10, 20, 50, 125, 250, 500, 800, 1000 Kbit/s and autodetected |
| Current consumption | 300 mA |
| Device composition | Interface module Bus base ordered separately Power supply ordered separately Terminal block ordered separately |
| Maximum power dissipation in W | 1.5 W |
| Color | White |
| Local signalling | 1 LED green/red power supply (PWR) 1 LED green/red CAN status (RUN) 1 LED red CAN status (ERROR) 1 LED yellow controller communication status on TM5 bus (TxD) |
| Electrical connection | Removable spring terminal block |
| Marking | CE |
| Net Weight | 0.11 lb(US) (0.05 kg) |

Environment

| | |
|---------------------------------------|--|
| Standards | CSA C22.2 No 213 IEC 61131-2 UL 508 CSA C22.2 No 142 |
| Product Certifications | CULus C-tick CSA GOST-R |
| Ambient air temperature for operation | 14...131 °F (-10...55 °C) without derating horizontal installation) 14...140 °F (-10...60 °C) with derating factor horizontal installation) 14...122 °F (-10...50 °C) vertical installation) |
| Ambient Air Temperature for Storage | -40...158 °F (-40...70 °C) |
| Relative Humidity | 5...95 % without condensation |
| IP degree of protection | IP20IEC 61131-2 |
| Pollution degree | 2 IEC 60664 |
| Operating altitude | 0...6561.68 ft (0...2000 m) |
| Storage altitude | 0.00...9842.52 ft (0...3000 m) |

| | |
|---------------------------------------|---|
| Vibration resistance | 1 gn 8.4...150 Hz DIN rail 3.5 mm 5...8.4 Hz DIN rail |
| Shock resistance | 15 gn 11 ms |
| Resistance to electrostatic discharge | 4 KV on contact EN/IEC 61000-4-2 8 kV in air EN/IEC 61000-4-2 |
| Resistance to electromagnetic fields | 0.91 V/m (1 V/m) 2...2.7 GHz EN/IEC 61000-4-3 9.14 V/m (10 V/m) 80 MHz...2 GHz EN/IEC 61000-4-3 |
| Resistance to fast transients | 1 KV EN/IEC 61000-4-4 I/O) 1 KV EN/IEC 61000-4-4 shielded cable) 2 kV EN/IEC 61000-4-4 power lines) |
| Surge withstand | 0.5 KV differential mode EN/IEC 61000-4-5 1 kV common mode EN/IEC 61000-4-5 |
| Electromagnetic compatibility | EN/IEC 61000-4-6 |
| Disturbance radiated/conducted | CISPR 11 |

Ordering and shipping details

| | |
|-----------------------|------------------|
| Category | 22532 - M258 PLC |
| Discount Schedule | PC12 |
| GTIN | 3595864093031 |
| Nbr. of units in pkg. | 1 |
| Package weight(Lbs) | 2.29 oz (65 g) |
| Returnability | No |
| Country of origin | AT |

Packing Units

| | |
|------------------------|-------------------|
| Unit Type of Package 1 | PCE |
| Package 1 Height | 1.18 in (3 cm) |
| Package 1 width | 2.36 in (6 cm) |
| Package 1 Length | 4.13 in (10.5 cm) |

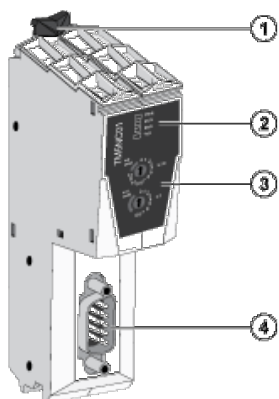
Offer Sustainability

| | |
|----------------------------|---|
| Sustainable offer status | Green Premium product |
| California proposition 65 | WARNING: This product can expose you to chemicals including: Lead and lead compounds, which is known to the State of California to cause cancer and birth defects or other reproductive harm. For more information go to www.P65Warnings.ca.gov |
| REACH Regulation | REACH Declaration |
| REACH free of SVHC | Yes |
| EU RoHS Directive | Pro-active compliance (Product out of EU RoHS legal scope) EU RoHS Declaration |
| Toxic heavy metal free | Yes |
| Mercury free | Yes |
| RoHS exemption information | Yes |
| China RoHS Regulation | China RoHS Declaration |
| Environmental Disclosure | Product Environmental Profile |
| Circularity Profile | End Of Life Information |
| WEEE | The product must be disposed on European Union markets following specific waste collection and never end up in rubbish bins. |
| PVC free | Yes |

Contractual warranty

| | |
|----------|-----------|
| Warranty | 18 months |
|----------|-----------|

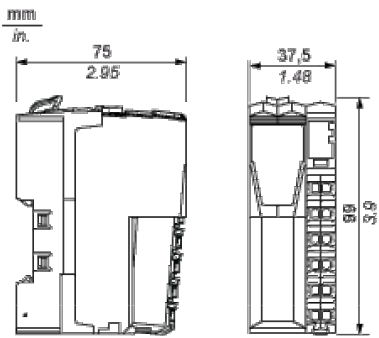
CANopen Interface Module



- (1) Locking clip
- (2) Status LEDs
- (3) CANopen address and bit-rate setting rotary switches
- (4) CANopen bus connector (SUB-D 9)

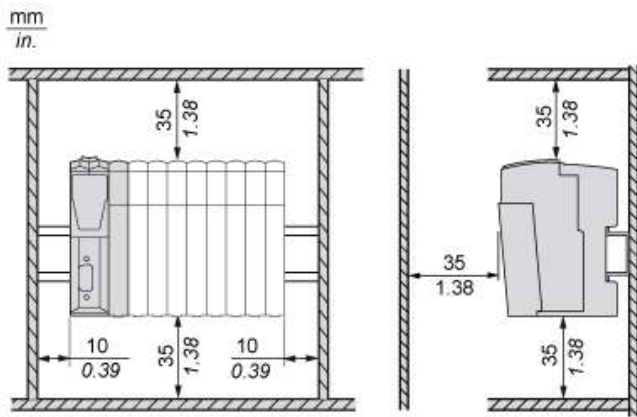
TM5 Field Bus Interface

Dimensions

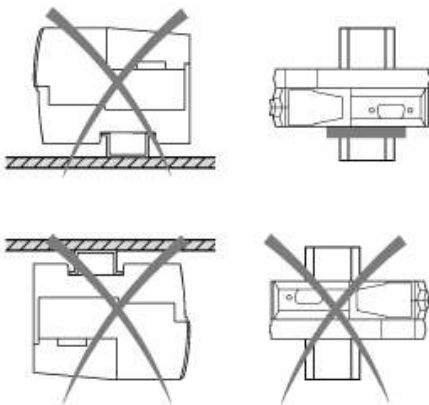


TM5 System

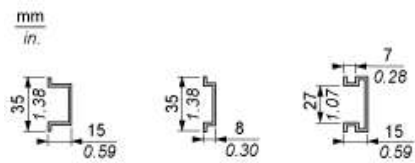
Spacing Requirements



Mounting Position

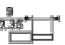






Mounting on a Din Rail



TM5 System Wiring Recommendations

Wire Sizes to Use with the Removable Spring Terminal Blocks

|  $\frac{\text{mm}}{\text{in}}$ |  |  |  |  |
|---|---|---|---|---|
| mm ² | 0,08... 2,5 | 0,25... 2,5 | 0,25... 1,5 | 2 x 0,25... 2 x 0,75 |
| AWG | 28... 14 | 24... 14 | 24... 16 | 2 x 24... 2 x 18 |