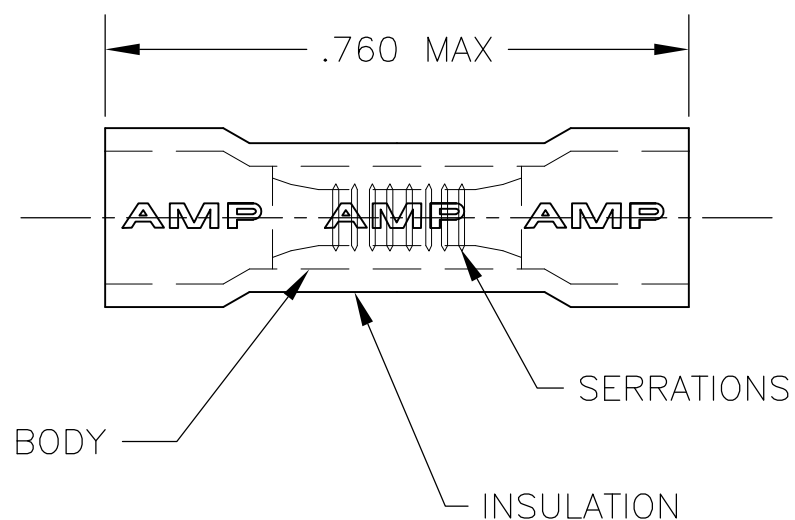


THIS DRAWING IS UNPUBLISHED. RELEASED FOR PUBLICATION
 © COPYRIGHT - By - ALL RIGHTS RESERVED.

LOC	DIST	REVISIONS					
		P	LTR	DESCRIPTION	DATE	DWN	APVD
G	14		D1	REVISED PER ECO-14-019230	02APR2015	NK	DR

1 FOR .115 TO .170 WIRE INSULATION DIA.



1000	LOOSE PIECE	INSULATION: PVC COLOR: BLUE BODY: COPPER (QQ-C-576) TIN PLATE PER ASTM B-545	34134
QTY	PACKAGE TYPE	MATERIAL / FINISH	PART NO

THIS DRAWING IS A CONTROLLED DOCUMENT.		DWN jr_ruth 05SEP03	STE TE Connectivity	
DIMENSIONS: INCHES		CHK T MICHELUTTI 05SEP03		
TOLERANCES UNLESS OTHERWISE SPECIFIED:		APVD T MICHELUTTI 05SEP03	NAME WIRE SPLICE, PARALLEL, PLASTI-GRIP, WIRE SIZE :16-14	
0 PLC ± - 1 PLC ± - 2 PLC ± - 3 PLC ± .005 4 PLC ± - ANGLES ± 1°		PRODUCT SPEC -	SIZE A3	
MATERIAL SEE TABLE		FINISH SEE TABLE	CAGE CODE 00779	DRAWING NO C-34134
		WEIGHT -	RESTRICTED TO -	
		CUSTOMER DRAWING		SCALE 4:1
		SHEET 1 OF 1		REV D1