

- NOTES:**
- MATERIAL: HOUSING - LIQUID CRYSTAL POLYMER (LCP) GLASS-FILLED, UL 94V-0, COLOR - GRAY, ELECTRICALLY ENHANCED GROUND INSERT: CONDUCTIVE RESIN, COLOR - RED, SIGNAL CONTACT AND GROUND BLADE - HIGH PERFORMANCE COPPER ALLOY
 - FINISHES: SELECTIVE GOLD (Au) ON CONTACT AREA, SELECTIVE MATTE TIN (Sn) ON PCB TAILS, NICKEL (Ni) OVERALL.
 - THIS PART CONFORMS TO MOLEX PRODUCT SPECIFICATION PS-75221-999.
 - FOR MIXED CONTACT MATING LENGTHS CONSULT MOLEX FOR AVAILABILITY. CONTACT PAIRS MUST BE THE SAME LENGTH.
 - FOR SPECIFIC PART NUMBER AND MATING INFORMATION PLEASE REFER TO CHART.
 - PACKAGE PER PK-70873-5098.
 - EITHER MARK PART NUMBER AND DATE CODE APPROXIMATELY WHERE SHOWN OR PLACE A LABEL ON THE TUBE.
 - MINIMUM PCB THICKNESS: 1.6
 - THIS PART CONFORMS TO MOLEX COSMETIC SPECIFICATION PS-45499-002 CLASS B.

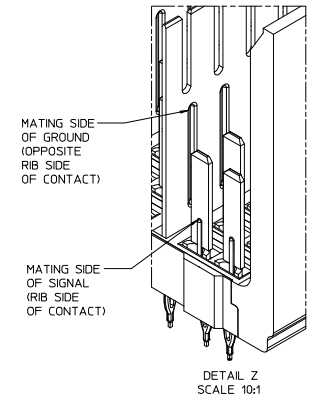
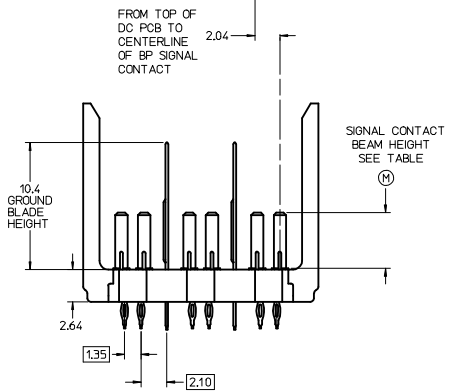
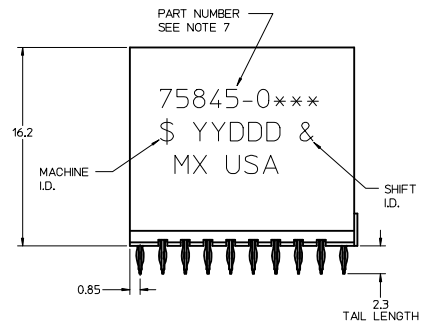
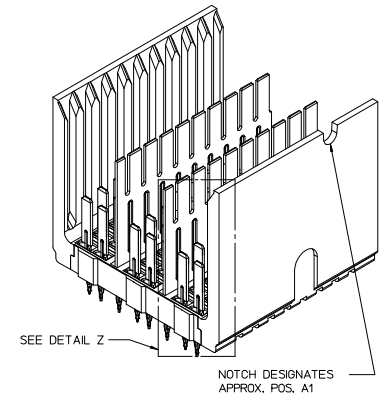
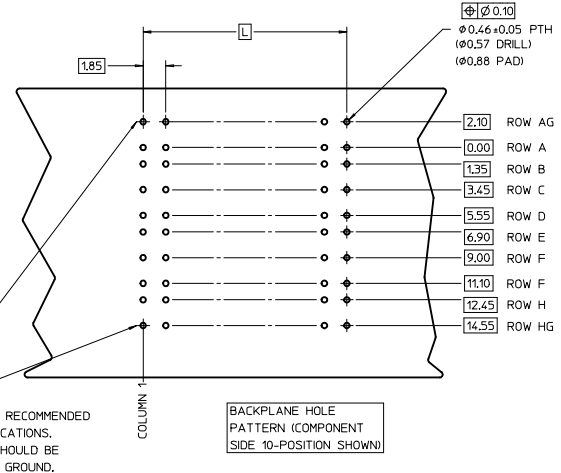
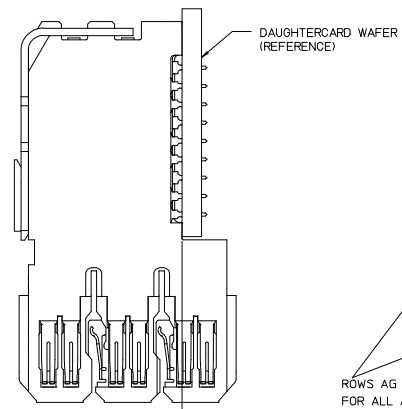
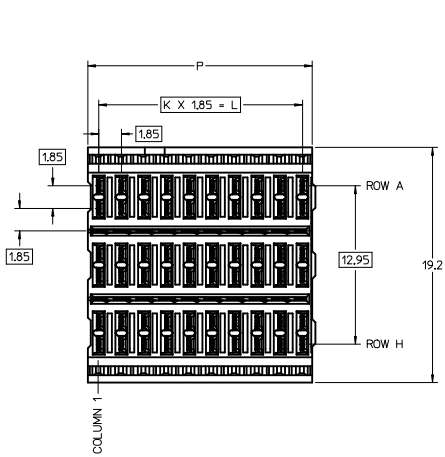
75845-**-0*

COLUMN	PIN LENGTH DIM "M"
01 = 10 COL	3=3.55 mm
02 = 25 COL	4=4.55 mm
05 = 5 COL	5=5.55 mm

PART NUMBER TABLE

ASSY PART NO.	K	L	P	TOTAL NO. OF DIFFERENTIAL PAIRS
75845-050*	4	7.40	9.10	15
75845-010*	9	16.65	18.35	30
75845-020*	24	44.40	46.10	75

INITIAL RELEASE IEC NO: UCP2012-3054 DRAWN BY: SDANNELLEY 2011/09/28 CHECKED BY: CHYKDMORGAN 2013/07/30 APPROVED BY: APPRS:SMILLER 2013/08/26 REV:	QUALITY SYMBOLS	GENERAL TOLERANCES (UNLESS SPECIFIED)	DIMENSION STYLE	SCALE	DESIGN UNITS	THIRD ANGLE PROJECTION
	▽=0	4 PLACES ± mm ± INCH	MM ONLY	5:1	METRIC	
	▽=0	3 PLACES ± mm ± INCH				
	▽=0	2 PLACES ± 0.25 mm ± INCH				
		1 PLACE ± 0.38 mm ± INCH				
		0 PLACE ± mm ± INCH				
		ANGULAR ± ° ± ' ± "				
		DRAFT WHERE APPLICABLE MUST REMAIN WITHIN DIMENSIONS				
			MATERIAL NO.	DOCUMENT NO.		
			SEE TABLE	SD-75845-010		
			THIS DRAWING CONTAINS INFORMATION THAT IS PROPRIETARY TO MOLEX INCORPORATED AND SHOULD NOT BE USED WITHOUT WRITTEN PERMISSION			
			SIZE D			SHEET NO. 1 OF 1



- NOTES:**
- MATERIAL: HOUSING - LIQUID CRYSTAL POLYMER (LCP) GLASS-FILLED, UL 94V-0, COLOR - GRAY, ELECTRICALLY ENHANCED GROUND INSERT: CONDUCTIVE RESIN, COLOR - RED, SIGNAL CONTACT AND GROUND BLADE - HIGH PERFORMANCE COPPER ALLOY
 - FINISHES: SELECTIVE GOLD (Au) ON CONTACT AREA, SELECTIVE MATTE TIN (Sn) ON PCB TAILS, NICKEL (Ni) OVERALL.
 - THIS PART CONFORMS TO MOLEX PRODUCT SPECIFICATION PS-75221-999.
 - FOR MIXED CONTACT MATING LENGTHS CONSULT MOLEX FOR AVAILABILITY. CONTACT PAIRS MUST BE THE SAME LENGTH.
 - FOR SPECIFIC PART NUMBER AND MATING INFORMATION PLEASE REFER TO CHART.
 - PACKAGE PER PK-70873-5098.
 - EITHER MARK PART NUMBER AND DATE CODE APPROXIMATELY WHERE SHOWN OR PLACE A LABEL ON THE TUBE.
 - MINIMUM PCB THICKNESS: 1.6
 - THIS PART CONFORMS TO MOLEX COSMETIC SPECIFICATION PS-45499-002 CLASS B.

75845-**-0*

COLUMN
01 = 10 COL
02 = 25 COL
05 = 5 COL

PIN LENGTH
DIM "M"
3=3.55 mm
4=4.55 mm
5=5.55 mm

PART NUMBER TABLE				
ASSY PART NO.	K	L	P	TOTAL NO. OF DIFFERENTIAL PAIRS
75845-050*	4	7.40	9.10	15
75845-010*	9	16.65	18.35	30
75845-020*	24	44.40	46.10	75

INITIAL RELEASE IEC NO: UCP2012-3054 DRAWN BY: SDANNELLEY 2011/09/28 CHECKED BY: CHYKDMORGAN 2013/07/30 APPROVED BY: APPRS:SMILLER 2013/08/26 REV:	QUALITY SYMBOLS	GENERAL TOLERANCES (UNLESS SPECIFIED)	DIMENSION STYLE	SCALE	DESIGN UNITS	THIRD ANGLE PROJECTION
	▽=0	4 PLACES ± mm ± INCH	MM ONLY	5:1	METRIC	
	▽=0	3 PLACES ± mm ± INCH				
	▽=0	2 PLACES ± 0.25 mm ± INCH				
		1 PLACE ± 0.38 mm ± INCH				
		0 PLACE ± mm ± INCH				
		ANGULAR ± ° ± ' ± "				
		DRAFT WHERE APPLICABLE MUST REMAIN WITHIN DIMENSIONS				
			DRAWN BY: SDANNELLEY 2011/09/28	DATE	TITLE	
			CHECKED BY: MWOLFE 2011/09/28	DATE		
			APPROVED BY: SMILLER 2013/08/26	DATE		
			MATERIAL NO.	DOCUMENT NO.		
			SEE TABLE	SD-75845-010		
			THIS DRAWING CONTAINS INFORMATION THAT IS PROPRIETARY TO MOLEX INCORPORATED AND SHOULD NOT BE USED WITHOUT WRITTEN PERMISSION			
			SIZE D			SHEET NO. 1 OF 1