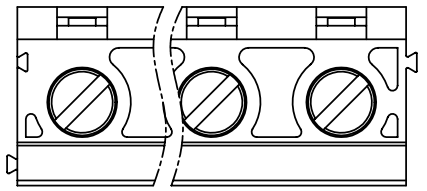


SIGN	DATE	DESCRIPTION	APPROVER
△	12/01'10	Add is " VDE "	Aaron
△	08/11'11	The tolerance is changed	Runner

THIS IS CAD DRAWING, DO NOT REVISE MANUALLY!!!



DIMENSION

Dim L	N×7.62
Dim A	(N-1)×7.62

N=Number of poles

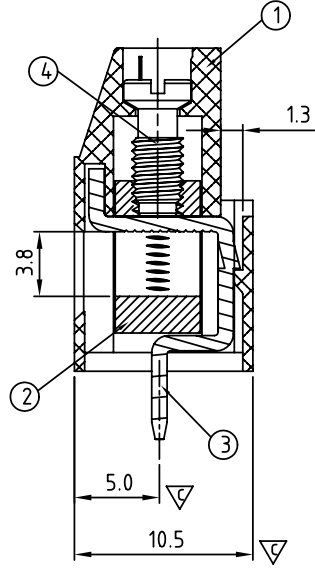
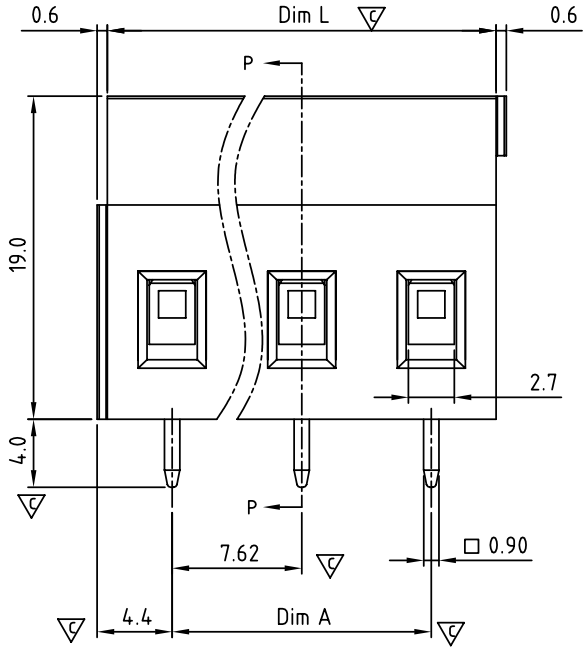
Poles	Tolerance
4p-8p	±0.20
9p-12p	±0.30
13p-16p	±0.40

Material:

- Item 1 Terminal housing:Thermoplastic (UL 94V-0)
- Item 2 Clamp: Brass Ni plated
- Item 3 Wire guard solder pin:Brass Tin plated
- Item 4 Terminal screw: Steel Zinc plating"-slot type

△ Electrical cULus / VDE

- Voltage rating : 300VAC / 750V
- Current rating : 20A / 24A
- Wire range : 0.2-2.5mm²
- Solid wire(AWG) : 12-30
- Stranded wire(AWG) : 12-30
- Torque : 3.5 Lb-In / 0.5 N.m
- Screw: M3
- Wire strip length: 6-7mm
- Withstanding Voltage: 1.6KV / 3KV
- Operating temperature: -40°C to +115°C
- Soldering temperature: 250°C±10°C/5 Sec
- Safety Approval:
- Critical dimension:

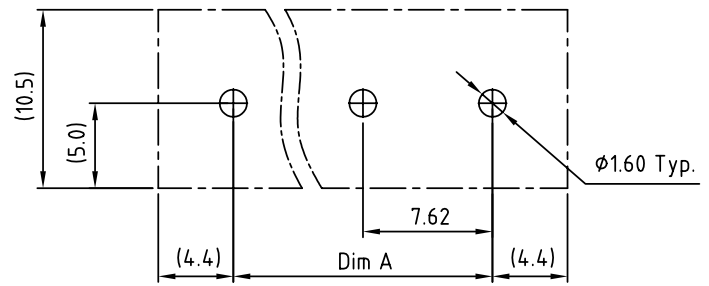


SECTION P-P

VJ xx 61 x 5 xxxxx G

No. of poles	0 Black (RAL9005)	0000:"@"Logo (Standard)
04 4 CONTACTS	2 Red (RAL3001/D)	000A:"ANYTEK"Logo
05 5 CONTACTS	3 Orange(RAL2011/P)	Any special item by customer request,
...	4 Yellow(RAL1018/A)	please contact sales department.
16 16 CONTACTS	5 Green(RAL6018/T)	
	6 Blue (RAL5015/A)	
	8 Grey(RAL7035/D)	

RoHS
Pb<40,000ppm



RECOMMENDED PCB LAYOUT

ANYTEK

CUSTOMER COPY

ALL RIGHTS RESERVED. REPRODUCTION OR ISSUE TO THIRD PARTIES IN ANY FORM WHATSOEVER IS NOT PERMITTED WITHOUT WRITTEN AUTHORITY FROM THE PROPRIETOR. PROPERTY OF ANYTEK TECHNOLOGY CO., LTD

TITLE		VJ-7.62 Series 4P-16P Horizontal Solid block (180D wire inlet)-----Without cover			
PART NO.		VJxx61x5xxxxG		DWG NO. 8VJ0312	
APPROVED	CHECKED	DESIGNED	DRAWN	CUST NO.	
	Shi Jun 2011.08.11	Runner 2011.08.11	Aaron 2009.07.21		
				Tolerance	
				X. ±0.50	
				X.X ±0.30	
				X.XX ±0.10	
				X° ±1°	
				UNIT: mm	
				SCALE: NONE	
				SHEET: 01/01	
				REV: C2	