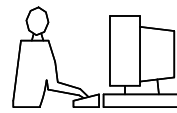
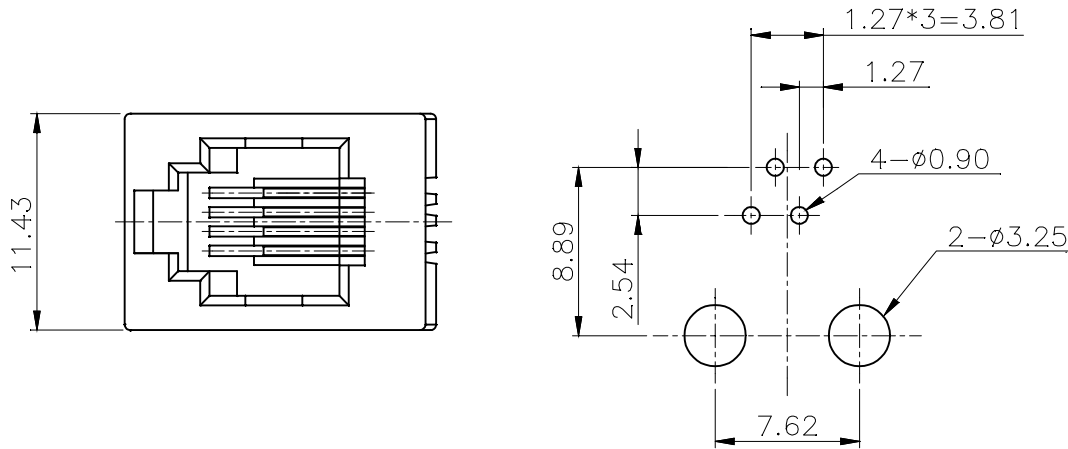


THIS IS A C.A.D. GENERATED DRAWING  
DO NOT MAKE MANUAL REVISIONS TO MASTER.



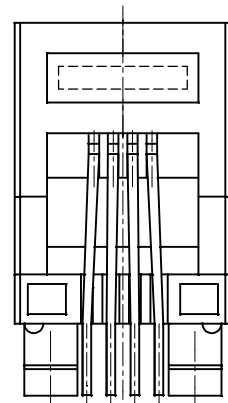
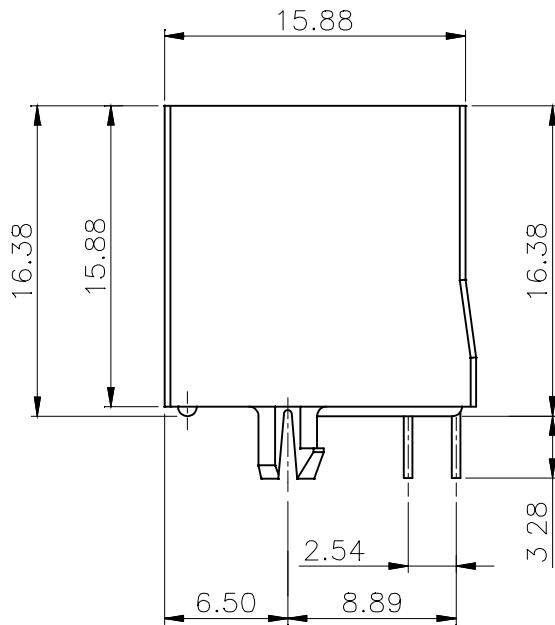
\* UNLESS OTHERWISE SPECIFIED TOLERANCES  
ON DECIMAL IS: ANGLE  $\pm 3^\circ$   
UNIT: MM X  $\pm 0.50$   
X.X  $\pm 0.38$   
X.XX  $\pm 0.25$   
X.XXX  $\pm 0.10$



Ordering information:

Type	P/N-BULK	Product Code
4P4C-V-Unshielded	2101-0110-11	MHRJJ44NFV

PCB LAYOUT/TOP VIEW



**MATERIALS:**

1. PLASTIC HOUSING: ENGINEERING THERMOPLASTIC  
FLAMMABILITY RATING UL 94V-0.
2. CONTACTS: 0.46MM DIAMETER PHOSPHOR BRONZE.
3. PLATING: GOLD PLATING OVER NICKEL.

THESE DRAWINGS AND SPECIFICATIONS ARE THE PROPERTY OF MH CONNECTORS LTD. AND SHALL NOT BE REPRODUCED, COPIED OR USED AS THE BASIS FOR THE MANUFACTURE OR SALE OF APPARATUS WITHOUT WRITTEN PERMISSION.

DRAWN HALEY		DATE 11-18-13
APPROVED		DATE
SCALE	SHEET OF 1 OF 1	REV: 3.0
DRAWING No MHRJJ44NFV		



THIS SERIES FULLY CONFORMS TO THE  
EUROPEAN UNION DIRECTIVES 2002/95/EC  
AND 2002/96/EC FOR RoHS COMPLIANCY.



**MH CONNECTORS LTD.**