

# CTRJPPS10GF Series

## CHARACTERISTICS

**Description:** 10G Base-T integrated RJ45 jack, single port, PoE & PoE+, Tab Up

**Applications:** Telecom equipment, HUB, wireless router station, VoIP device, video camera

**Operating Temperature:** 0°C to 70°C

**Features:**

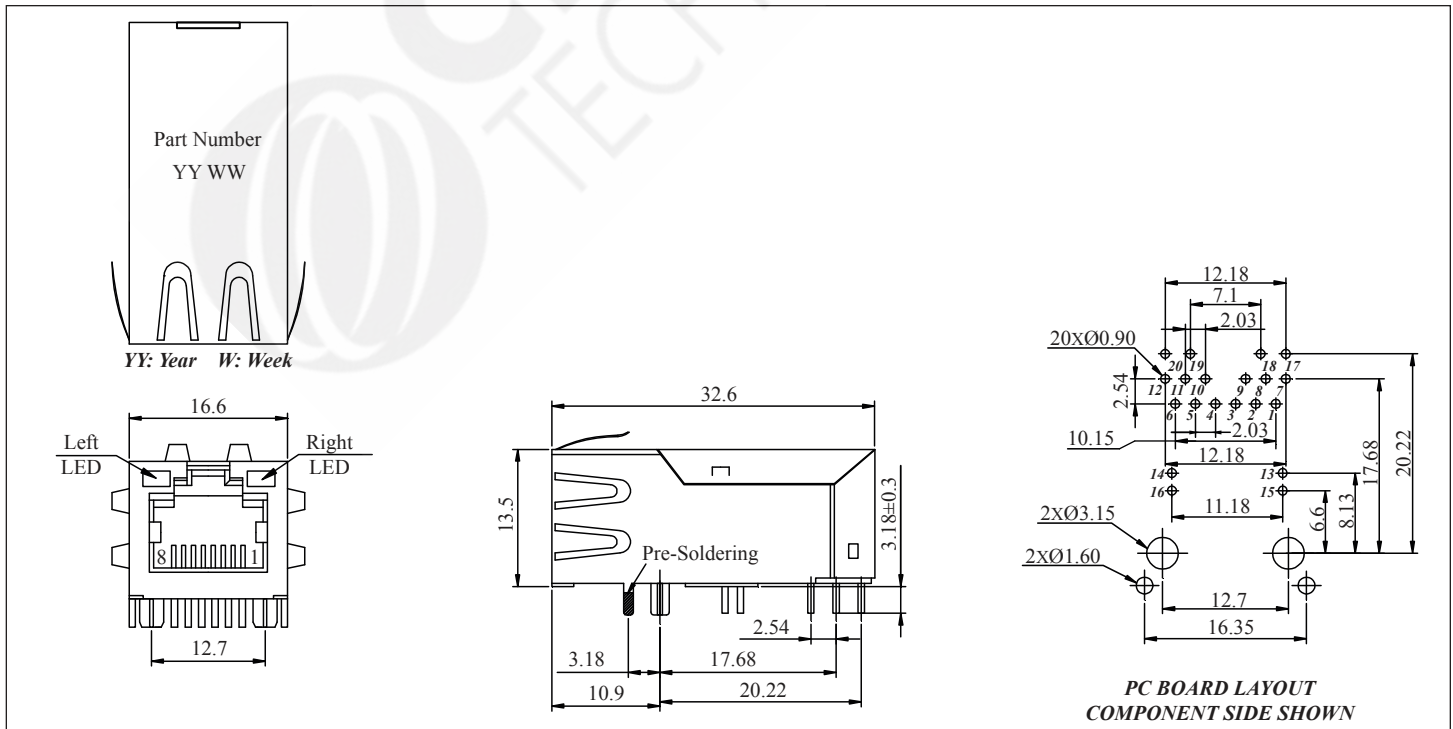
- 1x1 Tap-Up, 1" long RJ45 with internal magnetics
- 16pin signal pin versions available
- Available with LEDs
- Suitable for CAT 5 & 6 fast ethernet cable or better UTP
- Internal magnetics are 100% electrically tested for Hi-Pot and functionality
- Meet IEEE 802.3af standards with 350mA
- Meet IEEE 802.3at standards with 600mA
- Custom solutions available



## SPECIFICATIONS

PART NUMBER	Turns Ratio (±3%)	LEDs	Insertion Loss (dB Max.)	Return Loss (dB Min.)				Crosstalk (dB Typ.)		CDMR (dB Typ.)		POE Current	Hipot (Vrms) @60Hz
		L/R		1-400 MHz	1-100 MHz	100-200 MHz	200-400 MHz	400-500 MHz	1-100 MHz	100-500 MHz	1-250 MHz		
CTRJPPS10GF-DD350	1CT:1CT	G/Y & G/Y	-2.0	-13	-10	-7	-6	-40	-30	-30	-22	350mA	1500
CTRJPPS10GF-DD600	1CT:1CT	G/Y & G/Y	-2.0	-13	-10	-7	-6	-40	-30	-30	-22	600mA	1500

## PHYSICAL DIMENSIONS & PAD LAYOUT



Unit: mm Tolerances: Unless otherwise specified, all tolerances are ±0.25

## CTRJPPS10GF

### SCHEMATICS

