



Main

Product range	9050JCK
Product type	Timer
Timing mode	Off-delay Trigger on-delay One shot falling edge One shot On-delay and off-delay Watchdog On-delay Repeat cycle Interval
Timing range	0.1...99.9 min 0.05...9.99 s 1...999 s 0.1...99.9 h 0.1...99.9 s 1...999 h
Supply voltage	240 V AC

Complementary

Power consumption	3.2 VA
Current rating	10 A
Switch function	DPDT
Contact composition	2 NO + 2 NC
Contact material	Silver nickel
Maximum switching voltage	240 V AC
Mounting type	Socket
Number of pins	11
Shape of pins	Tubular
For use with	8501NR61 8501NR62

Environment

Certifications	UL Listed UL Recognized CE
Ambient temperature range - operational	-18...122 °F (-28...50 °C)
Height	2.36 in (60 mm)
Width	1.73 in (44 mm)
Depth	3.58 in (91 mm)

Ordering and shipping details

Category	21652 - 9050 JCK60, 70 PROGRAMMABLE TIMERS
Discount Schedule	CP2
GTIN	785901132707
Nbr. of units in pkg.	1
Package weight(Lbs)	5.28 oz (149.685 g)
Returnability	Yes
Country of origin	US

Packing Units

Unit Type of Package 1	PCE
Package 1 Height	2.60 in (6.604 cm)
Package 1 width	1.90 in (4.826 cm)
Package 1 Length	4.30 in (10.922 cm)
Unit Type of Package 2	CAR
Number of Units in Package 2	10
Package 2 Weight	3.00 lb(US) (1.361 kg)
Package 2 Height	4.50 in (11.43 cm)
Package 2 width	10.00 in (25.4 cm)
Package 2 Length	11.00 in (27.94 cm)

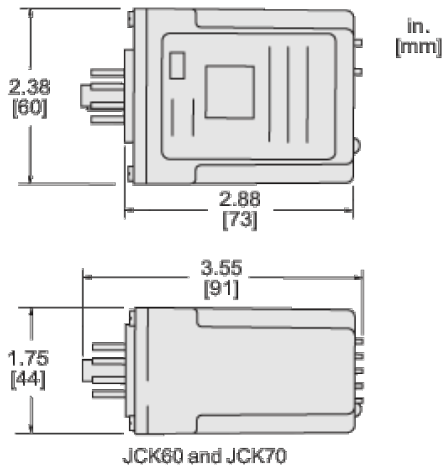
Offer Sustainability

Sustainable offer status	Green Premium product
REACH Regulation	REACH Declaration
REACH free of SVHC	Yes
EU RoHS Directive	Pro-active compliance (Product out of EU RoHS legal scope) EU RoHS Declaration
Toxic heavy metal free	Yes
Mercury free	Yes
RoHS exemption information	Yes
China RoHS Regulation	China RoHS Declaration
Environmental Disclosure	Product Environmental Profile
Circularity Profile	End Of Life Information

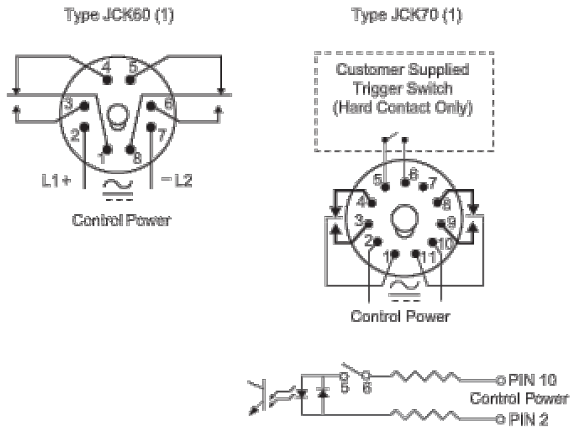
Contractual warranty

Warranty	18 months
----------	-----------

Approximate Dimensions



Connections and Wiring Diagrams



(1) Do not apply DC voltage to the 240 Vac timers (voltage code V24).