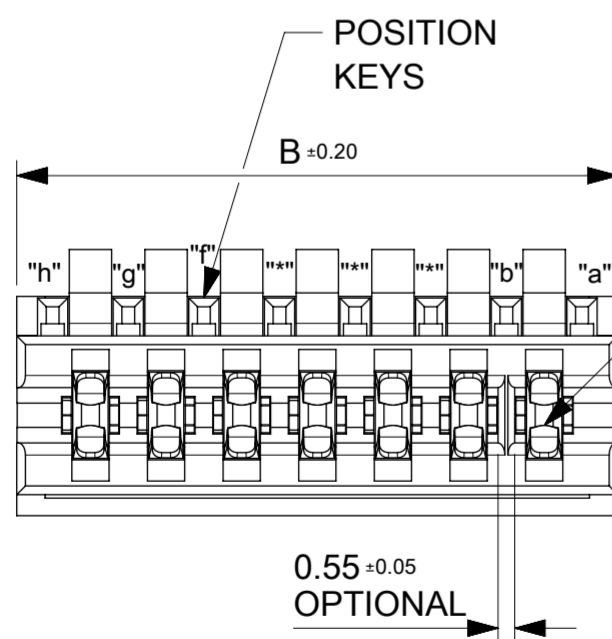
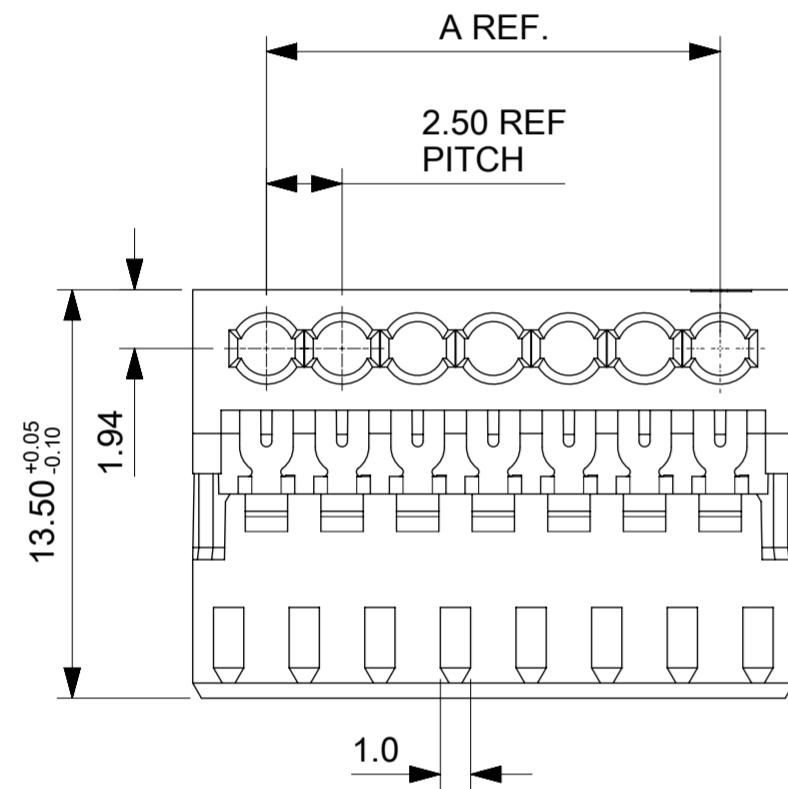
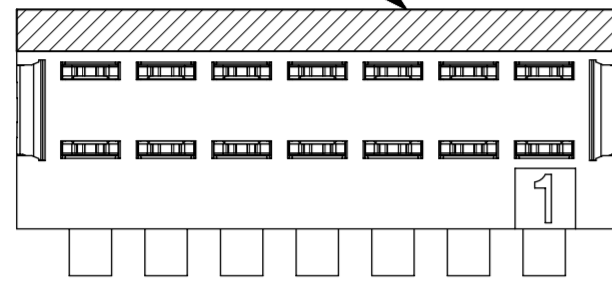
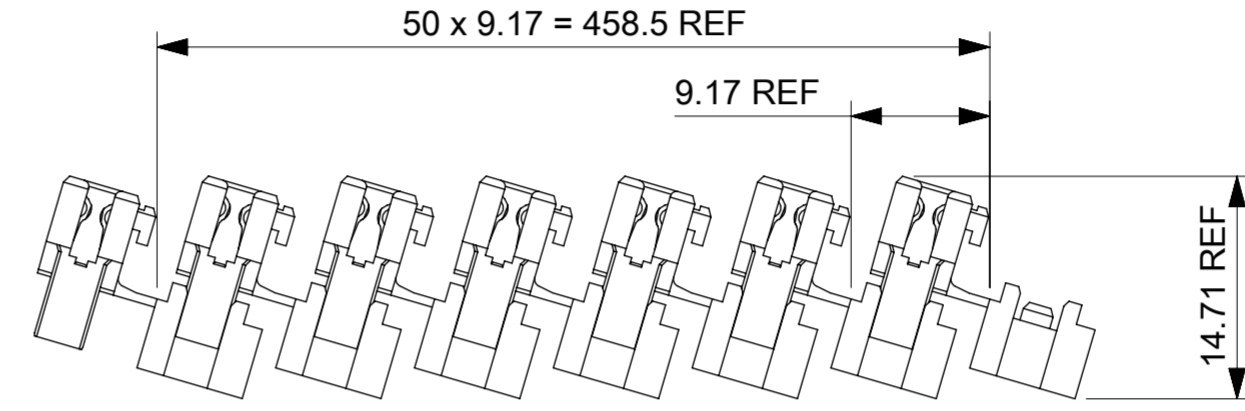
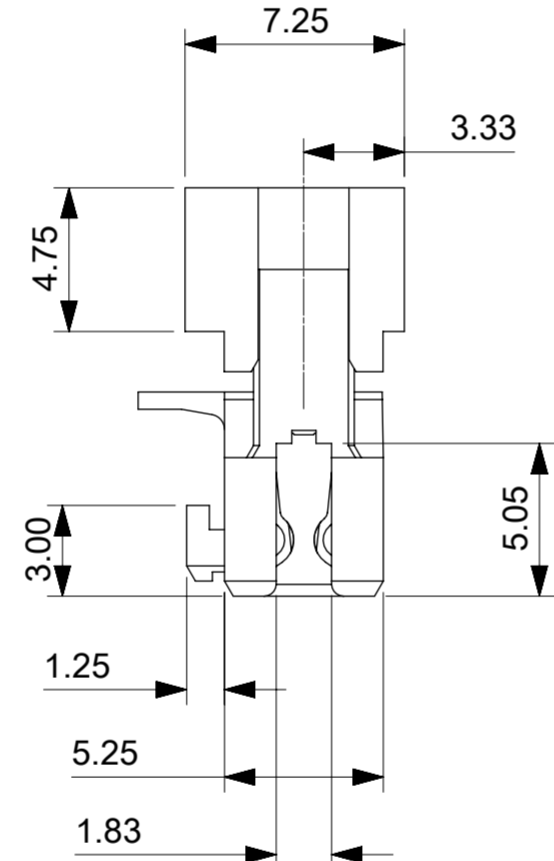


POSITION OF COLOUR STRIPE (see note 3)



CIRCUIT 1



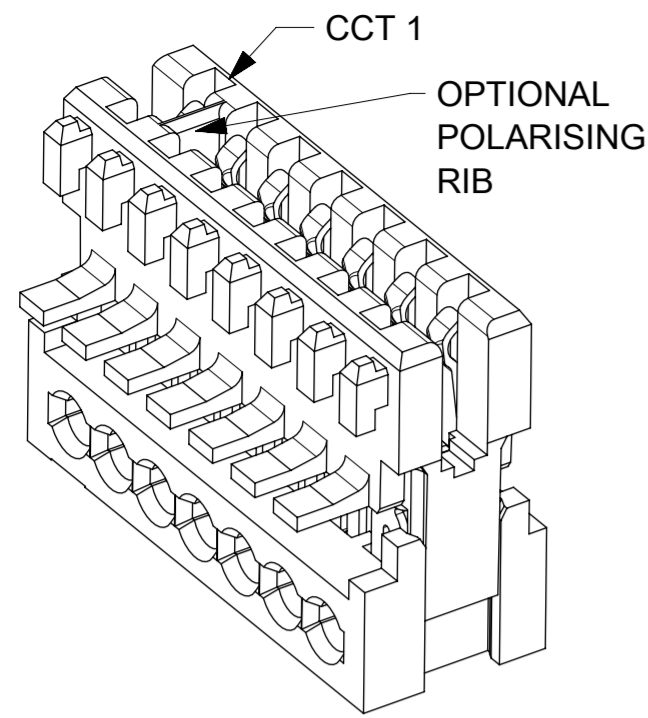
SHIPPING ARRANGEMENT

| CCT | A | B |
|-----|------|--------|
| 2 | 2.5 | 7.375 |
| 3 | 5 | 9.875 |
| 4 | 7.5 | 12.375 |
| 5 | 10 | 14.875 |
| 6 | 12.5 | 17.375 |
| 7 | 15 | 19.875 |
| 8 | 17.5 | 22.375 |
| 9 | 20 | 24.875 |
| 10 | 22.5 | 27.375 |
| 11 | 25 | 29.875 |
| 12 | 27.5 | 32.375 |
| 13 | 30 | 34.875 |
| 14 | 32.5 | 37.375 |
| 15 | 35 | 39.875 |
| 16 | 37.5 | 42.375 |
| 17 | 40 | 44.875 |
| 18 | 42.5 | 47.375 |
| 19 | 45 | 49.875 |
| 20 | 47.5 | 52.375 |

NOTES:

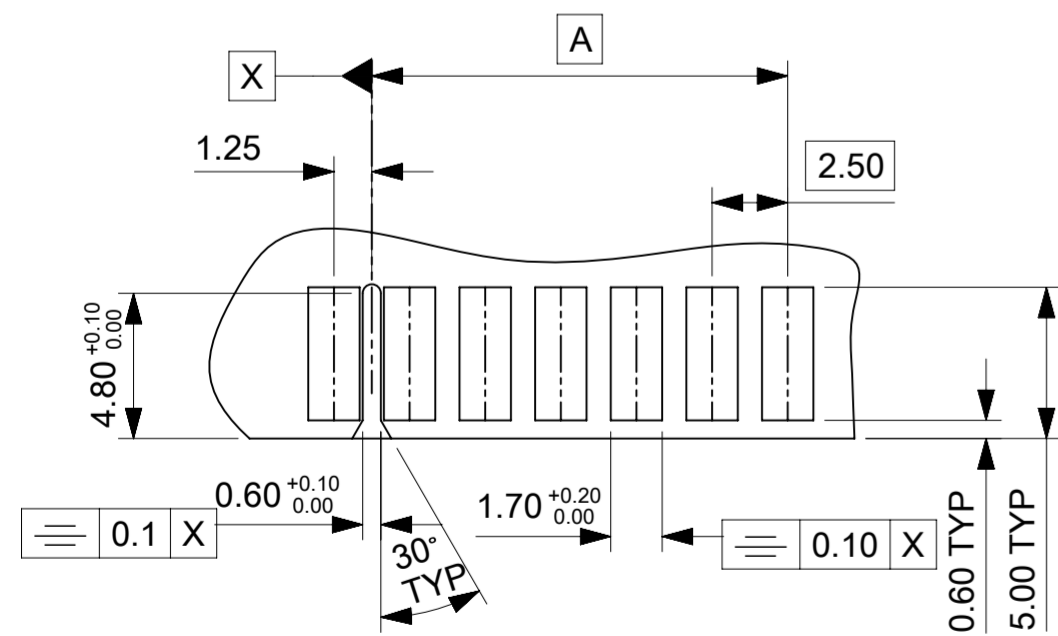
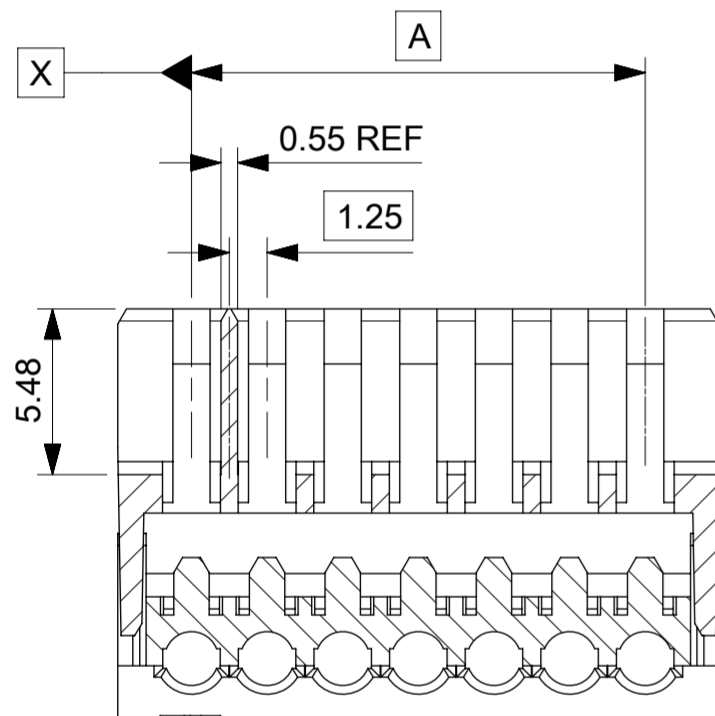
- REFER TO PRODUCT SPECIFICATION: PS-99020-0040.
- MATERIAL: HOUSING - POLYAMIDE 6 (PA6)
UL94-V2. COLOUR NATURAL.
TERMINAL: PHOSPHOR BRONZE 0.30 REF. THICK - PLATING
HOT TIN DIP.
- COLOUR STRIPE IS OPTIONAL. AVAILABLE IN THE FOLLOWING COLOURS: RED, GREEN, BLUE, ORANGE, BROWN & YELLOW. (BLACK SIGNIFIES CUSTOMER SPECIFIC CONFIGURATION).
- REFER TO PACKAGING SPEC (PK-90871-001)
- REFER TO APPLICATION SPEC (990330008 AS)

| | | | | | | | | | |
|---|--------|----------------------------|--|---------|--|----------------|--------------|--|--|
| THIS DRAWING CONTAINS INFORMATION THAT IS PROPRIETARY TO MOLEX ELECTRONIC TECHNOLOGIES, LLC AND SHOULD NOT BE USED WITHOUT WRITTEN PERMISSION | | | | | | | | | |
| DIMENSION UNITS | SCALE | CURRENT REV DESC: | | | molex | | | | |
| mm | 4:1 | | | | | | | | |
| GENERAL TOLERANCES (UNLESS SPECIFIED) | | | | | APPLI-MATE 2.5 FEMALE G.W.T. 750 VERSION | | | | |
| ANGULAR TOL | ± 0.5° | EC NO: 675456 | | | PRODUCT CUSTOMER DRAWING | | | | |
| 4 PLACES | ± | DRWN: MBN02 2021/08/24 | | | DOCUMENT NUMBER | | | | |
| 3 PLACES | ± 0.05 | CHK'D: MBN02 2021/08/26 | | | 930500001 | | | | |
| 2 PLACES | ± 0.1 | APPR: SDEVITT 2021/09/28 | | | DOC TYPE DOC PART REVISION | | | | |
| 1 PLACE | ± 0.2 | INITIAL REVISION: | | | PSD 000 V1 | | | | |
| 0 PLACES | ± | DRWN: CFISHER01 2015/11/24 | | | MATERIAL NUMBER | | | | |
| DRAFT WHERE APPLICABLE MUST REMAIN WITHIN DIMENSIONS | | THIRD ANGLE PROJECTION | | DRAWING | SERIES | CUSTOMER | SHEET NUMBER | | |
| | | | | A2-SIZE | 93050 | GENERAL MARKET | 1 OF 17 | | |

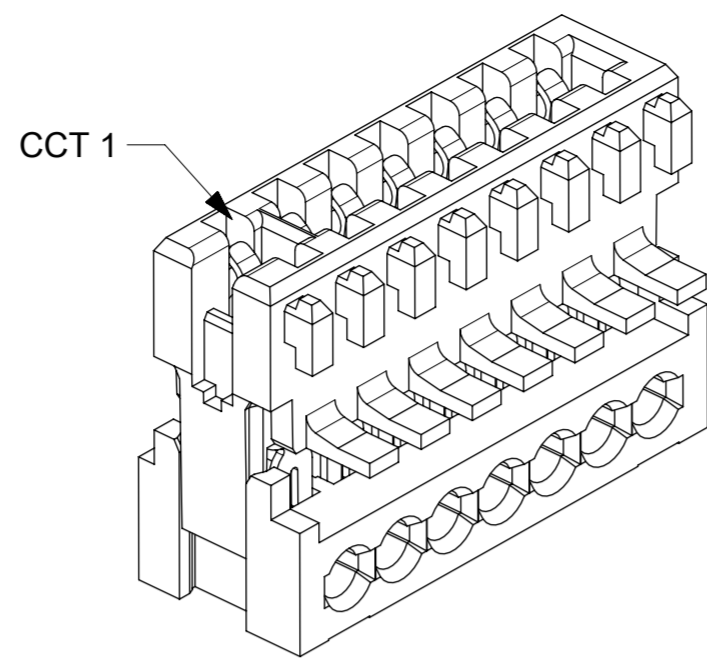


OPEN END WALL OPTION

| FIRST END WALL | LAST END WALL |
|----------------|---------------|
| OPEN | OPEN |

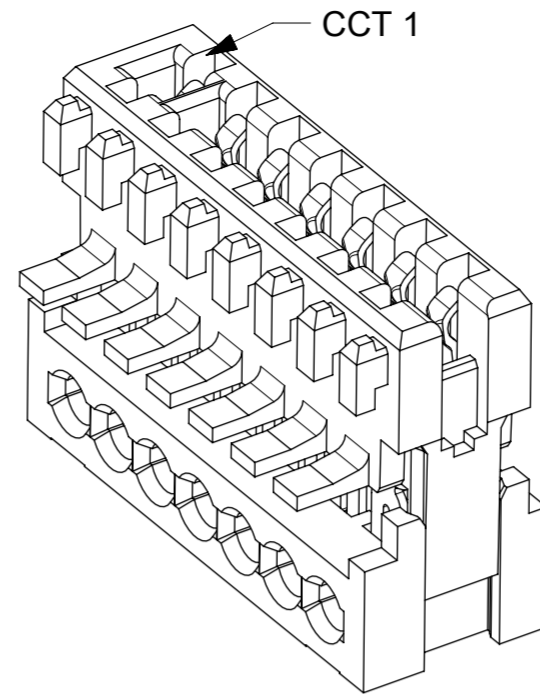
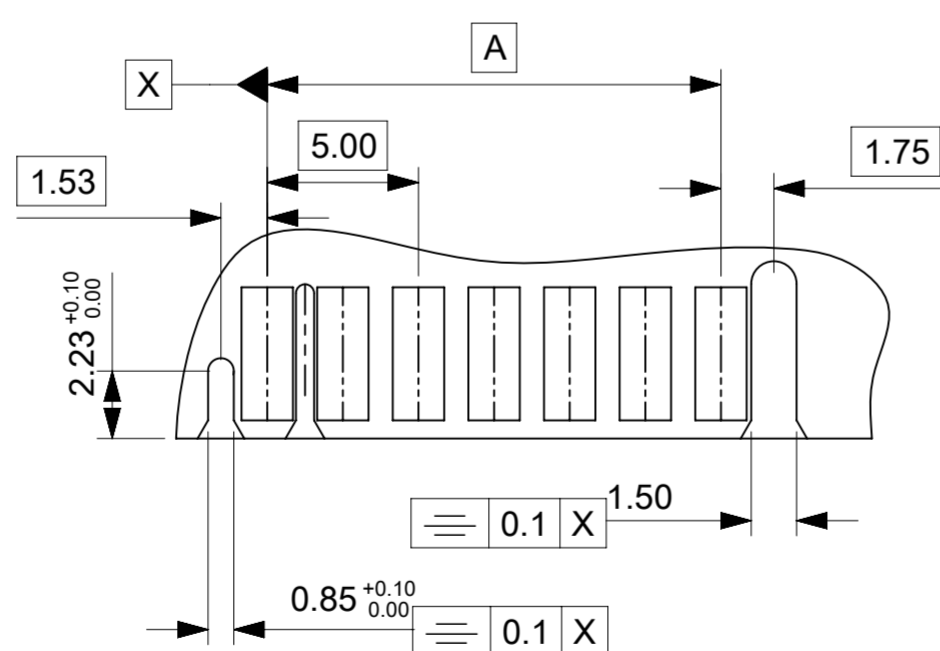
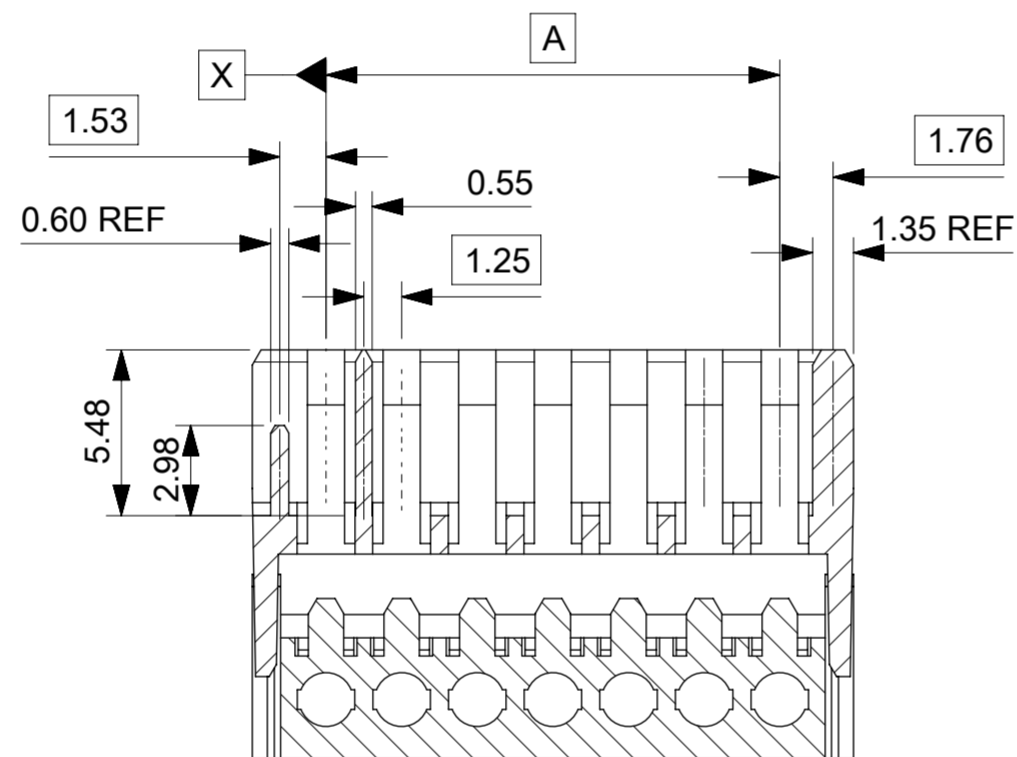


- PCB LAYOUT CCTCONNECTOR
(WITH OPTIONAL POSITIONAL RIB SLOT BETWEEN CCT 1 & 2)
- RECOMMENDED PCB THICKNESS 1.5 ± 0.14



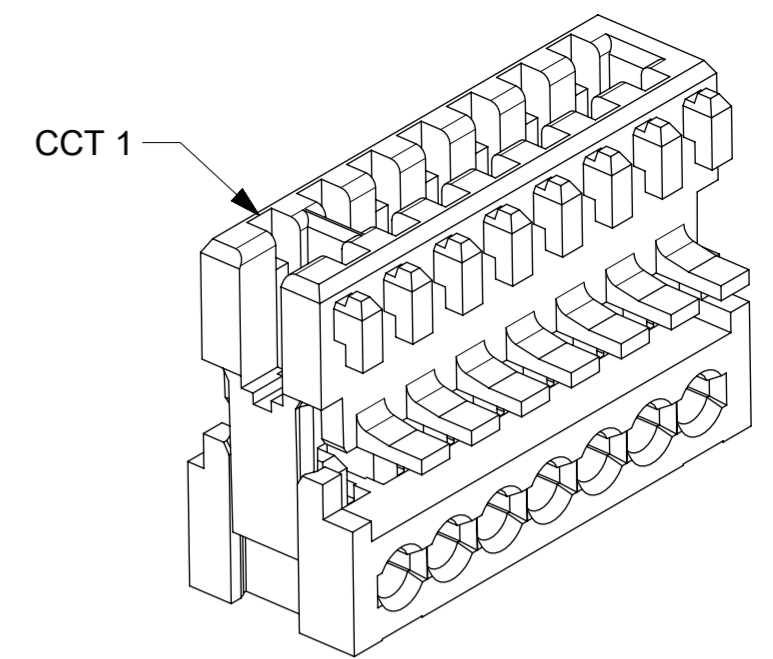
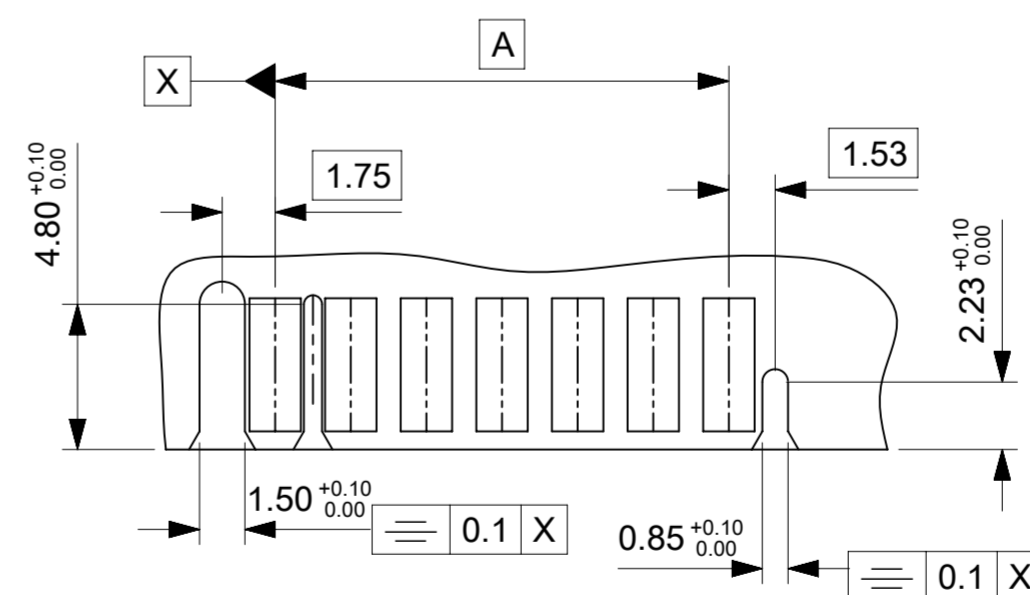
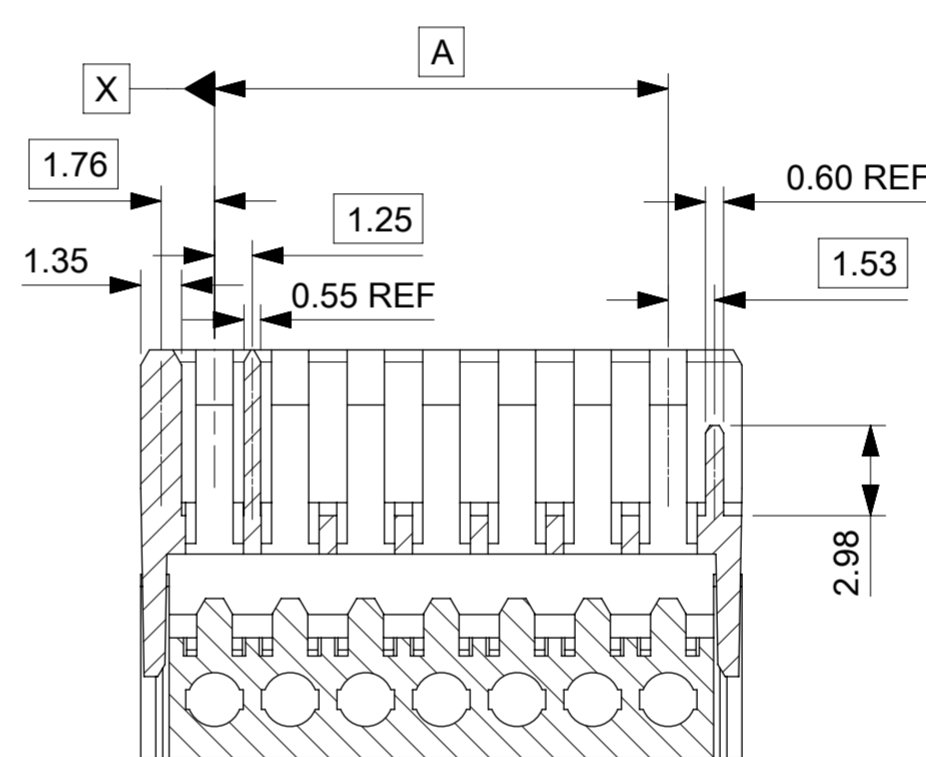
END WALL OPTION A

| FIRST END WALL | LAST END WALL |
|----------------|---------------|
| HALF | CLOSED |



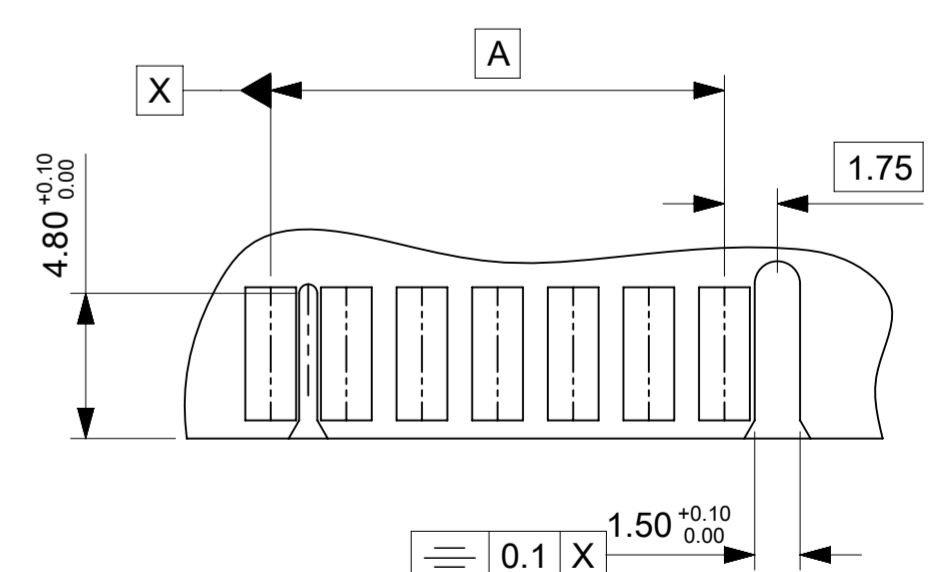
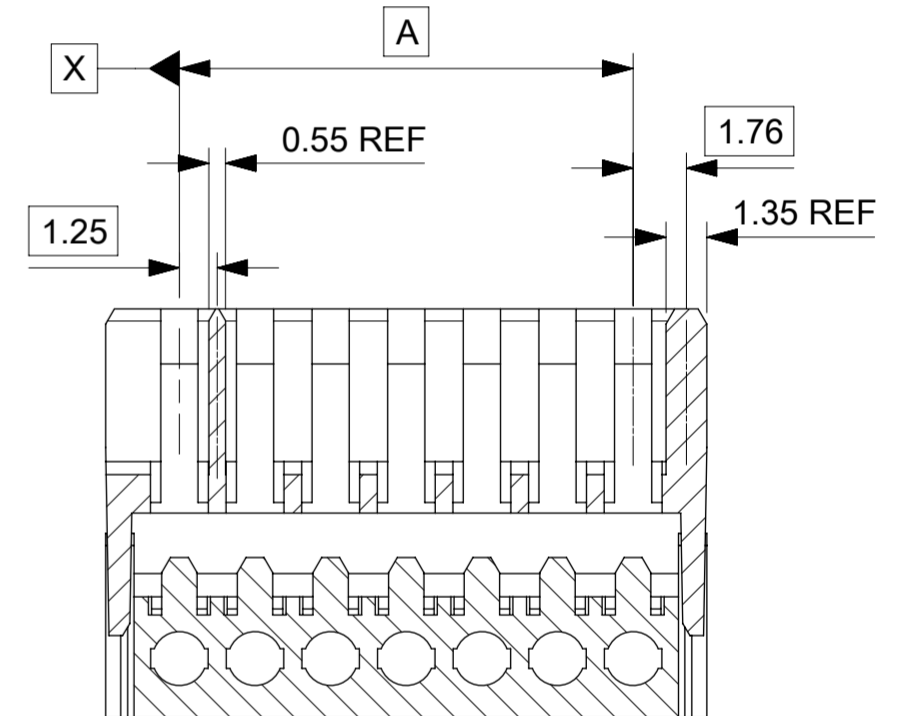
END WALL OPTION B

| FIRST END WALL | LAST END WALL |
|----------------|---------------|
| CLOSED | HALF |



END WALL OPTION C

| FIRST END WALL | LAST END WALL |
|----------------|---------------|
| OPEN | CLOSED |



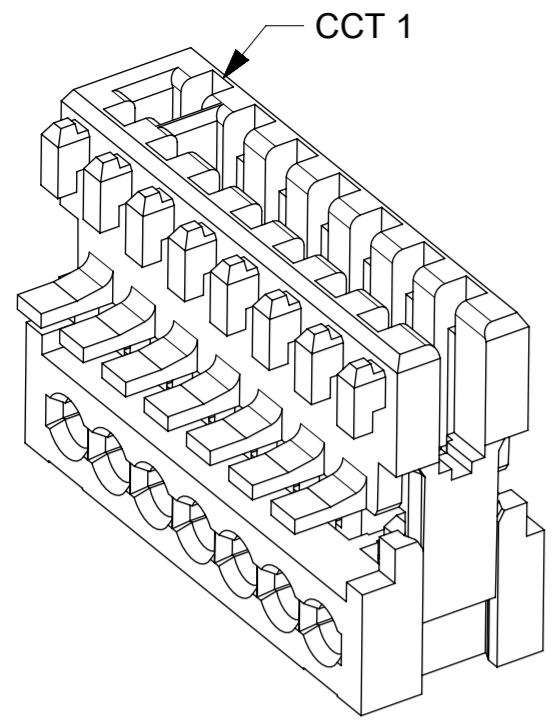
THIS DRAWING CONTAINS INFORMATION THAT IS PROPRIETARY TO MOLEX ELECTRONIC TECHNOLOGIES, LLC AND SHOULD NOT BE USED WITHOUT WRITTEN PERMISSION

| | | | |
|--|--------|------------------------|----------------|
| DIMENSION UNITS | SCALE | CURRENT REV DESC: | |
| mm | 4:1 | | |
| GENERAL TOLERANCES (UNLESS SPECIFIED) | | | |
| ANGULAR TOL | ± 0.5° | EC NO: 675456 | |
| 4 PLACES | ± | DRWN: MBN02 | 2021/08/24 |
| 3 PLACES | ± 0.05 | CHK'D: MBN02 | 2021/08/26 |
| 2 PLACES | ± 0.1 | APPR: SDEVITT | 2021/09/28 |
| 1 PLACE | ± 0.2 | INITIAL REVISION: | |
| 0 PLACES | ± | DRWN: CFISHER01 | 2015/11/24 |
| | | APPR: MSHANAHAN | 2016/01/20 |
| DRAFT WHERE APPLICABLE MUST REMAIN WITHIN DIMENSIONS | | THIRD ANGLE PROJECTION | DRAWING |
| | | | A2-SIZE |
| | | SERIES | 93050 |
| | | MATERIAL NUMBER | SEE TABLE |
| | | CUSTOMER | GENERAL MARKET |
| | | DOCUMENT NUMBER | 930500001 |
| | | DOC TYPE | PSD |
| | | DOC PART | 000 |
| | | REVISION | V1 |
| | | SHEET NUMBER | 2 OF 17 |

molex

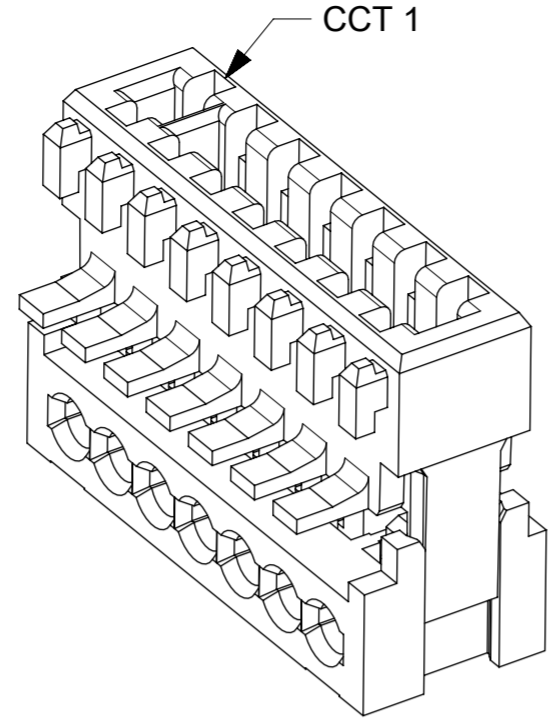
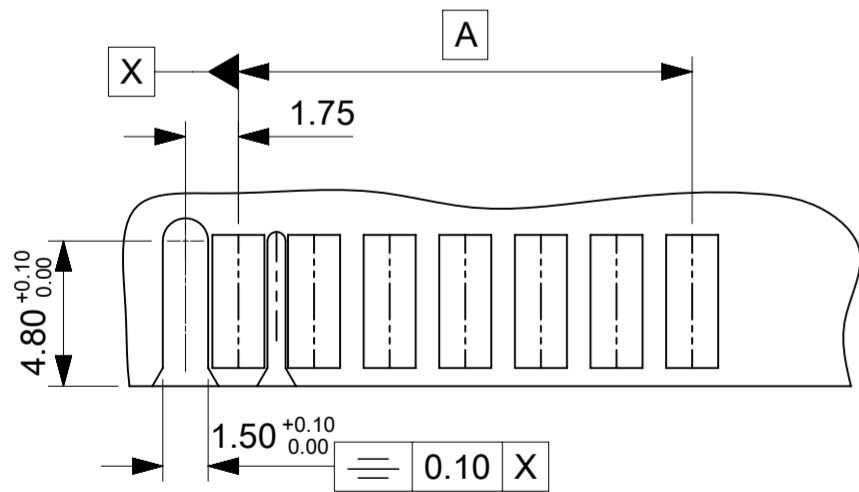
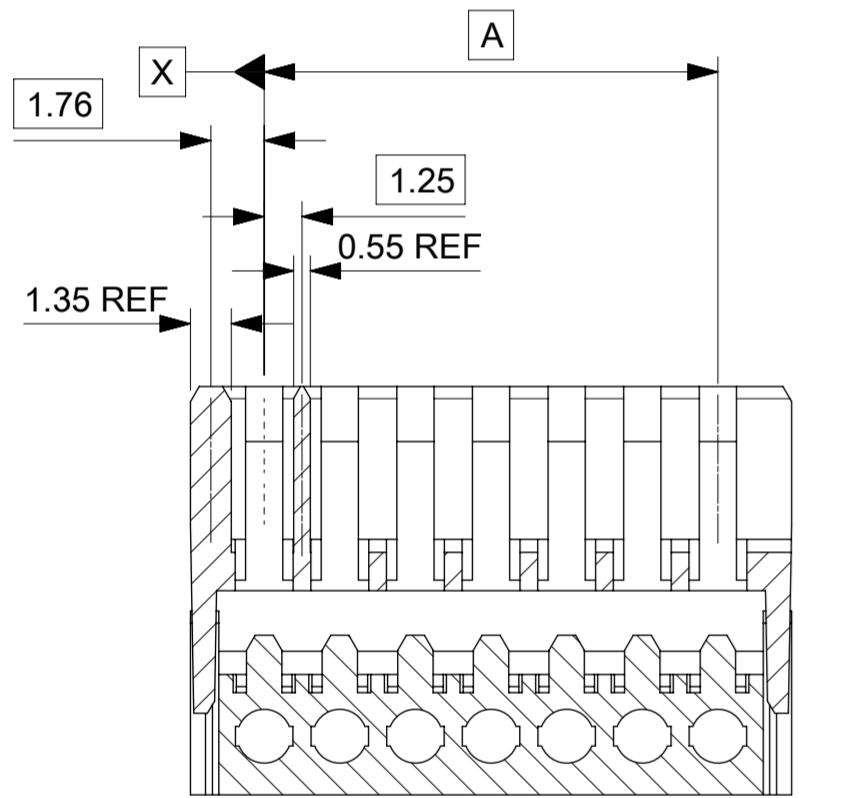
APPLI-MATE 2.5 FEMALE G.W.T. 750 VERSION

PRODUCT CUSTOMER DRAWING



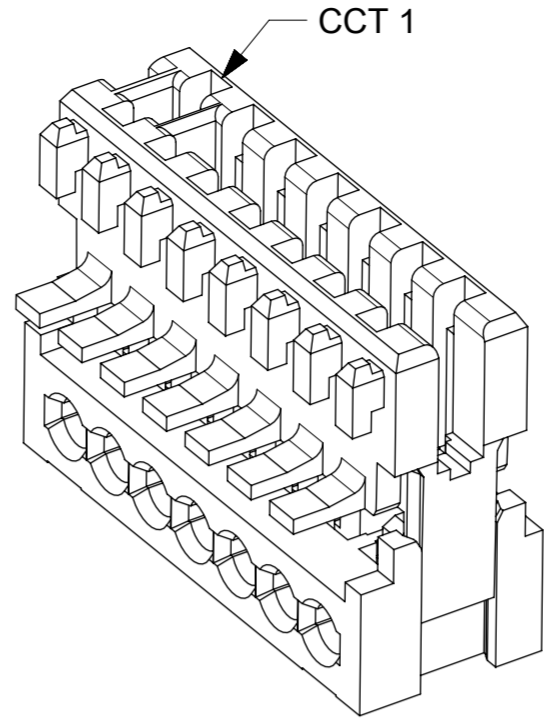
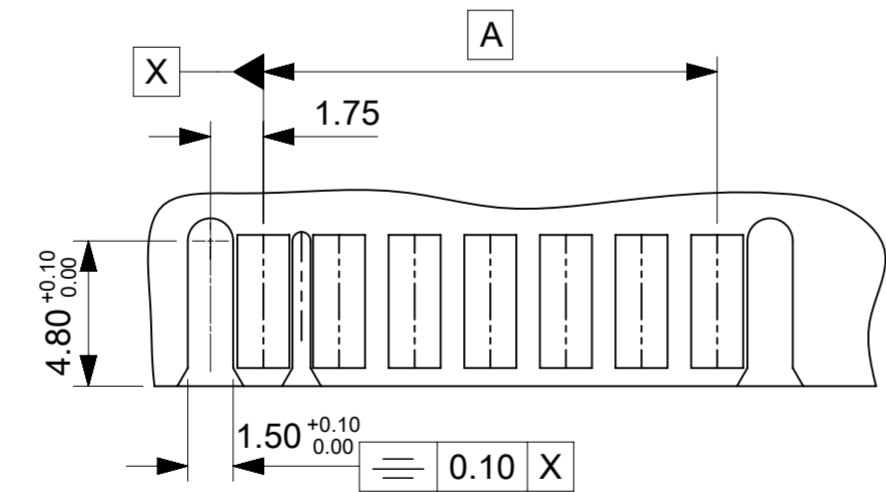
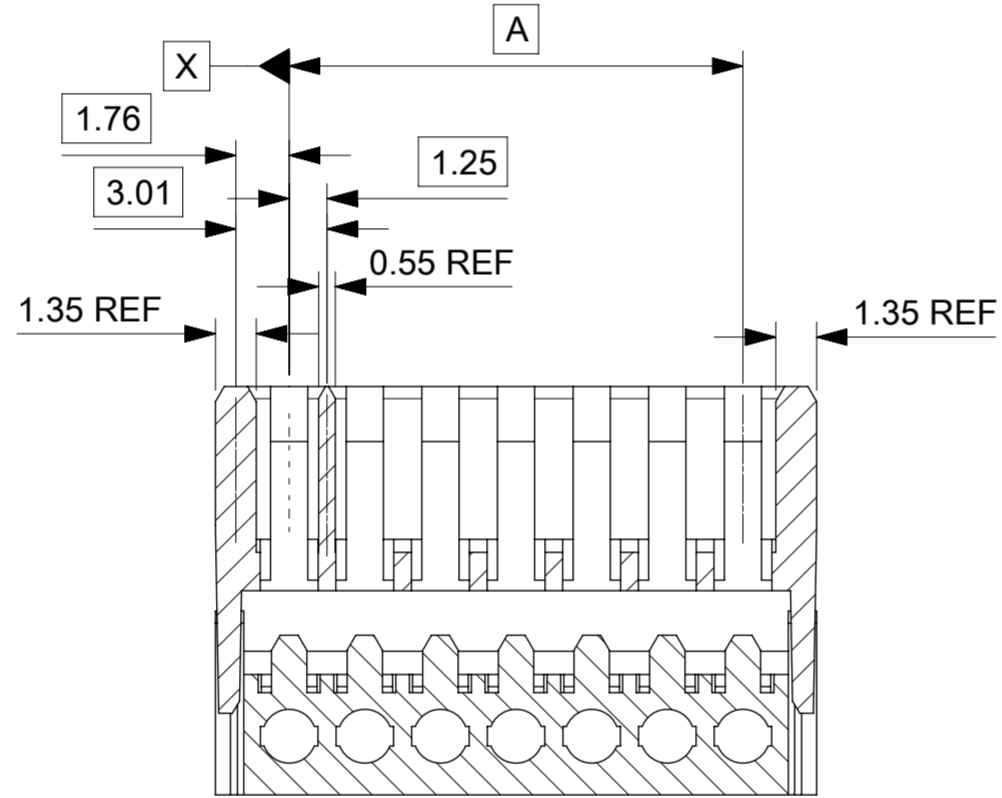
END WALL OPTION D

| FIRST END WALL | LAST END WALL |
|----------------|---------------|
| CLOSED | OPEN |



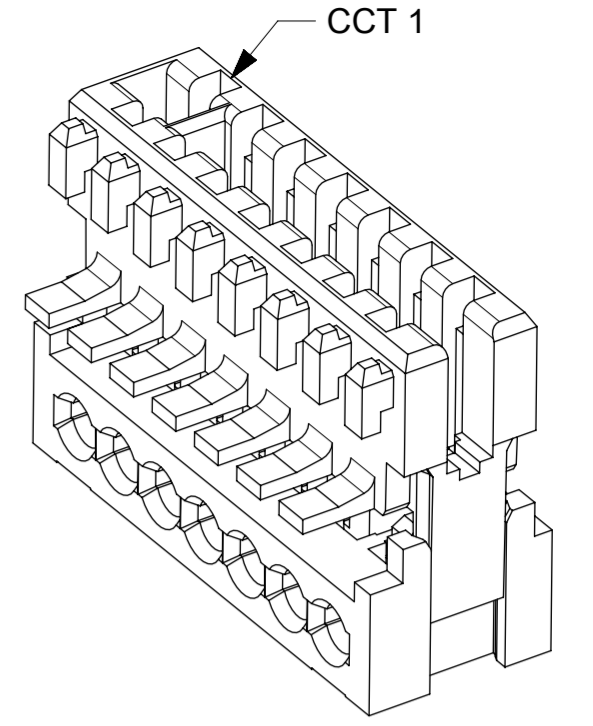
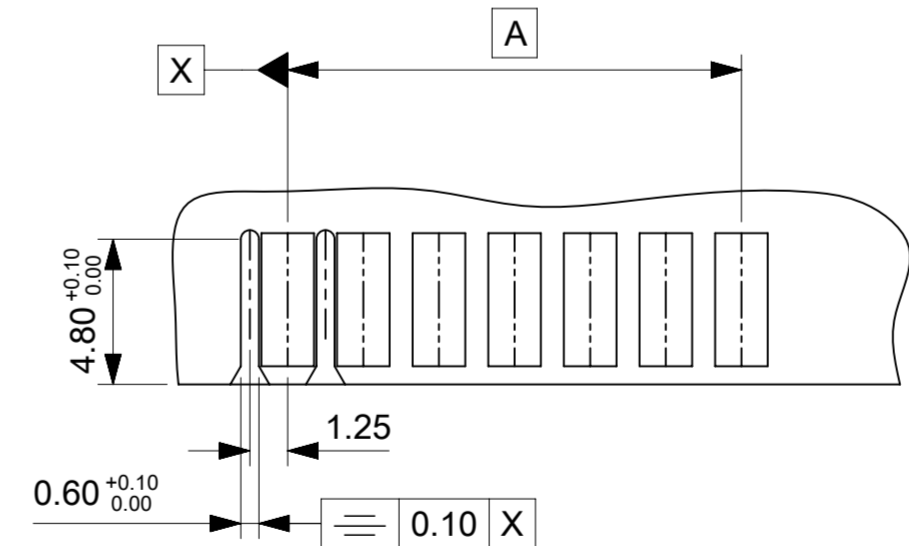
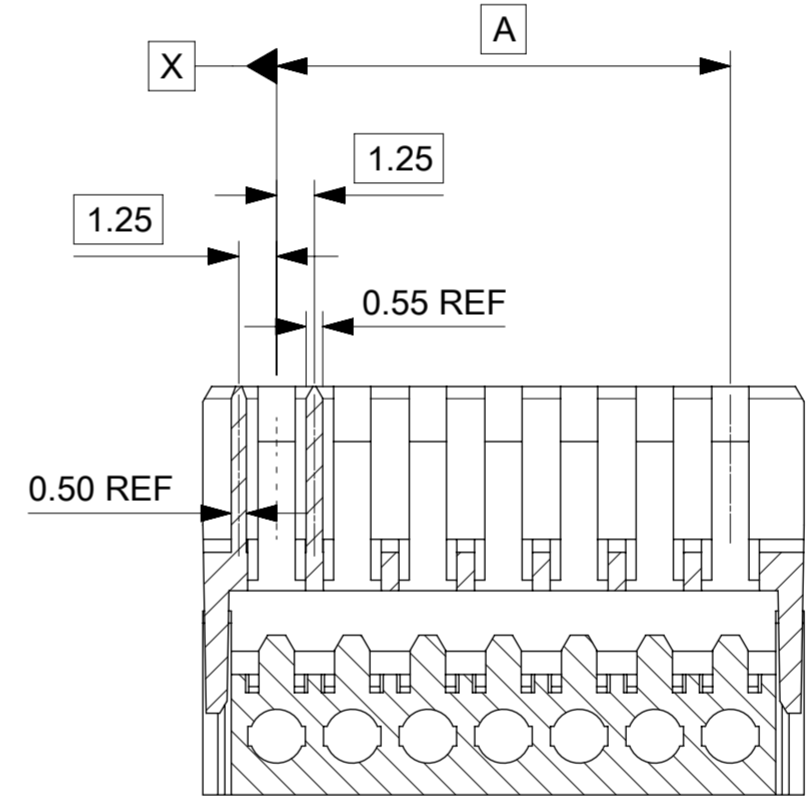
END WALL OPTION E

| FIRST END WALL | LAST END WALL |
|----------------|---------------|
| CLOSED | CLOSED |



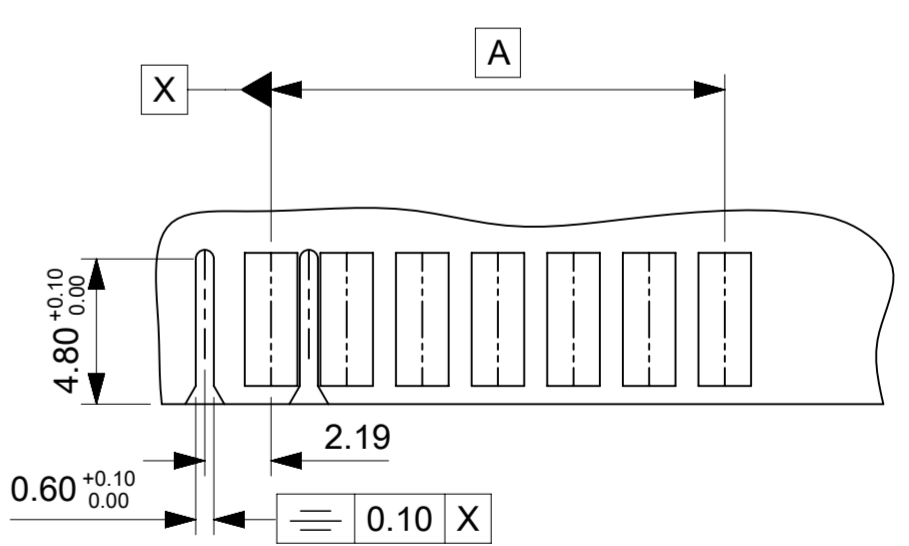
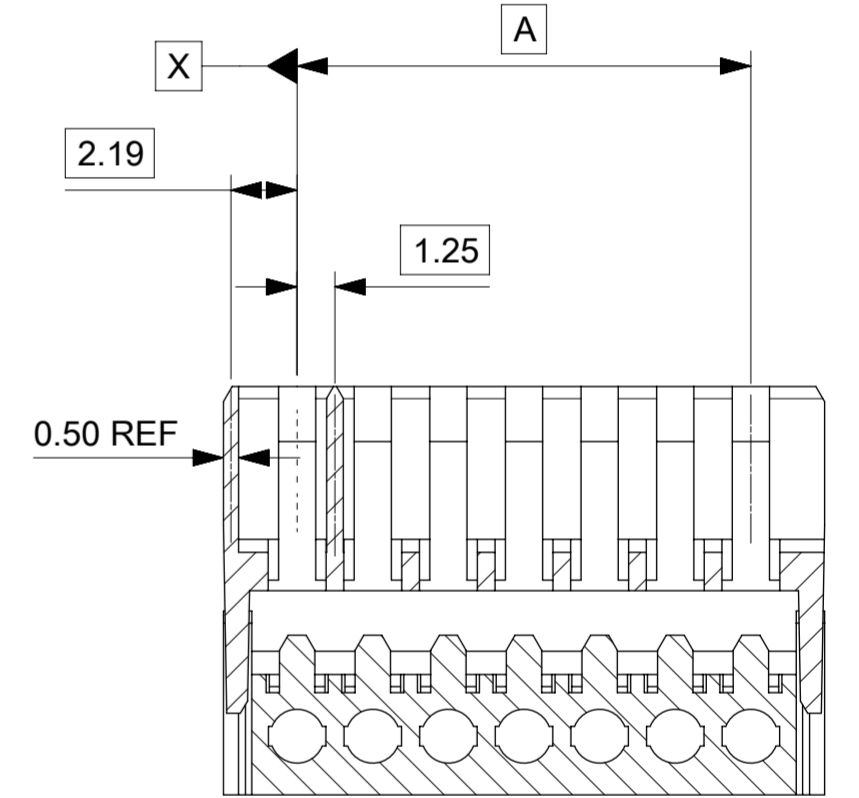
END WALL OPTION F

| FIRST END WALL | LAST END WALL |
|----------------|---------------|
| NARROW | OPEN |



END WALL OPTION G

| FIRST END WALL | LAST END WALL |
|----------------|---------------|
| NARROW FLUSH | OPEN |



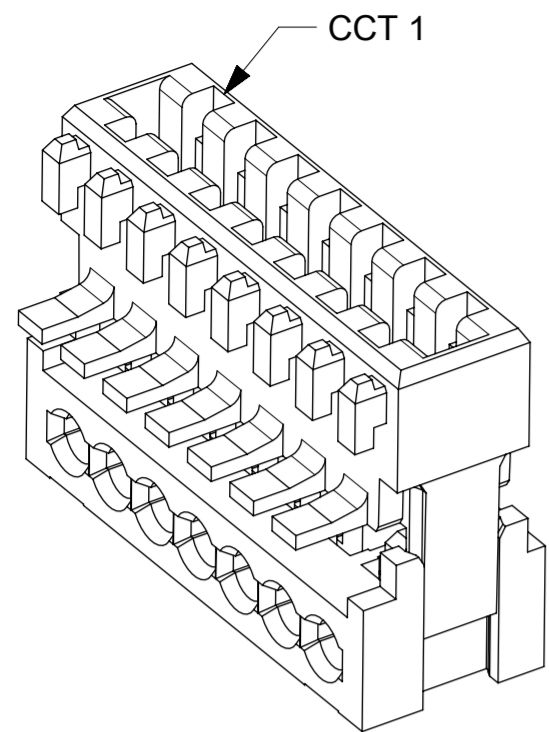
THIS DRAWING CONTAINS INFORMATION THAT IS PROPRIETARY TO MOLEX ELECTRONIC TECHNOLOGIES, LLC AND SHOULD NOT BE USED WITHOUT WRITTEN PERMISSION

| | | | |
|--|--------|------------------------|--------------|
| DIMENSION UNITS | SCALE | CURRENT REV DESC: | |
| mm | 4:1 | | |
| GENERAL TOLERANCES (UNLESS SPECIFIED) | | | |
| ANGULAR TOL | ± 0.5° | EC NO: 675456 | |
| 4 PLACES | ± | DRWN: MBN02 | 2021/08/24 |
| 3 PLACES | ± 0.05 | CHK'D: MBN02 | 2021/08/26 |
| 2 PLACES | ± 0.1 | APPR: SDEVITT | 2021/09/28 |
| 1 PLACE | ± 0.2 | INITIAL REVISION: | |
| 0 PLACES | ± | DRWN: CFISHER01 | 2015/11/24 |
| | | APPR: MSHANAHAN | 2016/01/20 |
| DRAFT WHERE APPLICABLE MUST REMAIN WITHIN DIMENSIONS | | THIRD ANGLE PROJECTION | DRAWING |
| | | | A2-SIZE |
| | | SERIES | 93050 |
| DOCUMENT NUMBER | | CUSTOMER | SHEET NUMBER |
| 930500001 | | GENERAL MARKET | 3 OF 17 |

molex

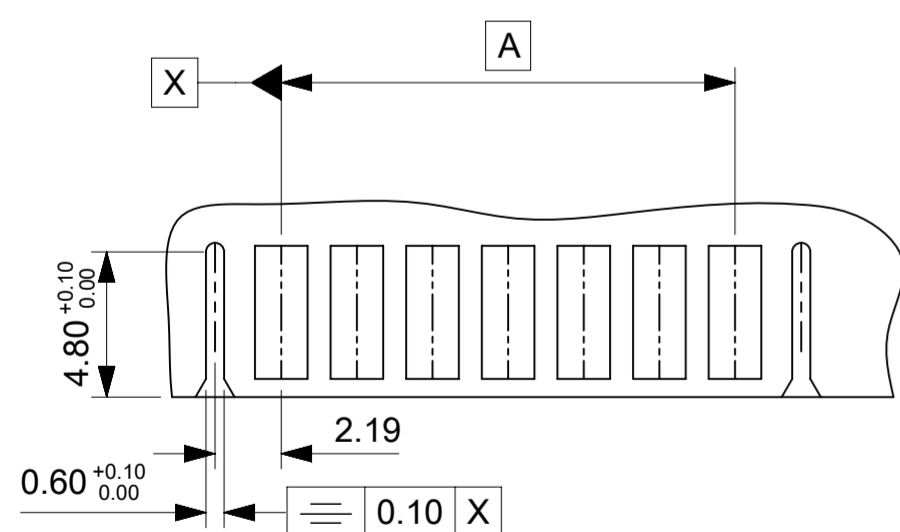
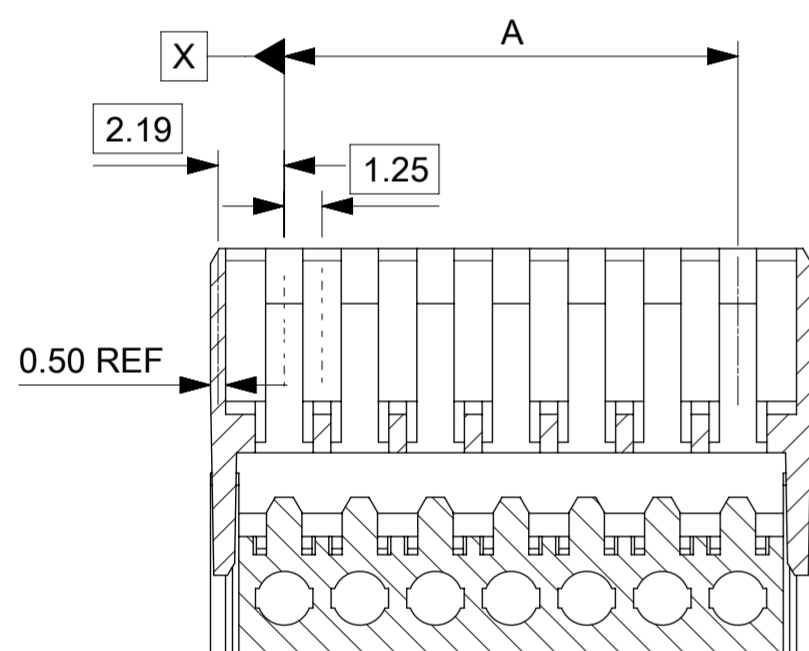
APPLI-MATE 2.5 FEMALE G.W.T. 750 VERSION

PRODUCT CUSTOMER DRAWING



END WALL OPTION H


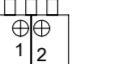
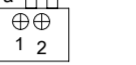
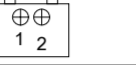
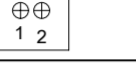

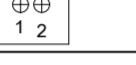
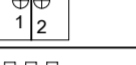
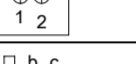
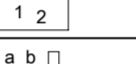
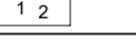
| | |
|----------------|---------------|
| FIRST END WALL | LAST END WALL |
| NARROW FLUSH | NARROW FLUSH |



THIS DRAWING CONTAINS INFORMATION THAT IS PROPRIETARY TO MOLEX ELECTRONIC TECHNOLOGIES, LLC AND SHOULD NOT BE USED WITHOUT WRITTEN PERMISSION


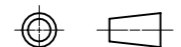
| | | | | | | | | |
|--|--------|------------------------|------------|--|--|----------------|----------|----------|
| DIMENSION UNITS | SCALE | CURRENT REV DESC: | | molex | | | | |
| mm | 4:1 | | | | | | | |
| GENERAL TOLERANCES (UNLESS SPECIFIED) | | | | APPLI-MATE 2.5 FEMALE G.W.T. 750 VERSION | | | | |
| ANGULAR TOL | ± 0.5° | | | PRODUCT CUSTOMER DRAWING | | | | |
| 4 PLACES | ± | EC NO: 675456 | | DOCUMENT NUMBER | | | | |
| 3 PLACES | ± 0.05 | DRWN: MBN02 | 2021/08/24 | 930500001 | | DOC TYPE | DOC PART | REVISION |
| 2 PLACES | ± 0.1 | CHK'D: MBN02 | 2021/08/26 | | | PSD | 000 | V1 |
| 1 PLACE | ± 0.2 | APPR: SDEVITT | 2021/09/28 | | | SHEET NUMBER | | |
| 0 PLACES | ± | INITIAL REVISION: | | 4 OF 17 | | | | |
| DRAFT WHERE APPLICABLE MUST REMAIN WITHIN DIMENSIONS | | DRWN: CFISHER01 | 2015/11/24 | MATERIAL NUMBER | | CUSTOMER | | |
| | | APPR: MSHANAHAN | 2016/01/20 | SEE TABLE | | GENERAL MARKET | | |
| | | THIRD ANGLE PROJECTION | DRAWING | SERIES | | | | |
| | | | A2-SIZE | 93050 | | | | |

| | | | | |
|-----------------|----|--------------|------------|----------|
| DOCUMENT STATUS | P1 | RELEASE DATE | 2021/09/28 | 05:26:21 |
|-----------------|----|--------------|------------|----------|

| 2 CIRCUIT | | | | | | | | |
|-------------|--------------|------------------------|-----------------------|---|---------------|--------------|------------------------|---------------|
| PART NUMBER | HOUSING USED | TERMINAL VOID POSITION | REMOVED POSITION KEYS | CONFIGURATION | FIRST ENDWALL | LAST ENDWALL | POLARIZING RIB BETWEEN | COLOUR STRIPE |
| 93050-9001 | 93049-0002 | NONE | NONE |  | OPEN | OPEN | NONE | NONE |
| 93050-9002 | 93049-0102 | NONE | NONE |  | OPEN | OPEN | BETWEEN CCT 1&2 | NONE |
| 93050-9003 | 93049-0002 | NONE | a |  | OPEN | OPEN | NONE | NONE |
| 93050-9004 | 93049-0002 | NONE | b |  | OPEN | OPEN | NONE | NONE |
| 93050-9005 | 93049-0002 | NONE | c |  | OPEN | OPEN | NONE | NONE |
| 93050-9006 | 93049-0002 | NONE | ALL |  | OPEN | OPEN | NONE | NONE |
| 93050-9007 | 93049-0062 | NONE | NONE |  | CLOSED | OPEN | NONE | NONE |
| 93050-9008 | 93049-0122 | NONE | NONE |  | CLOSED | CLOSED | BETWEEN CCT 1&2 | NONE |
| 93050-9009 | 93049-0022 | NONE | NONE |  | CLOSED | CLOSED | NONE | NONE |
| 93050-9010 | 93049-0022 | NONE | b c |  | CLOSED | CLOSED | NONE | NONE |
| 93050-9011 | 93049-0022 | NONE | a b |  | CLOSED | CLOSED | NONE | NONE |

NOTES

- 1. + DENOTES TERMINAL VOIDED POSITION
- ⊕ DENOTES TERMINAL LOADED POSITION
- | DENOTES POLARIZING RIB POSITION
- 2. MOLEX HOUSING NO. FOR REFERENCE ONLY

| | | | | | | | | | | |
|---|--------|---|--|------------|--------|---|----------------|--------------|----------|----------|
| THIS DRAWING CONTAINS INFORMATION THAT IS PROPRIETARY TO MOLEX ELECTRONIC TECHNOLOGIES, LLC AND SHOULD NOT BE USED WITHOUT WRITTEN PERMISSION | | | | | | | | | | |
| DIMENSION UNITS | SCALE | CURRENT REV DESC: | | | |  | | | | |
| mm | 1:1 | | | | | | | | | |
| GENERAL TOLERANCES (UNLESS SPECIFIED) | | | | | | APPLI-MATE 2.5 FEMALE G.W.T. 750 VERSION | | | | |
| ANGULAR TOL | ± 0.5° | EC NO: 675456 | | | | PRODUCT CUSTOMER DRAWING | | | | |
| 4 PLACES | ± | DRWN: MBN02 | | 2021/08/24 | | | | | | |
| 3 PLACES | ± 0.05 | CHK'D: MBN02 | | 2021/08/26 | | | | | | |
| 2 PLACES | ± 0.1 | APPR: SDEVITT | | 2021/09/28 | | | | | | |
| 1 PLACE | ± 0.2 | INITIAL REVISION: | | | | DOCUMENT NUMBER | | | | |
| 0 PLACES | ± | DRWN: CFISHER01 | | 2015/11/24 | | 930500001 | | DOC TYPE | DOC PART | REVISION |
| DRAFT WHERE APPLICABLE MUST REMAIN WITHIN DIMENSIONS | | THIRD ANGLE PROJECTION | | DRAWING | SERIES | MATERIAL NUMBER | CUSTOMER | SHEET NUMBER | | |
| | |  | | A2-SIZE | 93050 | SEE TABLE | GENERAL MARKET | 5 OF 17 | | |

| 3 CIRCUIT | | | | | | | | |
|-------------|--------------|------------------------|-----------------------|---------------|---------------|--------------|------------------------|---------------|
| PART NUMBER | HOUSING USED | TERMINAL VOID POSITION | REMOVED POSITION KEYS | CONFIGURATION | FIRST ENDWALL | LAST ENDWALL | POLARIZING RIB BETWEEN | COLOUR STRIPE |
| 93050-0001 | 93049-0003 | NONE | NONE | | OPEN | OPEN | NONE | NONE |
| 93050-0003 | 93049-0003 | NONE | b d | | OPEN | OPEN | NONE | NONE |
| 93050-0005 | 93049-0003 | NONE | b | | OPEN | OPEN | NONE | NONE |
| 93050-0006 | 93049-0003 | NONE | d | | OPEN | OPEN | NONE | NONE |
| 93050-0007 | 93049-0003 | NONE | a c | | OPEN | OPEN | NONE | NONE |
| 93050-0008 | 93049-0003 | NONE | a b | | OPEN | OPEN | NONE | NONE |
| 93050-0009 | 93049-0003 | NONE | c d | | OPEN | OPEN | NONE | NONE |
| 93050-0012 | 93049-0103 | NONE | b c | | OPEN | OPEN | BETWEEN CCT 1&2 | NONE |
| 93050-0013 | 93049-0103 | NONE | a | | OPEN | OPEN | BETWEEN CCT 1&2 | NONE |
| 93050-0014 | 93049-0203 | NONE | c | | OPEN | OPEN | BETWEEN CCT 2&3 | BLUE |
| 93050-0016 | 93049-0103 | NONE | NONE | | OPEN | OPEN | BETWEEN CCT 1&2 | NONE |
| 93050-0018 | 93049-0003 | NONE | a b c | | OPEN | OPEN | NONE | NONE |
| 93050-0019 | 93049-0003 | NONE | c | | OPEN | OPEN | NONE | NONE |
| 93050-0020 | 93049-0003 | NONE | a d | | OPEN | OPEN | NONE | NONE |
| 93050-0021 | 93049-0003 | NONE | NONE | | OPEN | OPEN | NONE | BLUE |
| 93050-0022 | 93049-0103 | NONE | NONE | | OPEN | OPEN | BETWEEN CCT 1&2 | BLUE |
| 93050-0023 | 93049-0003 | NONE | b c | | OPEN | OPEN | NONE | NONE |
| 93050-0024 | 93049-0003 | NONE | a | | OPEN | OPEN | NONE | NONE |
| 93050-0025 | 93049-0003 | NONE | a d | | OPEN | OPEN | NONE | RED |
| 93050-0026 | 93049-0003 | NONE | c | | OPEN | OPEN | NONE | RED |
| 93050-0027 | 93049-0003 | CCT 3 | c | | OPEN | OPEN | NONE | BLUE |
| 93050-0028 | 93049-0003 | NONE | b d | | OPEN | OPEN | NONE | RED |
| 93050-0029 | 93049-0003 | NONE | a c | | OPEN | OPEN | NONE | RED |
| 93050-0030 | 93049-0003 | CCT 1 | NONE | | OPEN | OPEN | NONE | NONE |
| 93050-0031 | 93049-0003 | CCT 3 | NONE | | OPEN | OPEN | NONE | NONE |
| 93050-0151 | 93049-0063 | NONE | NONE | | CLOSED | OPEN | NONE | NONE |
| 93050-0032 | 93049-0003 | NONE | NONE | | OPEN | OPEN | NONE | BROWN |
| 93050-0034 | 93049-0103 | NONE | NONE | | OPEN | OPEN | BETWEEN CCT 1&2 | BLACK |
| 93050-0351 | 93049-0223 | NONE | NONE | | CLOSED | CLOSED | BETWEEN CCT 2&3 | NONE |

| 3 CIRCUIT | | | | | | | | |
|-------------|--------------|------------------------|-----------------------|---------------|---------------|--------------|------------------------|---------------|
| PART NUMBER | HOUSING USED | TERMINAL VOID POSITION | REMOVED POSITION KEYS | CONFIGURATION | FIRST ENDWALL | LAST ENDWALL | POLARIZING RIB BETWEEN | COLOUR STRIPE |
| 93050-0152 | 93049-0063 | NONE | NONE | | CLOSED | OPEN | NONE | BLUE |
| 93050-0038 | 93049-0003 | CCT 3 | NONE | | OPEN | OPEN | NONE | BLACK |
| 93050-0037 | 93049-0003 | NONE | b | | OPEN | OPEN | NONE | BLUE |
| 93050-0352 | 93049-0023 | NONE | NONE | | CLOSED | CLOSED | NONE | NONE |
| 93050-0039 | 93049-0203 | NONE | NONE | | OPEN | OPEN | BETWEEN CCT 2&3 | RED |
| 93050-0153 | 93049-0063 | NONE | a c | | CLOSED | OPEN | NONE | NONE |
| 93050-0154 | 93049-0063 | NONE | d | | CLOSED | OPEN | NONE | NONE |
| 93050-0040 | 93049-0103 | NONE | NONE | | OPEN | OPEN | BETWEEN CCT 1&2 | NONE |
| 93050-0041 | 93049-0203 | NONE | NONE | | OPEN | OPEN | BETWEEN CCT 2&3 | NONE |
| 93050-0042 | 93049-0003 | NONE | ALL | | OPEN | OPEN | NONE | NONE |
| 93050-0044 | 93049-0203 | NONE | a d | | OPEN | OPEN | BETWEEN CCT 2&3 | BLUE |
| 93050-0045 | 93049-0043 | NONE | d | | OPEN | CLOSED | NONE | NONE |
| 93050-0046 | 93049-0003 | NONE | a b d | | OPEN | OPEN | NONE | NONE |
| 93050-0047 | 93049-0043 | NONE | a d | | OPEN | CLOSED | NONE | GREEN |
| 93050-0048 | 93049-0003 | NONE | a d | | OPEN | OPEN | NONE | BLUE |
| 93050-0049 | 93049-0203 | NONE | NONE | | OPEN | OPEN | BETWEEN CCT 2&3 | BLACK |
| 93050-0050 | 93049-0003 | NONE | b c | | OPEN | OPEN | None | BLUE |
| 93050-0051 | 93049-0103 | NONE | ALL | | OPEN | OPEN | BETWEEN CCT 1&2 | BLUE |
| 93050-0052 | 93049-0083 | NONE | a c | | NARROW | OPEN | NONE | NONE |
| 93050-0053 | 93049-0083 | NONE | d | | NARROW | OPEN | NONE | NONE |
| 93050-0054 | 93049-0003 | NONE | NONE | | OPEN | OPEN | NONE | RED |
| 93050-0056 | 93049-0203 | NONE | ALL | | OPEN | OPEN | BETWEEN CCT 2&3 | NONE |

3CCT CONTINUED ON NEXT SHEET

NOTES

- + DENOTES TERMINAL VOIDED POSITION
⊕ DENOTES TERMINAL LOADED POSITION
| DENOTES POLARIZING RIB POSITION
- MOLEX HOUSING NO. FOR REFERENCE ONLY

| | | | | | | | | | | | | | |
|---|--|------------------------|--|--|--|-----------------|--|-----------------|----------|----------------|--------------|--|--|
| THIS DRAWING CONTAINS INFORMATION THAT IS PROPRIETARY TO MOLEX ELECTRONIC TECHNOLOGIES, LLC AND SHOULD NOT BE USED WITHOUT WRITTEN PERMISSION | | | | | | | | | | | | | |
| DIMENSION UNITS | | SCALE | | CURRENT REV DESC: | | | | | | | | | |
| mm | | 1:1 | | | | | | | | | | | |
| GENERAL TOLERANCES (UNLESS SPECIFIED) | | | | APPLI-MATE 2.5 FEMALE G.W.T. 750 VERSION PRODUCT CUSTOMER DRAWING | | | | | | | | | |
| ANGULAR TOL ± 0.5° | | | | | | | | | | | | | |
| 4 PLACES ± | | EC NO: 675456 | | | | | | | | 2021/08/24 | | | |
| 3 PLACES ± 0.05 | | DRWN: MBN02 | | | | | | | | 2021/08/26 | | | |
| 2 PLACES ± 0.1 | | CHK'D: MBN02 | | | | | | | | 2021/09/28 | | | |
| 1 PLACE ± 0.2 | | APPR: SDEVITT | | INITIAL REVISION: | | DOCUMENT NUMBER | | DOC TYPE | DOC PART | REVISION | | | |
| 0 PLACES ± | | DRWN: CFISHER01 | | 2015/11/24 | | 930500001 | | PSD | 000 | V1 | | | |
| DRAFT WHERE APPLICABLE MUST REMAIN WITHIN DIMENSIONS | | THIRD ANGLE PROJECTION | | DRAWING | | SERIES | | MATERIAL NUMBER | | CUSTOMER | SHEET NUMBER | | |
| | | | | A2-SIZE | | 93050 | | SEE TABLE | | GENERAL MARKET | 6 OF 17 | | |

3 CIRCUIT

| PART NUMBER | HOUSING USED | TERMINAL VOID POSITION | REMOVED POSITION KEYS | CONFIGURATION | FIRST ENDWALL | LAST ENDWALL | POLARIZING RIB BETWEEN | COLOUR STRIPE |
|-------------|--------------|------------------------|-----------------------|---------------|---------------|--------------|------------------------|---------------|
| 93050-0057 | 93049-0123 | NONE | NONE | | CLOSED | CLOSED | BETWEEN CCT 1&2 | NONE |
| 93050-0058 | 93049-0003 | NONE | NONE | | OPEN | OPEN | NONE | PURPLE |
| 93050-0059 | 93049-0003 | NONE | NONE | | OPEN | OPEN | NONE | GREEN |
| 93050-0060 | 93049-0123 | NONE | NONE | | CLOSED | CLOSED | BETWEEN CCT 1&2 | BLACK |
| 93050-0061 | 93049-0003 | NONE | ALL | | OPEN | OPEN | NONE | BLUE |
| 93050-0062 | 93049-0103 | NONE | a d | | OPEN | OPEN | BETWEEN CCT 1&2 | NONE |
| 93050-0063 | 93049-0243 | NONE | NONE | | OPEN | CLOSED | BETWEEN CCT 2&3 | NONE |
| 93050-0064 | 93049-0003 | NONE | b c d | | OPEN | OPEN | NONE | NONE |
| 93050-0065 | 93049-0263 | NONE | NONE | | CLOSED | OPEN | BETWEEN CCT 2&3 | NONE |
| 93050-0066 | 93049-9913 | NONE | NONE | | NARROW FLUSH | OPEN | BETWEEN CCT 2&3 | NONE |
| 93050-0067 | 93049-0203 | NONE | d | | OPEN | OPEN | BETWEEN CCT 2&3 | NONE |

4 CIRCUIT

| PART NUMBER | HOUSING USED | TERMINAL VOID POSITION | REMOVED POSITION KEYS | CONFIGURATION | FIRST ENDWALL | LAST ENDWALL | POLARIZING RIB BETWEEN | COLOUR STRIPE |
|-------------|--------------|------------------------|-----------------------|---------------|---------------|--------------|------------------------|---------------|
| 93050-0501 | 93049-0004 | NONE | NONE | | OPEN | OPEN | NONE | NONE |
| 93050-0503 | 93049-0304 | NONE | ALL | | OPEN | OPEN | BETWEEN CCT 3&4 | NONE |
| 93050-0504 | 93049-0304 | NONE | ALL | | OPEN | OPEN | BETWEEN CCT 3&4 | BLUE |
| 93050-0505 | 93049-0004 | NONE | c e | | OPEN | OPEN | NONE | NONE |
| 93050-0506 | 93049-0004 | NONE | b c | | OPEN | OPEN | NONE | NONE |
| 93050-0507 | 93049-0204 | NONE | NONE | | OPEN | OPEN | BETWEEN CCT 2&3 | NONE |
| 93050-0508 | 93049-0004 | NONE | a d e | | OPEN | OPEN | NONE | NONE |
| 93050-0509 | 93049-0004 | NONE | a c | | OPEN | OPEN | NONE | NONE |
| 93050-0751 | 93049-0064 | NONE | b e | | CLOSED | OPEN | NONE | NONE |
| 93050-0510 | 93049-0004 | NONE | b d | | OPEN | OPEN | NONE | NONE |
| 93050-0511 | 93049-0004 | NONE | b e | | OPEN | OPEN | NONE | NONE |
| 93050-0512 | 93049-0004 | NONE | NONE | | OPEN | OPEN | NONE | BLUE |
| 93050-0752 | 93049-0064 | NONE | NONE | | CLOSED | OPEN | NONE | NONE |
| 93050-0514 | 93049-0004 | NONE | c d | | OPEN | OPEN | NONE | NONE |
| 93050-0753 | 93049-0064 | NONE | a b d | | CLOSED | OPEN | NONE | NONE |
| 93050-0515 | 93049-0004 | NONE | b c | | OPEN | OPEN | NONE | RED |
| 93050-0516 | 93049-0004 | NONE | d | | OPEN | OPEN | NONE | BLUE |
| 93050-0517 | 93049-0004 | NONE | b d e | | OPEN | OPEN | NONE | BLUE |
| 93050-0518 | 93049-0004 | NONE | a c e | | OPEN | OPEN | NONE | NONE |
| 93050-0519 | 93049-0004 | NONE | a b | | OPEN | OPEN | NONE | NONE |
| 93050-0520 | 93049-0004 | NONE | a d | | OPEN | OPEN | NONE | NONE |
| 93050-0521 | 93049-0004 | NONE | a c d | | OPEN | OPEN | NONE | NONE |
| 93050-0522 | 93049-0004 | NONE | d e | | OPEN | OPEN | NONE | NONE |

4CCT CONTINUED ON NEXT SHEET

NOTES

- + DENOTES TERMINAL VOIDED POSITION
⊕ DENOTES TERMINAL LOADED POSITION
| DENOTES POLARIZING RIB POSITION
- MOLEX HOUSING NO. FOR REFERENCE ONLY

| | | | | | | | | | |
|---|--|--|--|------------------------|--|-----------------|--|--|--|
| THIS DRAWING CONTAINS INFORMATION THAT IS PROPRIETARY TO MOLEX ELECTRONIC TECHNOLOGIES, LLC AND SHOULD NOT BE USED WITHOUT WRITTEN PERMISSION | | | | | | | | | |
| DIMENSION UNITS mm | | SCALE 1:1 | | CURRENT REV DESC: | | | | | |
| GENERAL TOLERANCES (UNLESS SPECIFIED) | | ANGULAR TOL ± 0.5° | | EC NO: 675456 | | | | | |
| 4 PLACES ± | | 3 PLACES ± 0.05 | | DRWN: MBN02 | | 2021/08/24 | | APPLI-MATE 2.5 FEMALE G.W.T. 750 VERSION | |
| 2 PLACES ± 0.1 | | 1 PLACE ± 0.2 | | APP: SDEVITT | | 2021/09/28 | | PRODUCT CUSTOMER DRAWING | |
| 0 PLACES ± | | DRAFT WHERE APPLICABLE MUST REMAIN WITHIN DIMENSIONS | | THIRD ANGLE PROJECTION | | DRAWING | | SERIES | |
| A2-SIZE | | 93050 | | MATERIAL NUMBER | | CUSTOMER | | SHEET NUMBER | |
| SEE TABLE | | GENERAL MARKET | | 7 OF 17 | | DOCUMENT NUMBER | | REVISION | |
| 930500001 | | PSD 000 | | V1 | | | | | |

4 CIRCUIT

| PART NUMBER | HOUSING USED | TERMINAL VOID POSITION | REMOVED POSITION KEYS | CONFIGURATION | FIRST ENDWALL | LAST ENDWALL | POLARIZING RIB BETWEEN | COLOUR STRIPE |
|-------------|--------------|------------------------|-----------------------|---------------|---------------|--------------|------------------------|---------------|
| 93050-0523 | 93049-0044 | NONE | NONE | | OPEN | CLOSED | NONE | NONE |
| 93050-0525 | 93049-0004 | CCT 2 | b c | | OPEN | OPEN | NONE | NONE |
| 93050-0526 | 93049-0004 | CCT 2 | a d | | OPEN | OPEN | NONE | NONE |
| 93050-0527 | 93049-0004 | NONE | c e | | OPEN | OPEN | NONE | NONE |
| 93050-0528 | 93049-0004 | CCT 2 | d e | | OPEN | OPEN | NONE | NONE |
| 93050-0529 | 93049-0004 | NONE | b c d | | OPEN | OPEN | NONE | NONE |
| 93050-0530 | 93049-0004 | NONE | c | | OPEN | OPEN | NONE | NONE |
| 93050-0532 | 93049-0024 | NONE | NONE | | CLOSED | CLOSED | NONE | NONE |
| 93050-0533 | 93049-0104 | NONE | NONE | | OPEN | OPEN | BETWEEN CCT 1&2 | NONE |
| 93050-0534 | 93049-0084 | NONE | NONE | | NARROW | OPEN | NONE | NONE |
| 93050-0535 | 93049-0304 | NONE | NONE | | OPEN | OPEN | BETWEEN CCT 3&4 | BLACK |
| 93050-0536 | 93049-0044 | NONE | b | | OPEN | CLOSED | NONE | NONE |
| 93050-0537 | 93049-0304 | NONE | b c e | | OPEN | OPEN | BETWEEN CCT 3&4 | BLUE |
| 93050-0538 | 93049-0004 | NONE | a b d | | OPEN | OPEN | NONE | NONE |
| 93050-0540 | 93049-0064 | NONE | b | | CLOSED | OPEN | NONE | NONE |
| 93050-0541 | 93049-0004 | NONE | b | | OPEN | OPEN | NONE | NONE |
| 93050-0542 | 93049-0304 | NONE | NONE | | OPEN | OPEN | BETWEEN CCT 3&4 | NONE |
| 93050-0543 | 93049-0064 | NONE | a e | | CLOSED | OPEN | NONE | NONE |
| 93050-0544 | 93049-0084 | NONE | a e | | NARROW | OPEN | NONE | NONE |
| 93050-0545 | 93049-9901 | NONE | a e | | NARROW FLUSH | OPEN | NONE | NONE |
| 93050-0546 | 93049-9901 | NONE | NONE | | NARROW FLUSH | OPEN | NONE | NONE |
| 93050-0547 | 93049-0004 | CCT 1,2 | NONE | | OPEN | OPEN | NONE | NONE |
| 93050-0548 | 93049-0004 | NONE | a c | | OPEN | OPEN | NONE | RED |
| 93050-0549 | 93049-0004 | NONE | NONE | | OPEN | OPEN | NONE | RED |
| 93050-0550 | 93049-0424 | NONE | NONE | | CLOSED | CLOSED | BETWEEN CCT 3&4 | BLACK |
| 93050-0551 | 93049-0004 | NONE | a b c | | OPEN | OPEN | NONE | NONE |
| 93050-0552 | 93049-0084 | NONE | NONE | | NARROW | OPEN | NONE | RED |
| 93050-0553 | 93049-0224 | NONE | NONE | | CLOSED | CLOSED | BETWEEN CCT 2&3 | NONE |

NOTES

- + DENOTES TERMINAL VOIDED POSITION
 ⊕ DENOTES TERMINAL LOADED POSITION
 | DENOTES POLARIZING RIB POSITION
- MOLEX HOUSING NO. FOR REFERENCE ONLY

4 CIRCUIT

| PART NUMBER | HOUSING USED | TERMINAL VOID POSITION | REMOVED POSITION KEYS | CONFIGURATION | FIRST ENDWALL | LAST ENDWALL | POLARIZING RIB BETWEEN | COLOUR STRIPE |
|-------------|--------------|------------------------|-----------------------|---------------|---------------|--------------|------------------------|---------------|
| 93050-0554 | 93049-0124 | NONE | NONE | | CLOSED | CLOSED | BETWEEN CCT 1&2 | NONE |
| 93050-0555 | 93049-0004 | NONE | b c d | | OPEN | OPEN | NONE | RED |
| 93050-0556 | 93049-0004 | NONE | c d | | OPEN | OPEN | NONE | BLUE |
| 93050-0557 | 93049-0004 | NONE | b e | | OPEN | OPEN | NONE | BLUE |
| 93050-0558 | 93049-0004 | NONE | b | | OPEN | OPEN | NONE | BLUE |
| 93050-0559 | 93049-0004 | NONE | a e | | OPEN | OPEN | NONE | NONE |
| 93050-0560 | 93049-0004 | NONE | b d e | | OPEN | OPEN | NONE | NONE |
| 93050-0561 | 93049-0004 | CCT 1 | a b | | OPEN | OPEN | NONE | NONE |
| 93050-0562 | 93049-0304 | NONE | NONE | | OPEN | OPEN | 3&4 | RED |
| 93050-0563 | 93049-0004 | CCT 2,3 | NONE | | OPEN | OPEN | NONE | NONE |

THIS DRAWING CONTAINS INFORMATION THAT IS PROPRIETARY TO MOLEX ELECTRONIC TECHNOLOGIES, LLC AND SHOULD NOT BE USED WITHOUT WRITTEN PERMISSION

| | | | | | | |
|--|------------------------|----------------------------|--|-----------------|----------------|--------------|
| DIMENSION UNITS | SCALE | CURRENT REV DESC: | | | | |
| mm | 1:1 | | | | | |
| GENERAL TOLERANCES (UNLESS SPECIFIED) | | | APPLI-MATE 2.5 FEMALE G.W.T. 750 VERSION PRODUCT CUSTOMER DRAWING | | | |
| ANGULAR TOL | ± 0.5° | EC NO: 675456 | | | | |
| 4 PLACES | ± | DRWN: MBN02 2021/08/24 | DOCUMENT NUMBER | | | |
| 3 PLACES | ± 0.05 | CHK'D: MBN02 2021/08/26 | | | | |
| 2 PLACES | ± 0.1 | APPR: SDEVITT 2021/09/28 | 930500001 | | | |
| 1 PLACE | ± 0.2 | INITIAL REVISION: | | | | |
| 0 PLACES | ± | DRWN: CFISHER01 2015/11/24 | PSD 000 V1 | | | |
| | | APPR: MSHANAHAN 2016/01/20 | | | | |
| DRAFT WHERE APPLICABLE MUST REMAIN WITHIN DIMENSIONS | THIRD ANGLE PROJECTION | DRAWING | SERIES | MATERIAL NUMBER | CUSTOMER | SHEET NUMBER |
| | | A2-SIZE | 93050 | SEE TABLE | GENERAL MARKET | 8 OF 17 |

| 5 CIRCUIT | | | | | | | | |
|-------------|--------------|------------------------|-----------------------|---------------|---------------|--------------|------------------------|---------------|
| PART NUMBER | HOUSING USED | TERMINAL VOID POSITION | REMOVED POSITION KEYS | CONFIGURATION | FIRST ENDWALL | LAST ENDWALL | POLARIZING RIB BETWEEN | COLOUR STRIPE |
| 93050-1001 | 93049-0005 | NONE | NONE | | OPEN | OPEN | NONE | NONE |
| 93050-1002 | 93049-0005 | NONE | c d e | | OPEN | OPEN | NONE | NONE |
| 93050-1003 | 93049-0205 | NONE | NONE | | OPEN | OPEN | BETWEEN CCT 2&3 | NONE |
| 93050-1004 | 93049-0005 | NONE | c d | | OPEN | OPEN | NONE | NONE |
| 93050-1005 | 93049-0005 | CCT 2,3,4 | e | | OPEN | OPEN | NONE | NONE |
| 93050-1006 | 93049-0005 | CCT 1,2,4 | b c d e | | OPEN | OPEN | NONE | NONE |
| 93050-1007 | 93049-0005 | CCT 4 | a f | | OPEN | OPEN | NONE | NONE |
| 93050-1008 | 93049-0005 | NONE | d | | OPEN | OPEN | NONE | NONE |
| 93050-1009 | 93049-0005 | CCT 2,4 | NONE | | OPEN | OPEN | NONE | NONE |
| 93050-1010 | 93049-0005 | NONE | ALL | | OPEN | OPEN | NONE | NONE |
| 93050-1011 | 93049-0005 | CCT 1,2,4 | NONE | | OPEN | OPEN | NONE | NONE |
| 93050-1012 | 93049-0005 | CCT 2,3,4 | NONE | | OPEN | OPEN | NONE | NONE |
| 93050-1013 | 93049-0005 | NONE | a | | OPEN | OPEN | NONE | NONE |
| 93050-1014 | 93049-0105 | NONE | NONE | | OPEN | OPEN | BETWEEN CCT 1&2 | NONE |
| 93050-1016 | 93049-0005 | CCT 4 | NONE | | OPEN | OPEN | NONE | NONE |
| 93050-1017 | 93049-0005 | NONE | a b d e f | | OPEN | OPEN | NONE | NONE |
| 93050-1018 | 93049-0005 | NONE | b c d | | OPEN | OPEN | NONE | NONE |
| 93050-1019 | 93049-0005 | CCT 1,2,4 | a b c d e f | | OPEN | OPEN | NONE | BLUE |
| 93050-1020 | 93049-0005 | CCT 2,3,4 | a b c d e f | | OPEN | OPEN | NONE | NONE |
| 93050-1021 | 93049-0005 | CCT 1,2,4 | a d e f | | OPEN | OPEN | NONE | NONE |
| 93050-1022 | 93049-0005 | CCT 4,5 | NONE | | OPEN | OPEN | NONE | NONE |
| 93050-1023 | 93049-0005 | CCT 5 | NONE | | OPEN | OPEN | NONE | NONE |
| 93050-1024 | 93049-0305 | NONE | NONE | | OPEN | OPEN | BETWEEN CCT 3&4 | BLUE |
| 93050-1025 | 93049-0005 | CCT 2,4 | NONE | | OPEN | OPEN | NONE | GREEN |
| 93050-1026 | 93049-0005 | CCT 2,3,4 | a b c e f | | OPEN | OPEN | NONE | NONE |
| 93050-1027 | 93049-0005 | NONE | b c d e | | OPEN | OPEN | NONE | NONE |
| 93050-1028 | 93049-0305 | NONE | NONE | | OPEN | OPEN | BETWEEN CCT 3&4 | GREEN |
| 93050-1029 | 93049-0105 | NONE | ALL | | OPEN | OPEN | BETWEEN CCT 1&2 | NONE |
| 93050-1030 | 93049-0005 | CCT 4 | c d e | | OPEN | OPEN | NONE | NONE |

| 5 CIRCUIT | | | | | | | | |
|-------------|--------------|------------------------|-----------------------|---------------|---------------|--------------|------------------------|---------------|
| PART NUMBER | HOUSING USED | TERMINAL VOID POSITION | REMOVED POSITION KEYS | CONFIGURATION | FIRST ENDWALL | LAST ENDWALL | POLARIZING RIB BETWEEN | COLOUR STRIPE |
| 93050-1031 | 93049-0005 | CCT 2,3,4 | a d e f | | OPEN | OPEN | NONE | NONE |
| 93050-1032 | 93049-0405 | NONE | NONE | | OPEN | OPEN | BETWEEN CCT 4&5 | BROWN |
| 93050-1033 | 93049-0005 | CCT 2,3,4 | a b d e f | | OPEN | OPEN | NONE | NONE |
| 93050-1034 | 93049-0005 | CCT 2,3,4 | b | | OPEN | OPEN | NONE | NONE |
| 93050-1035 | 93049-0005 | NONE | a b d e | | OPEN | OPEN | NONE | NONE |
| 93050-1036 | 93049-0405 | NONE | a c f | | OPEN | OPEN | BETWEEN CCT 4&5 | NONE |
| 93050-1037 | 93049-0005 | NONE | b e | | OPEN | OPEN | NONE | RED |
| 93050-1038 | 93049-0005 | NONE | NONE | | OPEN | OPEN | NONE | RED |
| 93050-1039 | 93049-0005 | NONE | a f | | OPEN | OPEN | NONE | NONE |
| 93050-1040 | 93049-0405 | NONE | NONE | | OPEN | OPEN | BETWEEN CCT 4&5 | NONE |
| 93050-1041 | 93049-0025 | NONE | NONE | | CLOSED | CLOSED | NONE | NONE |
| 93050-1042 | 93049-0005 | NONE | a c f | | OPEN | OPEN | NONE | NONE |
| 93050-1043 | 93049-0005 | NONE | b d e | | OPEN | OPEN | NONE | NONE |
| 93050-1044 | 93049-0005 | NONE | b d | | OPEN | OPEN | NONE | NONE |
| 93050-1045 | 93049-0005 | NONE | a d e | | OPEN | OPEN | NONE | NONE |
| 93050-1046 | 93049-0005 | NONE | a d f | | OPEN | OPEN | NONE | RED |
| 93050-1047 | 93049-9902 | NONE | NONE | | NARROW FLUSH | NARROW FLUSH | NONE | NONE |
| 93050-1048 | 93049-0005 | CCT 2,3,4 | c d f | | OPEN | OPEN | NONE | NONE |
| 93050-1049 | 93049-0005 | CCT 2,3,4 | a b c | | OPEN | OPEN | NONE | NONE |
| 93050-1050 | 93049-0005 | NONE | a d e f | | OPEN | OPEN | NONE | NONE |
| 93050-1051 | 93049-0005 | NONE | a c d e | | OPEN | OPEN | NONE | NONE |
| 93050-1052 | 93049-0005 | NONE | NONE | | OPEN | OPEN | NONE | BLACK |
| 93050-1053 | 93049-0405 | NONE | NONE | | OPEN | OPEN | BETWEEN CCT 4&5 | BLUE |
| 93050-1054 | 93049-0125 | NONE | NONE | | CLOSED | CLOSED | BETWEEN CCT 1&2 | NONE |

5CCT CONTINUED ON NEXT SHEET

NOTES

- + DENOTES TERMINAL VOIDED POSITION
⊕ DENOTES TERMINAL LOADED POSITION
| DENOTES POLARIZING RIB POSITION
- MOLEX HOUSING NO. FOR REFERENCE ONLY

| | | | | | | | | | |
|---|--|-------|--|------------------------|--|----------------|--|--|--|
| THIS DRAWING CONTAINS INFORMATION THAT IS PROPRIETARY TO MOLEX ELECTRONIC TECHNOLOGIES, LLC AND SHOULD NOT BE USED WITHOUT WRITTEN PERMISSION | | | | | | | | | |
| DIMENSION UNITS | | SCALE | | CURRENT REV DESC: | | | | | |
| mm | | 1:1 | | EC NO: 675456 | | | | | |
| GENERAL TOLERANCES (UNLESS SPECIFIED) | | | | DRWN: MBN02 | | 2021/08/24 | | | |
| ANGULAR TOL ± 0.5° | | | | CHK'D: MBN02 | | 2021/08/26 | | | |
| 4 PLACES ± | | | | APPR: SDEVITT | | 2021/09/28 | | APPLI-MATE 2.5 FEMALE G.W.T. 750 VERSION | |
| 3 PLACES ± 0.05 | | | | INITIAL REVISION: | | | | | |
| 2 PLACES ± 0.1 | | | | DRWN: CFISHER01 | | 2015/11/24 | | PRODUCT CUSTOMER DRAWING | |
| 1 PLACE ± 0.2 | | | | APPR: MSHANAHAN | | 2016/01/20 | | DOCUMENT NUMBER | |
| 0 PLACES ± | | | | THIRD ANGLE PROJECTION | | DRAWING | | SERIES | |
| DRAFT WHERE APPLICABLE MUST REMAIN WITHIN DIMENSIONS | | | | | | A2-SIZE | | 93050 | |
| | | | | MATERIAL NUMBER | | CUSTOMER | | SHEET NUMBER | |
| | | | | SEE TABLE | | GENERAL MARKET | | 9 OF 17 | |

| 5 CIRCUIT | | | | | | | | |
|-------------|--------------|------------------------|-----------------------|---------------|---------------|--------------|------------------------|---------------|
| PART NUMBER | HOUSING USED | TERMINAL VOID POSITION | REMOVED POSITION KEYS | CONFIGURATION | FIRST ENDWALL | LAST ENDWALL | POLARIZING RIB BETWEEN | COLOUR STRIPE |
| 93050-1055 | 93049-0005 | CCT 2,3,4 | NONE | | OPEN | OPEN | NONE | RED |
| 93050-1056 | 93049-0005 | NONE | a c d | | OPEN | OPEN | NONE | NONE |
| 93050-1057 | 93049-0005 | CCT 1, 2, 3 | b c d | | OPEN | OPEN | NONE | NONE |
| 93050-1058 | 93049-0225 | NONE | NONE | | CLOSED | CLOSED | 2&3 | NONE |
| 93050-1059 | 93049-0005 | CCT 2,3,4 | a b c | | OPEN | OPEN | NONE | GREEN |
| 93050-1060 | 93049-0005 | CCT 2,3,4 | c d f | | OPEN | OPEN | NONE | BLACK |
| 93050-1061 | 93049-0205 | NONE | NONE | | OPEN | OPEN | 2&3 | BROWN |
| 93050-1062 | 93049-0405 | NONE | NONE | | OPEN | OPEN | 4&5 | RED |
| 93050-1063 | 93049-0085 | NONE | NONE | | NARROW | OPEN | NONE | NONE |
| 93050-1064 | 94006-0005 | NONE | NONE | | OPEN | OPEN | NONE | NONE |
| 93050-1065 | 93049-0005 | NONE | a b c | | OPEN | OPEN | NONE | NONE |
| 93050-1066 | 93049-0005 | NONE | d e f | | OPEN | OPEN | NONE | NONE |

| 6 CIRCUIT | | | | | | | | |
|-------------|--------------|------------------------|-----------------------|---------------|---------------|--------------|------------------------|---------------|
| PART NUMBER | HOUSING USED | TERMINAL VOID POSITION | REMOVED POSITION KEYS | CONFIGURATION | FIRST ENDWALL | LAST ENDWALL | POLARIZING RIB BETWEEN | COLOUR STRIPE |
| 93050-1501 | 93049-0006 | NONE | NONE | | OPEN | OPEN | NONE | NONE |
| 93050-1502 | 93049-0006 | CCT 2,4 | NONE | | OPEN | OPEN | NONE | NONE |
| 93050-1503 | 93049-0006 | NONE | a d e f | | OPEN | OPEN | NONE | NONE |
| 93050-1504 | 93049-0006 | CCT 2, 5 | b c d e g | | OPEN | OPEN | NONE | NONE |
| 93050-1505 | 93049-0006 | NONE | b d e g | | OPEN | OPEN | NONE | NONE |
| 93050-1506 | 93049-0006 | NONE | g | | OPEN | OPEN | NONE | NONE |
| 93050-1507 | 93049-0006 | NONE | b c d g | | OPEN | OPEN | NONE | NONE |
| 93050-1508 | 93049-0006 | NONE | b c e | | OPEN | OPEN | NONE | NONE |
| 93050-1509 | 93049-0006 | NONE | b c d e f | | OPEN | OPEN | NONE | NONE |
| 93050-1510 | 93049-0006 | CCT 3, 5 | NONE | | OPEN | OPEN | NONE | NONE |
| 93050-1511 | 93049-0006 | CCT 4 | b c | | OPEN | OPEN | NONE | NONE |
| 93050-1512 | 93049-0006 | CCT 2,4 | b d e f | | OPEN | OPEN | NONE | BLUE |
| 93050-1513 | 93049-0406 | CCT 2,4 | NONE | | OPEN | OPEN | BETWEEN CCT 4&5 | NONE |
| 93050-1514 | 93049-0006 | NONE | d e f g | | OPEN | OPEN | NONE | NONE |
| 93050-1515 | 93049-0006 | NONE | a d | | OPEN | OPEN | NONE | NONE |
| 93050-1516 | 93049-0006 | NONE | b e f | | OPEN | OPEN | NONE | NONE |
| 93050-1517 | 93049-0006 | NONE | c d e | | OPEN | OPEN | NONE | NONE |
| 93050-1518 | 93049-0006 | CCT 1,3 | b d e g | | OPEN | OPEN | NONE | NONE |
| 93050-1520 | 93049-0006 | CCT 2, 5 | c e | | OPEN | OPEN | NONE | NONE |
| 93050-1521 | 93049-0006 | NONE | c e | | OPEN | OPEN | NONE | NONE |
| 93050-1522 | 93049-0006 | NONE | d e | | OPEN | OPEN | NONE | NONE |
| 93050-1523 | 93049-0006 | NONE | b d | | OPEN | OPEN | NONE | NONE |
| 93050-1524 | 93049-0006 | NONE | a c | | OPEN | OPEN | NONE | NONE |
| 93050-1525 | 93049-0006 | CCT 2, 5 | NONE | | OPEN | OPEN | NONE | RED |

6CCT CONTINUED ON NEXT SHEET

NOTES

- + DENOTES TERMINAL VOIDED POSITION
 - ⊕ DENOTES TERMINAL LOADED POSITION
 - | DENOTES POLARIZING RIB POSITION
2. MOLEX HOUSING NO. FOR REFERENCE ONLY

| | | | | | | | | | |
|---|--------|------------------------|---------|--------|--|----------------|----------|----------|----------|
| THIS DRAWING CONTAINS INFORMATION THAT IS PROPRIETARY TO MOLEX ELECTRONIC TECHNOLOGIES, LLC AND SHOULD NOT BE USED WITHOUT WRITTEN PERMISSION | | | | | | | | | |
| DIMENSION UNITS | SCALE | CURRENT REV DESC: | | | | | | | |
| mm | 1:1 | | | | | | | | |
| GENERAL TOLERANCES (UNLESS SPECIFIED) | | EC NO: 675456 | | | APPLI-MATE 2.5 FEMALE G.W.T. 750 VERSION | | | | |
| ANGULAR TOL | ± 0.5° | DRWN: MBN02 | | | 2021/08/24 | | | | |
| 4 PLACES | ± | CHK'D: MBN02 | | | 2021/08/26 | | | | |
| 3 PLACES | ± 0.05 | APPR: SDEVITT | | | 2021/09/28 | | | | |
| 2 PLACES | ± 0.1 | INITIAL REVISION: | | | PRODUCT CUSTOMER DRAWING | | | | |
| 1 PLACE | ± 0.2 | DRWN: CFISHER01 | | | DOCUMENT NUMBER | | | | |
| 0 PLACES | ± | APPR: MSHANAHAN | | | 930500001 | | | | |
| DRAFT WHERE APPLICABLE MUST DIMENSIONS WITHIN DIMENSIONS | | THIRD ANGLE PROJECTION | DRAWING | SERIES | MATERIAL NUMBER | CUSTOMER | DOC TYPE | DOC PART | REVISION |
| | | | A2-SIZE | 93050 | SEE TABLE | GENERAL MARKET | PSD | 000 | V1 |
| SHEET NUMBER | | 10 OF 17 | | | | | | | |

| 6 CIRCUIT | | | | | | | | |
|-------------|-----------------------|------------------------|-----------------------|---------------|---------------|--------------|------------------------|---------------|
| PART NUMBER | HOUSING USED | TERMINAL VOID POSITION | REMOVED POSITION KEYS | CONFIGURATION | FIRST ENDWALL | LAST ENDWALL | POLARIZING RIB BETWEEN | COLOUR STRIPE |
| 93050-1526 | 93049-0006 | NONE | c d | | OPEN | OPEN | NONE | NONE |
| 93050-1527 | 93049-0006 | CCT 1,2,3,4 | NONE | | OPEN | OPEN | NONE | NONE |
| 93050-1528 | 93049-0006 | NONE | c e f g | | OPEN | OPEN | NONE | NONE |
| 93050-1529 | 93049-0006 | NONE | f | | OPEN | OPEN | NONE | NONE |
| 93050-1531 | 93049-0006 | CCT 2, 5 | b d | | OPEN | OPEN | NONE | NONE |
| 93050-1532 | 93049-0006 | CCT 2,4 | d e | | OPEN | OPEN | NONE | NONE |
| 93050-1533 | 93049-1426 | NONE | NONE | | CLOSED | CLOSED | BETWEEN CCT 1&2 2&3 | NONE |
| 93050-1534 | 93049-0106 | NONE | NONE | | OPEN | OPEN | BETWEEN CCT 1&2 | BLACK |
| 93050-1535 | 93049-0226 | NONE | ALL | | CLOSED | CLOSED | BETWEEN CCT 2&3 | NONE |
| 93050-1536 | 93049-0526 | NONE | NONE | | CLOSED | CLOSED | BETWEEN CCT 5&6 | NONE |
| 93050-1538 | 93049-0006 | NONE | e f | | OPEN | OPEN | NONE | NONE |
| 93050-1539 | 93049-0006 | CCT 3, 5 | NONE | | OPEN | OPEN | NONE | BLUE |
| 93050-1540 | 93049-0006 | CCT 2,4 | a b f g | | OPEN | OPEN | NONE | BLUE |
| 93050-1541 | 93049-0006 | CCT 1,2,3,4 | a b f g | | OPEN | OPEN | NONE | NONE |
| 93050-1542 | 93049-0006 | CCT 4,5,6 | a b c f | | OPEN | OPEN | NONE | NONE |
| 93050-1543 | 93049-0006 | CCT 2, 5 | NONE | | OPEN | OPEN | NONE | NONE |
| 93050-1544 | 93049-0066 | NONE | NONE | | CLOSED | OPEN | NONE | NONE |
| 93050-1545 | 93049-0006 | NONE | d f | | OPEN | OPEN | NONE | NONE |
| 93050-1546 | 93049-0006 | NONE | c e g | | OPEN | OPEN | NONE | NONE |
| 93050-1547 | 93049-0306 | NONE | a b g | | OPEN | OPEN | BETWEEN CCT 3&4 | BLUE |
| 93050-1548 | 93049-0006 | CCT 4,5,6 | b c f | | OPEN | OPEN | NONE | NONE |
| 93050-1549 | 93049-0026 | CCT 2, 5 | NONE | | CLOSED | CLOSED | NONE | NONE |
| 93050-1550 | 93049-0026 | NONE | c d | | CLOSED | CLOSED | NONE | NONE |
| 93050-1551 | 93049-0206 | NONE | NONE | | OPEN | OPEN | BETWEEN CCT 2&3 | NONE |
| 93050-1552 | 93049-0206 | NONE | NONE | | OPEN | OPEN | BETWEEN CCT 2&3 | RED |
| 93050-1553 | 93049-0006 | CCT 3, 5 | c d e | | OPEN | OPEN | NONE | NONE |
| 93050-1554 | 93049-0006 | NONE | b f g | | OPEN | OPEN | NONE | NONE |
| 93050-1555 | REPLACE BY 93050-1509 | | | | | | | |
| 93050-1556 | 93049-0426 | NONE | NONE | | CLOSED | CLOSED | BETWEEN CCT 4&5 | BROWN |

| 6 CIRCUIT | | | | | | | | |
|-------------|--------------|------------------------|-----------------------|---------------|---------------|--------------|------------------------|---------------|
| PART NUMBER | HOUSING USED | TERMINAL VOID POSITION | REMOVED POSITION KEYS | CONFIGURATION | FIRST ENDWALL | LAST ENDWALL | POLARIZING RIB BETWEEN | COLOUR STRIPE |
| 93050-1557 | 93049-0006 | NONE | c f | | OPEN | OPEN | NONE | NONE |
| 93050-1558 | 93049-0006 | CCT 2, 5 | d f | | OPEN | OPEN | NONE | NONE |
| 93050-1559 | 93049-0006 | CCT 2,4 | d e | | OPEN | OPEN | NONE | GREEN |
| 93050-1560 | 93049-0086 | CCT 2, 5 | NONE | | NARROW | OPEN | NONE | NONE |
| 93050-1561 | 93049-0046 | CCT 2, 5 | NONE | | OPEN | CLOSED | NONE | NONE |
| 93050-1562 | 93049-0046 | NONE | c d | | OPEN | CLOSED | NONE | NONE |
| 93050-1563 | 93049-0006 | NONE | b d f | | OPEN | OPEN | NONE | BLUE |
| 93050-1564 | 93049-0006 | NONE | NONE | | OPEN | OPEN | NONE | BLUE |
| 93050-1565 | 93049-0266 | NONE | NONE | | CLOSED | OPEN | BETWEEN CCT 2&3 | BLUE |
| 93050-1566 | 93049-0426 | NONE | NONE | | CLOSED | CLOSED | BETWEEN CCT 4&5 | NONE |
| 93050-1567 | 93049-0006 | NONE | a b f g | | OPEN | OPEN | NONE | BLUE |
| 93050-1568 | 93049-1506 | NONE | c f | | OPEN | OPEN | BETWEEN CCT 1&2 3&4 | NONE |
| 93050-1569 | 93049-0206 | CCT 2, 5 | NONE | | OPEN | OPEN | BETWEEN CCT 2&3 | NONE |
| 93050-1570 | 93049-0426 | NONE | NONE | | CLOSED | CLOSED | BETWEEN CCT 4&5 | BLACK |
| 93050-1571 | 93049-0006 | NONE | a c e g | | OPEN | OPEN | NONE | BLACK |
| 93050-1572 | 93049-0006 | NONE | NONE | | OPEN | OPEN | NONE | BLACK |
| 93050-1573 | 93049-0006 | CCT 2 | NONE | | OPEN | OPEN | NONE | BLACK |
| 93050-1574 | 93049-0006 | CCT 5 | NONE | | OPEN | OPEN | NONE | NONE |
| 93050-1575 | 93049-0426 | NONE | NONE | | CLOSED | CLOSED | BETWEEN CCT 4&5 | YELLOW |
| 93050-1576 | 93049-0026 | NONE | NONE | | CLOSED | CLOSED | NONE | GREEN |
| 93050-1577 | 93049-0006 | NONE | NONE | | OPEN | OPEN | NONE | BROWN |
| 93050-1578 | 93049-0006 | NONE | a c d e f g | | OPEN | OPEN | NONE | NONE |
| 93050-1579 | 93049-0006 | CCT 5 | a c d e f g | | OPEN | OPEN | NONE | NONE |
| 93050-1580 | 93049-0126 | NONE | NONE | | CLOSED | CLOSED | BETWEEN CCT 1&2 | NONE |

6CCT CONTINUED ON NEXT SHEET

NOTES

- + DENOTES TERMINAL VOIDED POSITION
⊕ DENOTES TERMINAL LOADED POSITION
| DENOTES POLARIZING RIB POSITION
- MOLEX HOUSING NO. FOR REFERENCE ONLY

| | | | | | | | | | |
|---|--|-------|--|------------------------|--|----------------|--|--|--|
| THIS DRAWING CONTAINS INFORMATION THAT IS PROPRIETARY TO MOLEX ELECTRONIC TECHNOLOGIES, LLC AND SHOULD NOT BE USED WITHOUT WRITTEN PERMISSION | | | | | | | | | |
| DIMENSION UNITS | | SCALE | | CURRENT REV DESC: | | | | | |
| mm | | 1:1 | | EC NO: 675456 | | | | | |
| GENERAL TOLERANCES (UNLESS SPECIFIED) | | | | DRWN: MBN02 | | 2021/08/24 | | | |
| ANGULAR TOL ± 0.5° | | | | CHK'D: MBN02 | | 2021/08/26 | | | |
| 4 PLACES ± | | | | APPR: SDEVITT | | 2021/09/28 | | APPLI-MATE 2.5 FEMALE G.W.T. 750 VERSION | |
| 3 PLACES ± 0.05 | | | | INITIAL REVISION: | | | | | |
| 2 PLACES ± 0.1 | | | | DRWN: CFISHER01 | | 2015/11/24 | | PRODUCT CUSTOMER DRAWING | |
| 1 PLACE ± 0.2 | | | | APPR: MSHANAHAN | | 2016/01/20 | | DOCUMENT NUMBER | |
| 0 PLACES ± | | | | THIRD ANGLE PROJECTION | | DRAWING | | SERIES | |
| DRAFT WHERE APPLICABLE MUST REMAIN WITHIN DIMENSIONS | | | | DRAWING | | SERIES | | MATERIAL NUMBER | |
| | | | | A2-SIZE | | 93050 | | CUSTOMER | |
| | | | | SEE TABLE | | GENERAL MARKET | | SHEET NUMBER | |
| | | | | | | | | 11 OF 17 | |

| 6 CIRCUIT | | | | | | | | |
|-------------|--------------|------------------------|-----------------------|---------------|---------------|--------------|------------------------|---------------|
| PART NUMBER | HOUSING USED | TERMINAL VOID POSITION | REMOVED POSITION KEYS | CONFIGURATION | FIRST ENDWALL | LAST ENDWALL | POLARIZING RIB BETWEEN | COLOUR STRIPE |
| 93050-1581 | 93049-0226 | NONE | NONE | | CLOSED | CLOSED | BETWEEN CCT 2&3 | NONE |
| 93050-1582 | 93049-0006 | CCT 1 | NONE | | OPEN | OPEN | NONE | NONE |
| 93050-1583 | 93049-0006 | CCT 3,4 | NONE | | OPEN | OPEN | NONE | NONE |
| 93050-1584 | 93049-0506 | NONE | a g | | OPEN | OPEN | BETWEEN CCT 5&6 | NONE |
| 93050-1585 | 93049-0006 | NONE | d | | OPEN | OPEN | NONE | NONE |
| 93050-1586 | 93049-0006 | NONE | a c d e g | | OPEN | OPEN | NONE | NONE |
| 93050-1587 | 93049-0006 | NONE | a b d e g | | OPEN | OPEN | NONE | NONE |
| 93050-1588 | 93049-9914 | NONE | NONE | | NARROW FLUSH | OPEN | NONE | RED |
| 93050-1589 | 93049-0006 | NONE | NONE | | OPEN | OPEN | NONE | GREEN |
| 93050-1590 | 93049-0006 | NONE | a b d f g | | OPEN | OPEN | NONE | NONE |
| 93050-1591 | 93049-0006 | NONE | a b c d e f g | | OPEN | OPEN | NONE | NONE |

| 7 CIRCUIT | | | | | | | | |
|-------------|--------------|------------------------|-----------------------|---------------|---------------|--------------|------------------------|---------------|
| PART NUMBER | HOUSING USED | TERMINAL VOID POSITION | REMOVED POSITION KEYS | CONFIGURATION | FIRST ENDWALL | LAST ENDWALL | POLARIZING RIB BETWEEN | COLOUR STRIPE |
| 93050-2001 | 93049-0007 | NONE | NONE | | OPEN | OPEN | NONE | NONE |
| 93050-2002 | 93049-0007 | CCT 2, 3, 5 | c d f h | | OPEN | OPEN | NONE | NONE |
| 93050-2003 | 93049-0007 | NONE | a c d e f g | | OPEN | OPEN | NONE | NONE |
| 93050-2004 | 93049-0007 | NONE | b c f h | | OPEN | OPEN | NONE | NONE |
| 93050-2005 | 93049-0007 | NONE | b c d e f | | OPEN | OPEN | NONE | NONE |
| 93050-2006 | 93049-0007 | CCT 3 | a c e f h | | OPEN | OPEN | NONE | YELLOW |
| 93050-2007 | 93049-0007 | NONE | a c d e f h | | OPEN | OPEN | NONE | NONE |
| 93050-2008 | 93049-0007 | CCT 2,4,6,7 | b e | | OPEN | OPEN | NONE | BLUE |
| 93050-2009 | 93049-0607 | NONE | NONE | | OPEN | OPEN | BETWEEN CCT 6&7 | NONE |
| 93050-2010 | 93049-0007 | CCT 2,3 | b c f h | | OPEN | OPEN | NONE | NONE |
| 93050-2011 | 93049-0007 | NONE | a d | | OPEN | OPEN | NONE | NONE |
| 93050-2012 | 93049-0007 | NONE | a b e f | | OPEN | OPEN | NONE | NONE |
| 93050-2013 | 93049-0007 | NONE | b c d f | | OPEN | OPEN | NONE | NONE |
| 93050-2015 | 93049-0107 | NONE | a h | | OPEN | OPEN | BETWEEN CCT 1&2 | NONE |
| 93050-2016 | 93049-0007 | NONE | a d e f h | | OPEN | OPEN | NONE | NONE |
| 93050-2017 | 93049-0007 | NONE | b d e f h | | OPEN | OPEN | NONE | NONE |
| 93050-2018 | 93049-0007 | NONE | a b | | OPEN | OPEN | NONE | NONE |
| 93050-2019 | 93049-0007 | NONE | c d e f g h | | OPEN | OPEN | NONE | NONE |
| 93050-2020 | 93049-0227 | NONE | NONE | | CLOSED | CLOSED | BETWEEN CCT 2&3 | NONE |
| 93050-2022 | 93049-0007 | CCT 2,3,4,6 | NONE | | OPEN | OPEN | NONE | NONE |
| 93050-2023 | 93049-0027 | NONE | NONE | | CLOSED | CLOSED | NONE | NONE |
| 93050-2024 | 93049-0207 | NONE | NONE | | OPEN | OPEN | BETWEEN CCT 2&3 | BLUE |
| 93050-2025 | 93049-0207 | CCT 1,2 | NONE | | OPEN | OPEN | BETWEEN CCT 2&3 | BLUE |
| 93050-2026 | 93049-0007 | CCT 2,4,6 | NONE | | OPEN | OPEN | NONE | NONE |

7CCT CONTINUED ON NEXT SHEET

NOTES

- + DENOTES TERMINAL VOIDED POSITION
⊕ DENOTES TERMINAL LOADED POSITION
| DENOTES POLARIZING RIB POSITION
- MOLEX HOUSING NO. FOR REFERENCE ONLY

| | | | | | | | | | |
|---|--|------------------------|--|-------------------|--|----------------|--|--|--|
| THIS DRAWING CONTAINS INFORMATION THAT IS PROPRIETARY TO MOLEX ELECTRONIC TECHNOLOGIES, LLC AND SHOULD NOT BE USED WITHOUT WRITTEN PERMISSION | | | | | | | | | |
| DIMENSION UNITS | | SCALE | | CURRENT REV DESC: | | | | molex | |
| mm | | 1:1 | | | | | | | |
| GENERAL TOLERANCES (UNLESS SPECIFIED) | | | | EC NO: 675456 | | | | APPLI-MATE 2.5 FEMALE G.W.T. 750 VERSION | |
| ANGULAR TOL ± 0.5° | | | | DRWN: MBN02 | | | | 2021/08/24 | |
| 4 PLACES ± | | | | CHK'D: MBN02 | | | | 2021/08/26 | |
| 3 PLACES ± 0.05 | | | | APPR: SDEVITT | | | | 2021/09/28 | |
| 2 PLACES ± 0.1 | | | | INITIAL REVISION: | | | | PRODUCT CUSTOMER DRAWING | |
| 1 PLACE ± 0.2 | | | | DRWN: CFISHER01 | | | | DOCUMENT NUMBER | |
| 0 PLACES ± | | | | APPR: MSHANAHAN | | | | 930500001 | |
| DRAFT WHERE APPLICABLE MUST REMAIN WITHIN DIMENSIONS | | THIRD ANGLE PROJECTION | | DRAWING | | SERIES | | MATERIAL NUMBER | |
| | | | | A2-SIZE | | 93050 | | SEE TABLE | |
| | | | | | | CUSTOMER | | SHEET NUMBER | |
| | | | | | | GENERAL MARKET | | 12 OF 17 | |

7 CIRCUIT

| PART NUMBER | HOUSING USED | TERMINAL VOID POSITION | REMOVED POSITION KEYS | CONFIGURATION | FIRST ENDWALL | LAST ENDWALL | POLARIZING RIB BETWEEN | COLOUR STRIPE |
|-------------|--------------|------------------------|-----------------------|---------------|---------------|--------------|------------------------|---------------|
| 93050-2027 | 93049-0007 | CCT 2,4 | NONE | | OPEN | OPEN | NONE | GREEN |
| 93050-2028 | 93049-0007 | CCT 4,7 | NONE | | OPEN | OPEN | NONE | BLUE |
| 93050-2029 | 93049-0007 | NONE | b c e f | | OPEN | OPEN | NONE | NONE |
| 93050-2030 | 93049-0007 | NONE | b e | | OPEN | OPEN | NONE | NONE |
| 93050-2031 | 93049-0007 | CCT 5,6,7 | b e | | OPEN | OPEN | NONE | NONE |
| 93050-2032 | 93049-0007 | CCT 5,6,7 | NONE | | OPEN | OPEN | NONE | NONE |
| 93050-2033 | 93049-0007 | NONE | a b d e g h | | OPEN | OPEN | NONE | NONE |
| 93050-2034 | 93049-0007 | NONE | b c d e f g | | OPEN | OPEN | NONE | NONE |
| 93050-2035 | 93049-0007 | NONE | a c f h | | OPEN | OPEN | NONE | NONE |
| 93050-2036 | 93049-0007 | CCT 1,2,3,4,6 | a c f | | OPEN | OPEN | NONE | NONE |
| 93050-2037 | 93049-0067 | NONE | NONE | | CLOSED | OPEN | NONE | NONE |
| 93050-2038 | 93049-0627 | NONE | NONE | | CLOSED | CLOSED | BETWEEN CCT 6&7 | NONE |
| 93050-2039 | 93049-0007 | NONE | NONE | | OPEN | OPEN | NONE | BLUE |
| 93050-2040 | 93049-0207 | NONE | NONE | | OPEN | OPEN | BETWEEN CCT 2&3 | NONE |
| 93050-2041 | 93049-0007 | CCT 2,6 | a h | | OPEN | OPEN | NONE | NONE |
| 93050-2042 | 93049-0007 | CCT 2,6 | a h | | OPEN | OPEN | NONE | BLACK |
| 93050-2043 | 93049-0007 | CCT 1, 2, 3, 4 | b c d e f g | | OPEN | OPEN | NONE | NONE |
| 93050-2044 | 93049-0007 | CCT 6 | NONE | | OPEN | OPEN | NONE | NONE |
| 93050-2045 | 93049-0007 | NONE | a | | OPEN | OPEN | NONE | NONE |
| 93050-2046 | 93049-0007 | NONE | a c e f h | | OPEN | OPEN | NONE | NONE |
| 93050-2047 | 93049-0007 | NONE | a b d f g h | | OPEN | OPEN | NONE | NONE |
| 93050-2048 | 93049-0207 | CCT 4,6 | NONE | | OPEN | OPEN | BETWEEN CCT 2&3 | RED |
| 93050-2049 | 93049-0007 | CCT 2,4 | NONE | | OPEN | OPEN | NONE | NONE |
| 93050-2050 | 93049-0007 | CCT 4,6 | NONE | | OPEN | OPEN | NONE | NONE |
| 93050-2051 | 93049-0207 | CCT 4,6 | NONE | | OPEN | OPEN | BETWEEN CCT 2&3 | NONE |

NOTES

- + DENOTES TERMINAL VOIDED POSITION
 ⊕ DENOTES TERMINAL LOADED POSITION
 | DENOTES POLARIZING RIB POSITION
- MOLEX HOUSING NO. FOR REFERENCE ONLY

THIS DRAWING CONTAINS INFORMATION THAT IS PROPRIETARY TO MOLEX ELECTRONIC TECHNOLOGIES, LLC AND SHOULD NOT BE USED WITHOUT WRITTEN PERMISSION

| | | | | | | |
|--|------------------------|-------------------|--|--------------------------|----------------|--------------|
| DIMENSION UNITS | SCALE | CURRENT REV DESC: | molex | | | |
| mm | 1:1 | | | | | |
| GENERAL TOLERANCES (UNLESS SPECIFIED) | | | APPLI-MATE 2.5 FEMALE G.W.T. 750 VERSION | | | |
| ANGULAR TOL | ± 0.5° | EC NO: 675456 | | | | |
| 4 PLACES | ± | DRWN: MBN02 | 2021/08/24 | | | |
| 3 PLACES | ± 0.05 | CHK'D: MBN02 | 2021/08/26 | | | |
| 2 PLACES | ± 0.1 | APPR: SDEVITT | 2021/09/28 | PRODUCT CUSTOMER DRAWING | | |
| 1 PLACE | ± 0.2 | INITIAL REVISION: | DOCUMENT NUMBER | | | |
| 0 PLACES | ± | DRWN: CFISHER01 | 2015/11/24 | 930500001 | | |
| | | APPR: MSHANAHAN | 2016/01/20 | PSD | 000 | V1 |
| DRAFT WHERE APPLICABLE MUST REMAIN WITHIN DIMENSIONS | THIRD ANGLE PROJECTION | DRAWING | SERIES | MATERIAL NUMBER | CUSTOMER | SHEET NUMBER |
| | | A2-SIZE | 93050 | SEE TABLE | GENERAL MARKET | 13 OF 17 |

| | | | | |
|-----------------|----|--------------|------------|----------|
| DOCUMENT STATUS | P1 | RELEASE DATE | 2021/09/28 | 05:26:21 |
|-----------------|----|--------------|------------|----------|

8 CIRCUIT

| PART NUMBER | HOUSING USED | TERMINAL VOID POSITION | REMOVED POSITION KEYS | CONFIGURATION | FIRST ENDWALL | LAST ENDWALL | POLARIZING RIB BETWEEN | COLOUR STRIPE |
|-------------|--------------|------------------------|-----------------------|---------------|---------------|--------------|------------------------|---------------|
| 93050-2501 | 93049-0008 | NONE | NONE | | OPEN | OPEN | NONE | NONE |
| 93050-2502 | 93049-0008 | CCT 2,5,7 | b c d f g h i | | OPEN | OPEN | NONE | NONE |
| 93050-2503 | 93049-0008 | NONE | c f h i | | OPEN | OPEN | NONE | NONE |
| 93050-2504 | 93049-0608 | NONE | NONE | | OPEN | OPEN | BETWEEN CCT 6&7 | BLUE |
| 93050-2505 | 93049-0708 | NONE | NONE | | OPEN | OPEN | BETWEEN CCT 7&8 | BLUE |
| 93050-2506 | 93049-0008 | NONE | b c d g h i | | OPEN | OPEN | NONE | NONE |
| 93050-2508 | 93049-0608 | NONE | NONE | | OPEN | OPEN | BETWEEN CCT 6&7 | NONE |
| 93050-2509 | 93049-0008 | CCT 1,2,5 | a b d f h i | | OPEN | OPEN | NONE | NONE |
| 93050-2751 | 93049-0048 | NONE | NONE | | OPEN | CLOSED | NONE | NONE |
| 93050-2752 | 93049-0008 | CCT 1,2,7,8 | a b d f h i | | OPEN | OPEN | NONE | BLACK |
| 93050-2753 | 93049-1308 | NONE | NONE | | OPEN | OPEN | BETWEEN CCT 1&2-7&8 | NONE |
| 93050-2754 | 93049-0568 | NONE | NONE | | CLOSED | OPEN | BETWEEN CCT 5&6 | NONE |
| 93050-2510 | 93049-0008 | NONE | a b c d g h | | OPEN | OPEN | NONE | NONE |
| 93050-2511 | 93049-0008 | NONE | a c d e g h i | | OPEN | OPEN | NONE | NONE |
| 93050-2512 | 93049-0728 | NONE | NONE | | CLOSED | CLOSED | BETWEEN CCT 7&8 | NONE |
| 93050-2513 | 93049-0008 | NONE | b c d h i | | OPEN | OPEN | NONE | NONE |
| 93050-2516 | 93049-0008 | CCT 2,4 | NONE | | OPEN | OPEN | NONE | NONE |
| 93050-2517 | 93049-0008 | 5, 7 | NONE | | OPEN | OPEN | NONE | NONE |
| 93050-2518 | 93049-0008 | CCT 2 | NONE | | OPEN | OPEN | NONE | NONE |
| 93050-2519 | 93049-0068 | 5, 7 | NONE | | CLOSED | OPEN | NONE | NONE |
| 93050-2520 | 93049-0208 | CCT 2,4 | NONE | | OPEN | OPEN | BETWEEN CCT 2&3 | RED |
| 93050-2521 | 93049-0308 | NONE | NONE | | OPEN | OPEN | BETWEEN CCT 3&4 | NONE |
| 93050-2522 | 93049-0008 | NONE | c h i | | OPEN | OPEN | NONE | NONE |
| 93050-2523 | 93049-0088 | 5, 7 | NONE | | NARROW | OPEN | NONE | NONE |
| 93050-2524 | 93049-0328 | NONE | NONE | | CLOSED | CLOSED | BETWEEN CCT 3&4 | NONE |
| 93050-2525 | 93049-0008 | NONE | a b c g h i | | OPEN | OPEN | NONE | NONE |
| 93050-2526 | 93049-0208 | CCT 2,5 | NONE | | OPEN | OPEN | BETWEEN CCT 2&3 | BLUE |
| 93050-2527 | 93049-0008 | CCT 3,4,5 | NONE | | OPEN | OPEN | NONE | NONE |

8 CIRCUIT

| PART NUMBER | HOUSING USED | TERMINAL VOID POSITION | REMOVED POSITION KEYS | CONFIGURATION | FIRST ENDWALL | LAST ENDWALL | POLARIZING RIB BETWEEN | COLOUR STRIPE |
|-------------|--------------|------------------------|-----------------------|---------------|---------------|--------------|------------------------|---------------|
| 93050-2528 | 93049-0008 | CCT 4,5,6 | NONE | | OPEN | OPEN | NONE | NONE |
| 93050-2529 | 93049-0008 | CCT 2,6 | NONE | | OPEN | OPEN | NONE | NONE |
| 93050-2530 | 93049-0008 | NONE | a e f g h i | | OPEN | OPEN | NONE | NONE |
| 93050-2531 | 93049-0628 | NONE | NONE | | CLOSED | CLOSED | BETWEEN CCT 6&7 | NONE |
| 93050-2532 | 93049-0008 | NONE | b c d e f g h | | OPEN | OPEN | NONE | NONE |
| 93050-2533 | 93049-0068 | NONE | NONE | | CLOSED | CLOSED | NONE | NONE |

NOTES

- + DENOTES TERMINAL VOIDED POSITION
⊕ DENOTES TERMINAL LOADED POSITION
| DENOTES POLARIZING RIB POSITION
- MOLEX HOUSING NO. FOR REFERENCE ONLY

| | | | | | | | | | | | | | |
|---|--|--------|------------------------|--|-----------------|------------|----------------|--------------------------------|--------------|---------------|--|------------|--|
| THIS DRAWING CONTAINS INFORMATION THAT IS PROPRIETARY TO MOLEX ELECTRONIC TECHNOLOGIES, LLC AND SHOULD NOT BE USED WITHOUT WRITTEN PERMISSION | | | | | | | | | | | | | |
| DIMENSION UNITS | | SCALE | | CURRENT REV DESC: | | | | | | | | | |
| mm | | 1:1 | | APPLI-MATE 2.5 FEMALE G.W.T. 750 VERSION PRODUCT CUSTOMER DRAWING | | | | | | | | | |
| GENERAL TOLERANCES (UNLESS SPECIFIED) | | | | | | | | | | EC NO: 675456 | | 2021/08/24 | |
| ANGULAR TOL | | ± 0.5° | | | | | | | | DRWN: MBN02 | | 2021/08/26 | |
| 4 PLACES | | ± | | | | | | | | CHK'D: MBN02 | | 2021/09/28 | |
| 3 PLACES | | ± 0.05 | | APPR: SDEVITT | | 2021/09/28 | | DOCUMENT NUMBER | | | | | |
| 2 PLACES | | ± 0.1 | | INITIAL REVISION: | | 2015/11/24 | | 930500001 | | | | | |
| 1 PLACE | | ± 0.2 | | DRWN: CFISHER01 | | 2016/01/20 | | PSD 000 V1 | | | | | |
| 0 PLACES | | ± | | APPR: MSHANAHAN | | | | DOC TYPE DOC PART REVISION | | | | | |
| DRAFT WHERE APPLICABLE MUST REMAIN WITHIN DIMENSIONS | | | THIRD ANGLE PROJECTION | | DRAWING | | SERIES | | SHEET NUMBER | | | | |
| | | | | | A2-SIZE | | 93050 | | 14 OF 17 | | | | |
| | | | | | MATERIAL NUMBER | | CUSTOMER | | | | | | |
| | | | | | SEE TABLE | | GENERAL MARKET | | | | | | |

| | | | | |
|-----------------|----|--------------|------------|----------|
| DOCUMENT STATUS | P1 | RELEASE DATE | 2021/09/28 | 05:26:21 |
|-----------------|----|--------------|------------|----------|

| 9 CIRCUIT | | | | | | | | |
|-------------|--------------|------------------------|-----------------------|--|---------------|--------------|------------------------|---------------|
| PART NUMBER | HOUSING USED | TERMINAL VOID POSITION | REMOVED POSITION KEYS | CONFIGURATION | FIRST ENDWALL | LAST ENDWALL | POLARIZING RIB BETWEEN | COLOUR STRIPE |
| 93050-3001 | 93049-0009 | NONE | NONE | □□□□□□□□□□ ⊕⊕⊕⊕⊕⊕⊕⊕⊕⊕ 1 2 3 4 5 6 7 8 9 | OPEN | OPEN | NONE | NONE |
| 93050-3002 | 93049-0009 | CCT 3, 5, 8 | b c d e f g h i | □ b c d e f g h i □ ⊕⊕⊕⊕⊕⊕⊕⊕⊕⊕ 1 2 3 4 5 6 7 8 9 | OPEN | OPEN | NONE | NONE |
| 93050-3003 | 93049-0809 | NONE | NONE | □□□□□□□□□□ ⊕⊕⊕⊕⊕⊕⊕⊕⊕⊕ 1 2 3 4 5 6 7 8 9 | OPEN | OPEN | BETWEEN CCT 8&9 | NONE |
| 93050-3004 | 93049-0409 | NONE | NONE | □□□□□□□□□□ ⊕⊕⊕⊕⊕⊕⊕⊕⊕⊕ 1 2 3 4 5 6 7 8 9 | OPEN | OPEN | BETWEEN CCT 4&5 | NONE |
| 93050-3005 | 93049-0009 | CCT 2, 5, 8 | b c h i | □ b c □□□□ h i □ ⊕⊕⊕⊕⊕⊕⊕⊕⊕⊕ 1 2 3 4 5 6 7 8 9 | OPEN | OPEN | NONE | NONE |
| 93050-3006 | 93049-0009 | NONE | b c h i | □ b c □□□□ h i □ ⊕⊕⊕⊕⊕⊕⊕⊕⊕⊕ 1 2 3 4 5 6 7 8 9 | OPEN | OPEN | NONE | NONE |
| 93050-3007 | 93049-0009 | CCT 3, 5, 8 | NONE | □□□□□□□□□□ ⊕⊕⊕⊕⊕⊕⊕⊕⊕⊕ 1 2 3 4 5 6 7 8 9 | OPEN | OPEN | NONE | BLUE |
| 93050-3008 | 93049-0829 | NONE | NONE | □□□□□□□□□□ ⊕⊕⊕⊕⊕⊕⊕⊕⊕⊕ 1 2 3 4 5 6 7 8 9 | CLOSED | CLOSED | BETWEEN CCT 8&9 | NONE |
| 93050-3010 | 93049-0009 | CCT 3,5,7,8,9 | NONE | □□□□□□□□□□ ⊕⊕⊕⊕⊕⊕⊕⊕⊕⊕ 1 2 3 4 5 6 7 8 9 | OPEN | OPEN | NONE | NONE |
| 93050-3011 | 93049-0309 | NONE | NONE | □□□□□□□□□□ ⊕⊕⊕⊕⊕⊕⊕⊕⊕⊕ 1 2 3 4 5 6 7 8 9 | OPEN | OPEN | BETWEEN CCT 3&4 | NONE |
| 93050-3012 | 93049-0209 | NONE | NONE | □□□□□□□□□□ ⊕⊕⊕⊕⊕⊕⊕⊕⊕⊕ 1 2 3 4 5 6 7 8 9 | OPEN | OPEN | BETWEEN CCT 2&3 | NONE |
| 93050-3013 | 93049-0509 | NONE | NONE | □□□□□□□□□□ ⊕⊕⊕⊕⊕⊕⊕⊕⊕⊕ 1 2 3 4 5 6 7 8 9 | OPEN | OPEN | BETWEEN CCT 5&6 | NONE |
| 93050-3014 | 93049-0009 | CCT 2, 5, 8 | NONE | □□□□□□□□□□ ⊕⊕⊕⊕⊕⊕⊕⊕⊕⊕ 1 2 3 4 5 6 7 8 9 | OPEN | OPEN | NONE | NONE |
| 93050-3015 | 93049-0009 | NONE | a b c d e f g h j | □ a b c d e f g h j □ ⊕⊕⊕⊕⊕⊕⊕⊕⊕⊕ 1 2 3 4 5 6 7 8 9 | OPEN | OPEN | NONE | NONE |
| 93050-3016 | 93049-0009 | CKT 1,5 | a d f g i | □ a □ d □ f g □ i □ ⊕⊕⊕⊕⊕⊕⊕⊕⊕⊕ 1 2 3 4 5 6 7 8 9 | OPEN | OPEN | NONE | RED |
| 93050-3017 | 93049-0009 | CKT 1,5 | NONE | □□□□□□□□□□ ⊕⊕⊕⊕⊕⊕⊕⊕⊕⊕ 1 2 3 4 5 6 7 8 9 | OPEN | OPEN | NONE | RED |
| 93050-3018 | 93049-0009 | CCT 2,4 | a d f g i | □ a □ d □ f g □ i □ ⊕⊕⊕⊕⊕⊕⊕⊕⊕⊕ 1 2 3 4 5 6 7 8 9 | OPEN | OPEN | NONE | RED |
| 93050-3019 | 93049-0009 | CCT 2,4 | NONE | □□□□□□□□□□ ⊕⊕⊕⊕⊕⊕⊕⊕⊕⊕ 1 2 3 4 5 6 7 8 9 | OPEN | OPEN | NONE | RED |
| 93050-3020 | 93049-0009 | CKT 1,5 | a d f g i | □ a □ d □ f g □ i □ ⊕⊕⊕⊕⊕⊕⊕⊕⊕⊕ 1 2 3 4 5 6 7 8 9 | OPEN | OPEN | NONE | GREEN |
| 93050-3021 | 93049-0009 | CKT 1,5 | NONE | □□□□□□□□□□ ⊕⊕⊕⊕⊕⊕⊕⊕⊕⊕ 1 2 3 4 5 6 7 8 9 | OPEN | OPEN | NONE | GREEN |
| 93050-3022 | 93049-0009 | CKT 1,5 | a c d f h j | □ a □ c d □ f h □ j □ ⊕⊕⊕⊕⊕⊕⊕⊕⊕⊕ 1 2 3 4 5 6 7 8 9 | OPEN | OPEN | NONE | GREEN |
| 93050-3023 | 93049-0009 | CKT 1,5 | a c d f h j | □ a □ c d □ f h □ j □ ⊕⊕⊕⊕⊕⊕⊕⊕⊕⊕ 1 2 3 4 5 6 7 8 9 | OPEN | OPEN | NONE | RED |
| 93050-3024 | 93049-0009 | CKT 3,5,8 | c d e i j | □ c d e □□□□ i j □ ⊕⊕⊕⊕⊕⊕⊕⊕⊕⊕ 1 2 3 4 5 6 7 8 9 | OPEN | OPEN | NONE | BLUE |
| 93050-3025 | 93049-0009 | CKT 2,4 | a c d f h j | □ a □ c d □ f h □ j □ ⊕⊕⊕⊕⊕⊕⊕⊕⊕⊕ 1 2 3 4 5 6 7 8 9 | OPEN | OPEN | NONE | RED |
| 93050-3026 | 93049-0069 | NONE | NONE | □□□□□□□□□□ ⊕⊕⊕⊕⊕⊕⊕⊕⊕⊕ 1 2 3 4 5 6 7 8 9 | CLOSED | OPEN | NONE | NONE |

+

| 10 CIRCUIT | | | | | | | | |
|-------------|--------------|------------------------|-----------------------|---|---------------|--------------|------------------------|---------------|
| PART NUMBER | HOUSING USED | TERMINAL VOID POSITION | REMOVED POSITION KEYS | CONFIGURATION | FIRST ENDWALL | LAST ENDWALL | POLARIZING RIB BETWEEN | COLOUR STRIPE |
| 93050-3501 | 93049-0010 | NONE | NONE | □□□□□□□□□□ ⊕⊕⊕⊕⊕⊕⊕⊕⊕⊕ 1 2 3 4 5 6 7 8 9 10 | OPEN | OPEN | NONE | NONE |
| 93050-3502 | 93049-0110 | NONE | NONE | □□□□□□□□□□ ⊕⊕⊕⊕⊕⊕⊕⊕⊕⊕ 1 2 3 4 5 6 7 8 9 10 | OPEN | OPEN | BETWEEN CCT 1&2 | NONE |
| 93050-3503 | 93049-0010 | CCT 2, 9 | NONE | □□□□□□□□□□ ⊕⊕⊕⊕⊕⊕⊕⊕⊕⊕ 1 2 3 4 5 6 7 8 9 10 | OPEN | OPEN | NONE | BLUE |
| 93050-3504 | 93049-0010 | CCT 2, 5, 7, 9 | NONE | □□□□□□□□□□ ⊕⊕⊕⊕⊕⊕⊕⊕⊕⊕ 1 2 3 4 5 6 7 8 9 10 | OPEN | OPEN | NONE | NONE |
| 93050-3505 | 93049-0010 | CCT 2, 4, 6, 9 | NONE | □□□□□□□□□□ ⊕⊕⊕⊕⊕⊕⊕⊕⊕⊕ 1 2 3 4 5 6 7 8 9 10 | OPEN | OPEN | NONE | NONE |
| 93050-3506 | 93049-0930 | NONE | NONE | □□□□□□□□□□ ⊕⊕⊕⊕⊕⊕⊕⊕⊕⊕ 1 2 3 4 5 6 7 8 9 10 | CLOSED | CLOSED | BETWEEN CCT 9&10 | NONE |
| 93050-3507 | 93049-0030 | NONE | NONE | □□□□□□□□□□ ⊕⊕⊕⊕⊕⊕⊕⊕⊕⊕ 1 2 3 4 5 6 7 8 9 10 | CLOSED | CLOSED | NONE | NONE |
| 93050-3508 | 93049-0010 | CCT 2,5,7,9 | b c d e f g h i j | □ b c d e f g h i j □ ⊕⊕⊕⊕⊕⊕⊕⊕⊕⊕ 1 2 3 4 5 6 7 8 9 10 | OPEN | OPEN | NONE | BLUE |
| 93050-3509 | 93049-0010 | CCT 2,4,6,9 | c d e f g h i | □ c d e f g h i □□ ⊕⊕⊕⊕⊕⊕⊕⊕⊕⊕ 1 2 3 4 5 6 7 8 9 10 | OPEN | OPEN | NONE | BLUE |
| 93050-3510 | 93049-0010 | CCT 2,6,9 | NONE | □□□□□□□□□□ ⊕⊕⊕⊕⊕⊕⊕⊕⊕⊕ 1 2 3 4 5 6 7 8 9 10 | OPEN | OPEN | NONE | NONE |
| 93050-3511 | 93049-0010 | CCT 2, 5, 7, 9 | NONE | □□□□□□□□□□ ⊕⊕⊕⊕⊕⊕⊕⊕⊕⊕ 1 2 3 4 5 6 7 8 9 10 | OPEN | OPEN | NONE | BLUE |
| 93050-3512 | 93049-0010 | CCT 2,4,6,9 | NONE | □□□□□□□□□□ ⊕⊕⊕⊕⊕⊕⊕⊕⊕⊕ 1 2 3 4 5 6 7 8 9 10 | OPEN | OPEN | NONE | BLUE |
| 93050-3513 | 93049-0710 | NONE | NONE | □□□□□□□□□□ ⊕⊕⊕⊕⊕⊕⊕⊕⊕⊕ 1 2 3 4 5 6 7 8 9 10 | OPEN | OPEN | BETWEEN CCT 7&8 | NONE |
| 93050-3514 | 93049-0010 | NONE | NONE | □□□□□□□□□□ ⊕⊕⊕⊕⊕⊕⊕⊕⊕⊕ 1 2 3 4 5 6 7 8 9 10 | OPEN | OPEN | NONE | BLUE |
| 93050-3515 | 93049-0910 | CCT 2, 4, 6, 9 | d e f g h | □ d e f g h □□□□ ⊕⊕⊕⊕⊕⊕⊕⊕⊕⊕ 1 2 3 4 5 6 7 8 9 10 | OPEN | OPEN | BETWEEN CCT 9&10 | NONE |
| 93050-3516 | 93049-0010 | NONE | b c d e f g h i j | □ b c d e f g h i j □ ⊕⊕⊕⊕⊕⊕⊕⊕⊕⊕ 1 2 3 4 5 6 7 8 9 10 | OPEN | OPEN | NONE | NONE |
| 93050-3517 | 93049-0230 | NONE | NONE | □□□□□□□□□□ ⊕⊕⊕⊕⊕⊕⊕⊕⊕⊕ 1 2 3 4 5 6 7 8 9 10 | CLOSED | CLOSED | BETWEEN CCT 2&3 | NONE |
| 93050-3518 | 93049-0130 | NONE | NONE | □□□□□□□□□□ ⊕⊕⊕⊕⊕⊕⊕⊕⊕⊕ 1 2 3 4 5 6 7 8 9 10 | CLOSED | CLOSED | BETWEEN CCT 1&2 | NONE |
| 93050-3519 | 93049-0330 | NONE | NONE | □□□□□□□□□□ ⊕⊕⊕⊕⊕⊕⊕⊕⊕⊕ 1 2 3 4 5 6 7 8 9 10 | CLOSED | CLOSED | BETWEEN CCT 3&4 | NONE |
| 93050-3520 | 93049-0410 | NONE | NONE | □□□□□□□□□□ ⊕⊕⊕⊕⊕⊕⊕⊕⊕⊕ 1 2 3 4 5 6 7 8 9 10 | OPEN | OPEN | BETWEEN CCT 4&5 | NONE |
| 93050-3521 | 93049-0210 | NONE | a b d f h i j k | □ a b □ d □ f h i j k □ ⊕⊕⊕⊕⊕⊕⊕⊕⊕⊕ 1 2 3 4 5 6 7 8 9 10 | OPEN | OPEN | BETWEEN CCT 2&3 | NONE |
| 93050-3522 | 93049-0010 | CCT 2, 3, 5, 7, 9 | NONE | □□□□□□□□□□ ⊕⊕⊕⊕⊕⊕⊕⊕⊕⊕ 1 2 3 4 5 6 7 8 9 10 | OPEN | OPEN | NONE | NONE |

NOTES

- + DENOTES TERMINAL VOIDED POSITION
⊕ DENOTES TERMINAL LOADED POSITION
| DENOTES POLARIZING RIB POSITION
- MOLEX HOUSING NO. FOR REFERENCE ONLY

| | | | | | | | | | | | |
|---|--|--|--|-------------------|--|-----------------|--|--------------------------|--|--|--|
| THIS DRAWING CONTAINS INFORMATION THAT IS PROPRIETARY TO MOLEX ELECTRONIC TECHNOLOGIES, LLC AND SHOULD NOT BE USED WITHOUT WRITTEN PERMISSION | | | | | | | | | | | |
| DIMENSION UNITS mm | | SCALE 1:1 | | CURRENT REV DESC: | | | | molex | | APPLI-MATE 2.5 FEMALE G.W.T. 750 VERSION | |
| GENERAL TOLERANCES (UNLESS SPECIFIED) | | ANGULAR TOL ± 0.5° | | EC NO: 675456 | | | | | | | |
| 4 PLACES ± | | 3 PLACES ± 0.05 | | DRWN: MBN02 | | 2021/08/24 | | PRODUCT CUSTOMER DRAWING | | DOCUMENT NUMBER 930500001 | |
| 2 PLACES ± 0.1 | | 1 PLACE ± 0.2 | | CHK'D: MBN02 | | 2021/08/26 | | | | | |
| 0 PLACES ± | | DRAFT WHERE APPLICABLE MUST REMAIN WITHIN DIMENSIONS | | APPR: SDEVITT | | 2021/09/28 | | INITIAL REVISION: | | DOC TYPE DOC PART REVISION | |
| THIRD ANGLE PROJECTION | | DRAWING | | SERIES | | MATERIAL NUMBER | | CUSTOMER | | SHEET NUMBER | |
| A2-SIZE | | 93050 | | SEE TABLE | | GENERAL MARKET | | 15 OF 17 | | | |

| 11 CIRCUIT | | | | | | | | |
|-------------|--------------|------------------------------|-----------------------|---------------|---------------|--------------|------------------------|---------------|
| PART NUMBER | HOUSING USED | TERMINAL VOID POSITION | REMOVED POSITION KEYS | CONFIGURATION | FIRST ENDWALL | LAST ENDWALL | POLARIZING RIB BETWEEN | COLOUR STRIPE |
| 93050-4001 | 93049-0011 | NONE | NONE | | OPEN | OPEN | NONE | NONE |
| 93050-4002 | 93049-0911 | NONE | bcdefghijk | | OPEN | OPEN | BETWEEN CCT 9&10 | BLUE |
| 93050-4003 | 93049-0011 | NONE | bcdghijk | | OPEN | OPEN | NONE | NONE |
| 93050-4004 | 93049-0011 | CCT 4, 6, 8, 10 | NONE | | OPEN | OPEN | NONE | NONE |
| 93050-4005 | 93049-0011 | CCT 4,6,8,10 | bcdefghijk | | OPEN | OPEN | NONE | NONE |
| 93050-4006 | 93049-0011 | CCT 4, 6, 8, 10 | NONE | | OPEN | OPEN | NONE | ORANGE |
| 93050-4007 | 93049-0911 | NONE | NONE | | OPEN | OPEN | BETWEEN CCT 9&10 | NONE |
| 93050-4008 | 93049-0031 | NONE | NONE | | CLOSED | CLOSED | NONE | NONE |
| 93050-4009 | 93049-0511 | NONE | NONE | | OPEN | OPEN | BETWEEN CCT 5&6 | NONE |
| 93050-4010 | 93049-0211 | CCT 2, 4, 6 | NONE | | OPEN | OPEN | BETWEEN CCT 2&3 | NONE |
| 93050-4011 | 93049-0011 | CCT 2, 4, 6, 7, 8, 10 | cefgikl | | OPEN | OPEN | NONE | BLACK |
| 93050-4012 | 93049-0011 | CCT 2, 4, 6, 7, 8, 10 | NONE | | OPEN | OPEN | NONE | BLACK |
| 93050-4013 | 93049-0011 | CCT 2, 4, 6, 9 | NONE | | OPEN | OPEN | NONE | BLUE |
| 93050-4014 | 93049-0011 | CCT 4, 5, 6, 8, 10 | NONE | | OPEN | OPEN | NONE | NONE |
| 93050-4015 | 93049-0011 | CCT 4, 5, 6, 7, 8, 9, 10, 11 | bcdefghijk | | OPEN | OPEN | NONE | NONE |
| 93050-4016 | 93049-0011 | Cct 2, 4, 6, 7, 8, 10 | bdefhj | | OPEN | OPEN | NONE | BLACK |
| 93050-4017 | 93049-0211 | NONE | NONE | | OPEN | OPEN | BETWEEN CCT 2&3 | NONE |

| 12 CIRCUIT | | | | | | | | | | | | | |
|-------------|--------------|------------------------|-----------------------|---------------|---------------|--------------|------------------------|---------------|--|--|--|--|--|
| PART NUMBER | HOUSING USED | TERMINAL VOID POSITION | REMOVED POSITION KEYS | CONFIGURATION | FIRST ENDWALL | LAST ENDWALL | POLARIZING RIB BETWEEN | COLOUR STRIPE | | | | | |
| 93050-4501 | 93049-0012 | NONE | NONE | | OPEN | OPEN | NONE | NONE | | | | | |
| 93050-4502 | 93049-0072 | NONE | bcd fhikl | | CLOSED | OPEN | NONE | NONE | | | | | |
| 93050-4503 | 93049-0032 | NONE | NONE | | CLOSED | CLOSED | NONE | NONE | | | | | |
| 93050-4504 | 93049-0072 | NONE | NONE | | CLOSED | OPEN | NONE | NONE | | | | | |
| 93050-4506 | 93049-0092 | NONE | NONE | | NARROW | OPEN | NONE | NONE | | | | | |
| 93050-4507 | 93049-0012 | NONE | adfgikm | | OPEN | OPEN | NONE | RED | | | | | |
| 93050-4508 | 93049-0012 | NONE | NONE | | OPEN | OPEN | NONE | RED | | | | | |
| 93050-4509 | 93049-0012 | CCT 1, 2 | adfgikm | | OPEN | OPEN | NONE | GREEN | | | | | |
| 93050-4510 | 93049-0132 | NONE | NONE | | CLOSED | CLOSED | BETWEEN CCT 1&2 | NONE | | | | | |

| 13 CIRCUIT | | | | | | | | |
|-------------|--------------|------------------------|-----------------------|---------------|---------------|--------------|------------------------|---------------|
| PART NUMBER | HOUSING USED | TERMINAL VOID POSITION | REMOVED POSITION KEYS | CONFIGURATION | FIRST ENDWALL | LAST ENDWALL | POLARIZING RIB BETWEEN | COLOUR STRIPE |
| 93050-5001 | 93049-0013 | NONE | NONE | | OPEN | OPEN | NONE | NONE |
| 93050-5002 | 93049-0213 | CCT 2,5,7,12 | an | | OPEN | OPEN | BETWEEN CCT 2&3 | NONE |
| 93050-5003 | 93049-0053 | NONE | NONE | | OPEN | CLOSED | NONE | NONE |
| 93050-5004 | 93049-0013 | CCT 4,6,8,10,12 | NONE | | OPEN | OPEN | NONE | NONE |
| 93050-5005 | 93049-0033 | NONE | NONE | | CLOSED | CLOSED | NONE | NONE |
| 93050-5006 | 93049-0013 | CCT 9,10,11 | NONE | | OPEN | OPEN | NONE | NONE |
| 93050-5007 | 93049-0213 | NONE | NONE | | OPEN | OPEN | BETWEEN CCT 2&3 | NONE |

NOTES

- + DENOTES TERMINAL VOIDED POSITION
⊕ DENOTES TERMINAL LOADED POSITION
| DENOTES POLARIZING RIB POSITION
- MOLEX HOUSING NO. FOR REFERENCE ONLY

| | | | | | | | | | | |
|---|--------|----------------------------|---------|--------|--|----------------|--|-----|--------------|-----------------|
| THIS DRAWING CONTAINS INFORMATION THAT IS PROPRIETARY TO MOLEX ELECTRONIC TECHNOLOGIES, LLC AND SHOULD NOT BE USED WITHOUT WRITTEN PERMISSION | | | | | | | | | | |
| DIMENSION UNITS | SCALE | CURRENT REV DESC: | | | | | | | | |
| mm | 1:1 | | | | | | | | | |
| GENERAL TOLERANCES (UNLESS SPECIFIED) | | EC NO: 675456 | | | APPLI-MATE 2.5 FEMALE G.W.T. 750 VERSION | | | | | |
| ANGULAR TOL | ± 0.5° | DRWN: MBN02 2021/08/24 | | | | | | | | |
| 4 PLACES | ± | CHK'D: MBN02 2021/08/26 | | | PRODUCT CUSTOMER DRAWING | | | | | |
| 3 PLACES | ± 0.05 | APPR: SDEVITT 2021/09/28 | | | | | | | | |
| 2 PLACES | ± 0.1 | INITIAL REVISION: | | | DOCUMENT NUMBER | | | | | |
| 1 PLACE | ± 0.2 | DRWN: CFISHER01 2015/11/24 | | | | | | | | |
| 0 PLACES | ± | APPR: MSHANAHAN 2016/01/20 | | | 930500001 | | | | | |
| DRAFT WHERE APPLICABLE MUST REMAIN WITHIN DIMENSIONS | | THIRD ANGLE PROJECTION | DRAWING | SERIES | | | | | | MATERIAL NUMBER |
| | | | A2-SIZE | 93050 | SEE TABLE | GENERAL MARKET | | PSD | 000 | V1 |
| | | | | | | | | | SHEET NUMBER | |
| | | | | | | | | | 16 OF 17 | |

| 14 CIRCUIT | | | | | | | | |
|-------------|--------------|------------------------|-----------------------|---------------|---------------|--------------|------------------------|---------------|
| PART NUMBER | HOUSING USED | TERMINAL VOID POSITION | REMOVED POSITION KEYS | CONFIGURATION | FIRST ENDWALL | LAST ENDWALL | POLARIZING RIB BETWEEN | COLOUR STRIPE |
| 93050-5501 | 93049-0014 | NONE | NONE | | OPEN | OPEN | NONE | NONE |
| 93050-5502 | 93049-1434 | NONE | NONE | | CLOSED | CLOSED | BETWEEN CCT 13&14 | NONE |
| 93050-5503 | 93049-0014 | CCT 7, 8, 9, 10 | ALL | | OPEN | OPEN | NONE | BLUE |
| 93050-5504 | 93049-0034 | NONE | NONE | | CLOSED | CLOSED | NONE | NONE |
| 93050-5505 | 93049-0134 | NONE | NONE | | CLOSED | CLOSED | BETWEEN CCT 1&2 | NONE |
| 93050-5506 | 93049-0534 | NONE | NONE | | CLOSED | CLOSED | BETWEEN CCT 5&6 | NONE |
| 93050-5507 | 93049-0074 | NONE | NONE | | CLOSED | OPEN | NONE | NONE |
| 93050-5508 | 93049-0214 | NONE | NONE | | OPEN | OPEN | BETWEEN CCT 2 & 3 | NONE |

| 15 CIRCUIT | | | | | | | | |
|-------------|--------------|------------------------|-----------------------|---------------|---------------|--------------|------------------------|---------------|
| PART NUMBER | HOUSING USED | TERMINAL VOID POSITION | REMOVED POSITION KEYS | CONFIGURATION | FIRST ENDWALL | LAST ENDWALL | POLARIZING RIB BETWEEN | COLOUR STRIPE |
| 93050-6001 | 93049-0015 | NONE | NONE | | OPEN | OPEN | NONE | NONE |
| 93050-6002 | 93049-0215 | CCT 10,12,14 | NONE | | OPEN | OPEN | BETWEEN CCT 2&3 | NONE |
| 93050-6003 | 93049-0035 | NONE | NONE | | CLOSED | CLOSED | NONE | NONE |
| 93050-6004 | 93049-0735 | NONE | NONE | | CLOSED | CLOSED | BETWEEN CCT 7&8 | NONE |

| 16 CIRCUIT | | | | | | | | |
|-------------|--------------|------------------------|-----------------------|---------------|---------------|--------------|------------------------|---------------|
| PART NUMBER | HOUSING USED | TERMINAL VOID POSITION | REMOVED POSITION KEYS | CONFIGURATION | FIRST ENDWALL | LAST ENDWALL | POLARIZING RIB BETWEEN | COLOUR STRIPE |
| 93050-6501 | 93049-0016 | NONE | NONE | | OPEN | OPEN | NONE | NONE |
| 93050-6502 | 93049-0636 | NONE | NONE | | CLOSED | CLOSED | BETWEEN CCT 6&7 | NONE |
| 93050-6503 | 93049-1116 | NONE | NONE | | OPEN | OPEN | BETWEEN CCT 11&12 | NONE |

| 17 CIRCUIT | | | | | | | | | | | | | |
|-------------|--------------|------------------------|-----------------------|---------------|---------------|--------------|------------------------|---------------|--|--|--|--|--|
| PART NUMBER | HOUSING USED | TERMINAL VOID POSITION | REMOVED POSITION KEYS | CONFIGURATION | FIRST ENDWALL | LAST ENDWALL | POLARIZING RIB BETWEEN | COLOUR STRIPE | | | | | |
| 93050-7001 | 93049-0017 | NONE | NONE | | OPEN | OPEN | NONE | NONE | | | | | |
| 93050-7002 | 93049-0037 | NONE | NONE | | CLOSED | CLOSED | NONE | NONE | | | | | |
| 93050-7003 | 93049-1017 | NONE | NONE | | OPEN | OPEN | 10 & 11 | NONE | | | | | |

| 18 CIRCUIT | | | | | | | | | | | | | |
|-------------|--------------|------------------------|-----------------------|---------------|---------------|--------------|------------------------|---------------|--|--|--|--|--|
| PART NUMBER | HOUSING USED | TERMINAL VOID POSITION | REMOVED POSITION KEYS | CONFIGURATION | FIRST ENDWALL | LAST ENDWALL | POLARIZING RIB BETWEEN | COLOUR STRIPE | | | | | |
| 93050-7501 | 93049-0018 | NONE | NONE | | OPEN | OPEN | NONE | NONE | | | | | |

| 19 CIRCUIT | | | | | | | | | | | | | |
|-------------|--------------|------------------------|-----------------------|---------------|---------------|--------------|------------------------|---------------|--|--|--|--|--|
| PART NUMBER | HOUSING USED | TERMINAL VOID POSITION | REMOVED POSITION KEYS | CONFIGURATION | FIRST ENDWALL | LAST ENDWALL | POLARIZING RIB BETWEEN | COLOUR STRIPE | | | | | |
| 93050-8001 | 93049-0019 | NONE | NONE | | OPEN | OPEN | NONE | NONE | | | | | |
| 93050-8002 | 93049-0219 | NONE | ALL | | OPEN | OPEN | BETWEEN CCT 2&3 | NONE | | | | | |
| 93050-8003 | 93049-9910 | NONE | ALL | | NARROW FLUSH | NARROW FLUSH | NONE | NONE | | | | | |

| 20 CIRCUIT | | | | | | | | | | | | | |
|-------------|--------------|------------------------|-----------------------|---------------|---------------|--------------|------------------------|---------------|--|--|--|--|--|
| PART NUMBER | HOUSING USED | TERMINAL VOID POSITION | REMOVED POSITION KEYS | CONFIGURATION | FIRST ENDWALL | LAST ENDWALL | POLARIZING RIB BETWEEN | COLOUR STRIPE | | | | | |
| 93050-8501 | 93049-0020 | NONE | NONE | | OPEN | OPEN | NONE | NONE | | | | | |
| 93050-8502 | 93049-0520 | NONE | NONE | | OPEN | OPEN | BETWEEN CCT 5&6 | NONE | | | | | |
| 93050-8503 | 93049-0380 | NONE | NONE | | CLOSED | OPEN | BETWEEN CCT 3&4 | NONE | | | | | |
| 93050-8504 | 93049-0380 | NONE | NONE | | CLOSED | OPEN | BETWEEN CCT 3&4 | BLUE | | | | | |
| 93050-8505 | 93049-0040 | NONE | NONE | | CLOSED | CLOSED | NONE | NONE | | | | | |

NOTES

- + DENOTES TERMINAL VOIDED POSITION
 - ⊕ DENOTES TERMINAL LOADED POSITION
 - | DENOTES POLARIZING RIB POSITION
2. MOLEX HOUSING NO. FOR REFERENCE ONLY

| | | | | | | | | | | | | | | | |
|---|--|-------|--|--|--|------------|--|----------|--|-----------------|--|----------------|--|--------------|--|
| THIS DRAWING CONTAINS INFORMATION THAT IS PROPRIETARY TO MOLEX ELECTRONIC TECHNOLOGIES, LLC AND SHOULD NOT BE USED WITHOUT WRITTEN PERMISSION | | | | | | | | | | | | | | | |
| DIMENSION UNITS | | SCALE | | CURRENT REV DESC: | | | | | | | | | | | |
| mm | | 1:1 | | <p>GENERAL TOLERANCES (UNLESS SPECIFIED)</p> <p>ANGULAR TOL ± 0.5°</p> <p>4 PLACES ±</p> <p>3 PLACES ± 0.05</p> <p>2 PLACES ± 0.1</p> <p>1 PLACE ± 0.2</p> <p>0 PLACES ±</p> | | | | | | | | | | | |
| <p>EC NO: 675456</p> <p>DRWN: MBN02 2021/08/24</p> <p>CHK'D: MBN02 2021/08/26</p> <p>APPR: SDEVITT 2021/09/28</p> | | | | <p>molex</p> <p>APPLI-MATE 2.5 FEMALE G.W.T. 750 VERSION</p> | | | | | | | | | | | |
| <p>INITIAL REVISION:</p> <p>DRWN: CFISHER01 2015/11/24</p> <p>APPR: MSHANAHAN 2016/01/20</p> | | | | <p>PRODUCT CUSTOMER DRAWING</p> | | | | | | | | | | | |
| <p>DRAFT WHERE APPLICABLE MUST REMAIN WITHIN DIMENSIONS</p> | | | | THIRD ANGLE PROJECTION | | DRAWING | | SERIES | | MATERIAL NUMBER | | CUSTOMER | | SHEET NUMBER | |
| | | | | | | A2-SIZE | | 93050 | | SEE TABLE | | GENERAL MARKET | | 17 OF 17 | |
| DOCUMENT STATUS | | P1 | | RELEASE DATE | | 2021/09/28 | | 05:26:21 | | | | | | | |

V1

V1