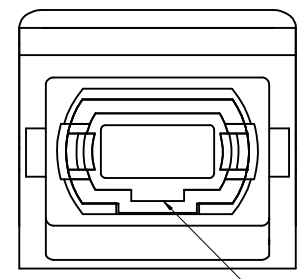
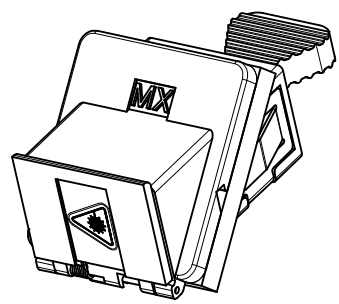
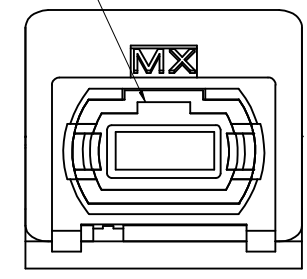


RECOMMENDED MOUNTING PATTERN
SCALE 2.5:1
FOR .063 THICK PANEL
1.6



VIEW A
(DUST CAP NOT SHOWN)



VIEW B
(SHUTTER NOT SHOWN)

NOTES:

1. DIMENSIONS SHOWN ARE FOR REFERENCE ONLY.
2. CONDUCTIVE FABRIC OVER FOAM GASKET (SHOWN COMPRESSED) IS SUPPLIED WITH THE PART.
3. OUTER PARTS ARE DIECAST.
4. DUST CAP SHOWN IN ISOMETRIC VIEW ONLY.
5. ADAPTERS TO BE PACKAGED IN TRAY.

ENTER DESCRIPTION EC NO: MF2013-0747 DRWN: YBEDNYAK 2013/06/04 CHKD: APPR: IGUMIN 2013/06/14 REV: A4	QUALITY SYMBOLS ▽=0 ▽=0	GENERAL TOLERANCES (UNLESS SPECIFIED)		DIMENSION STYLE IN/MM		SCALE 4:1	DESIGN UNITS METRIC	THIRD ANGLE PROJECTION		
		4 PLACES ± --- ± ---	3 PLACES ± --- ± ---	2 PLACES ± --- ± ---	1 PLACE ± --- ± ---	DRAWN BY PGIBLIN	DATE 2005/11/18	TITLE MPO EMI ADAPTER 45 DEGRE 45 DEGREE (SNAP MOUNT)		
		ANGULAR ±1/2°				CHECKED BY	DATE			
		DRAFT WHERE APPLICABLE MUST REMAIN WITHIN DIMENSIONS				APPROVED BY	DATE	mox MOLEX INCORPORATED		SHEET NO. 1 OF 1
				MATERIAL NO. 1061144000		DOCUMENT NO. SD-106114-4000				
THIS DRAWING CONTAINS INFORMATION THAT IS PROPRIETARY TO MOLEX INCORPORATED AND SHOULD NOT BE USED WITHOUT WRITTEN PERMISSION										