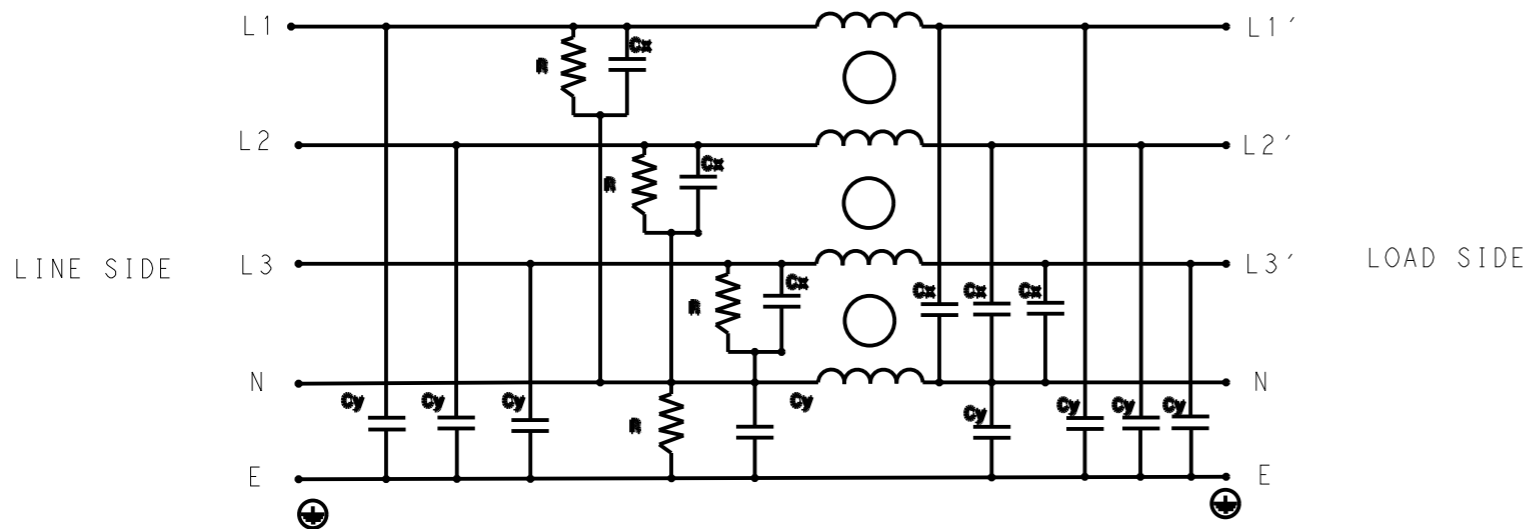


P	LTR	DESCRIPTION	DATE	DWN	APVD
	A	INITIAL RELEASE	12APR2021	BS	CB



SCHEMATIC

**SAFETY ORGANIZATIONS**  
 THIS FILTER WILL BE FORMALLY RECOGNIZED, CERTIFIED OR APPROVED BY THE LISTED AGENCY. THEREFORE, ALL TEST/REQUIREMENTS SPECIFIED IN THE LATEST REVISION OF THE FOLLOWING AGENCY STANDARDS WILL BE MET:

UL APPROVED 10A 520V 50Hz/60Hz 40°C  
 CSA PENDING 10A 520V 50Hz/60Hz 40°C

**OPERATING SPECIFICATION**  
 LINE CURRENT/VOLTAGE: 10A, 520VAC  
 LINE FREQUENCY: 50/60Hz

MAXIMUM LEAKAGE CURRENT: 8.5mA @ 230VAC, 50Hz  
 OPERATING AMBIENT TEMPERATURE RANGE @ RATED CURRENT: -25°C TO +40°C

IN AN AMBIENT, T<sub>a</sub>, HIGHER THAN 40°C, THE MAXIMUM OPERATING CURRENT, I<sub>o</sub>, IS AS FOLLOWS:

$$I_o = I_r \sqrt{\frac{85 - T_a}{45}}$$

**RELIABILITY SPECIFICATIONS**  
 STORAGE TEMPERATURE: -40°C TO +85°C  
 HUMIDITY: 21 DAYS @ 40°C AND 95% RH

**TEST SPECIFICATIONS**  
 INDUCTANCE, NOMINAL: 7.5mH

CAPACITANCE @ 1kHz  
 LINE TO GROUND, NOMINAL: 1.1µF  
 NEUTRAL TO GROUND, NOMINAL: 2.2µF  
 LINE TO NEUTRAL, NOMINAL: 2µF

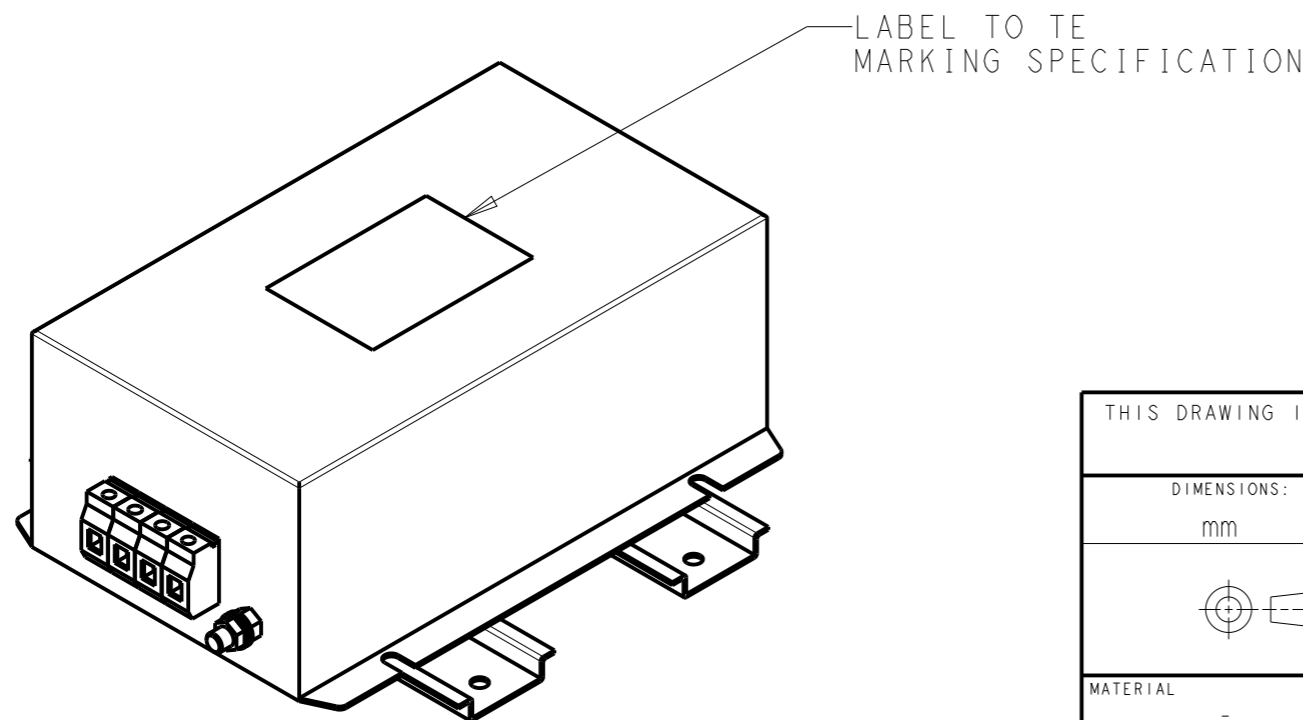
**DISCHARGE RESISTOR**  
 L/L I.R. 2MΩ 1W  
 L/N I.R. 1MΩ 1W  
 L/G I.R. 2MΩ 1W  
 N/G I.R. 1MΩ 1W  
 IR (NO DISCHARGE RESISTOR) 20°C, 50% RH AND 100VDC, MIN: 6MΩ

**RECOMMENDED RECEIVING INSPECITON HIPOT**  
 LINE TO GROUND FOR 1 MINUTE: 2856VDC  
 LINE TO LINE FOR 1 MINUTE: 2236VDC  
 LINE TO NEUTRAL FOR 1 MINUTE: 1290VDC

**FILTER APPROVAL**  
 THE BEST WAY TO SELECT AND QUALIFY A FILTER IS FOR YOUR ENGINEERING TO TEST THE UNIT IN YOUR EQUIPMENT.

TYPICAL INSERTION LOSS  
 COMMON MODE 50/50Ω; DIFFERENTIAL MODE 50/50Ω

MHz	0.01	0.05	0.15	0.5	1	3	5	10	30
CM	60	60	59	54	50	42	37	32	26
DM	30	31	40	54	46	38	33	29	24



THIS DRAWING IS A CONTROLLED DOCUMENT.		DWN 12APR2021 BAPAT SAHAS		
DIMENSIONS: mm		CHK 12APR2021 CHRIS BOLLE		
TOLERANCES UNLESS OTHERWISE SPECIFIED:		APVD 12APR2021 CHRIS BOLLE	NAME POWER LINE FILTER FOR DIN 35 RAIL INSTALLATION 10KEPS10BFPWVM	
0 PLC ±-		PRODUCT SPEC	SIZE	
1 PLC ±0.5		APPLICATION SPEC	CAGE CODE	
2 PLC ±0.40		WEIGHT	DRAWING NO	
3 PLC ±0.130		CUSTOMER DRAWING	RESTRICTED TO	
4 PLC ±0.0500		SCALE 1:2	SHEET 1 OF 2	
ANGLES ±-		REV A		
MATERIAL				
FINISH				

© 2021 TE Connectivity. All Rights Reserved.

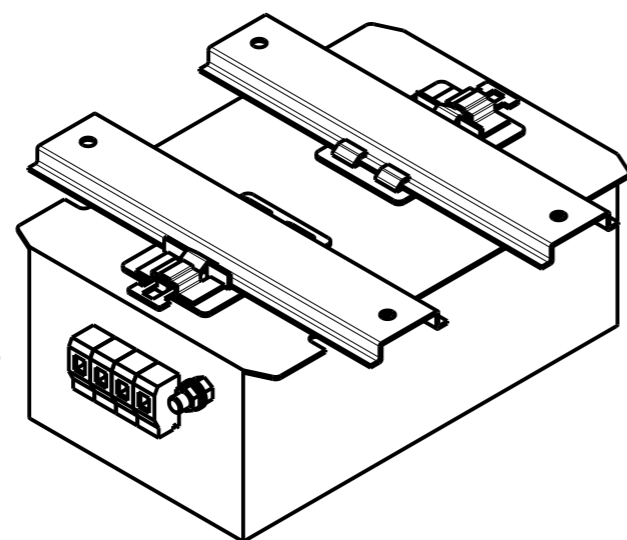
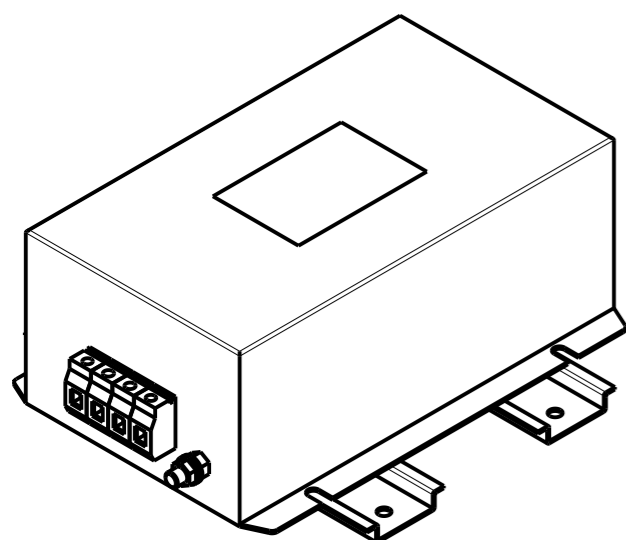
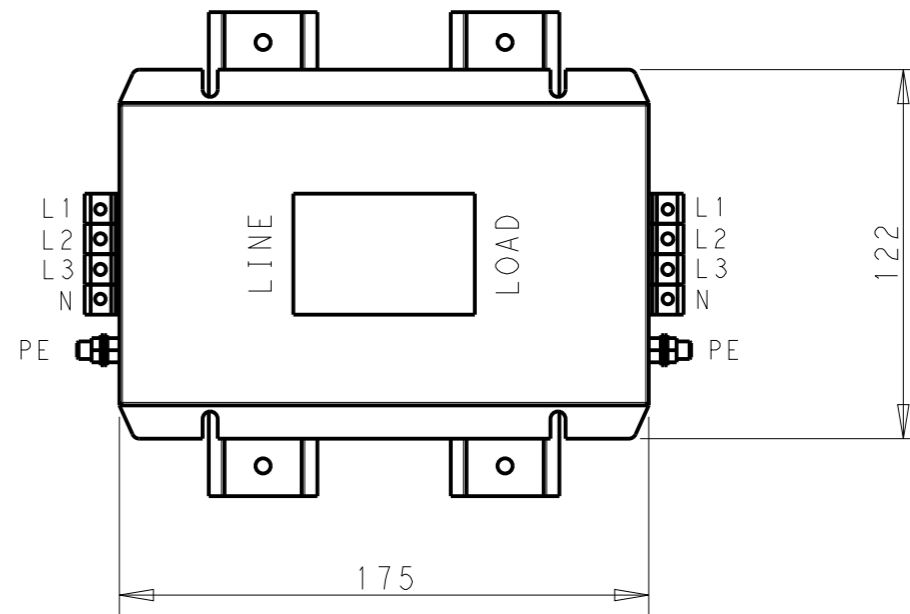
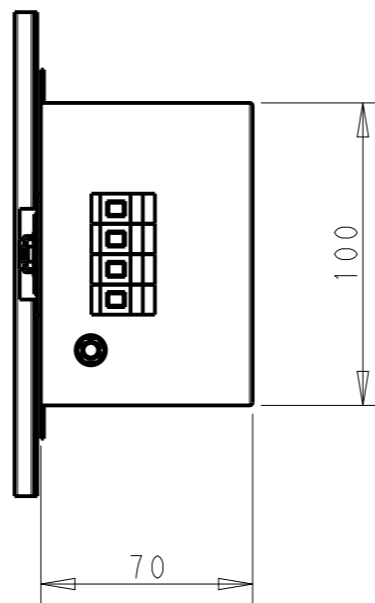
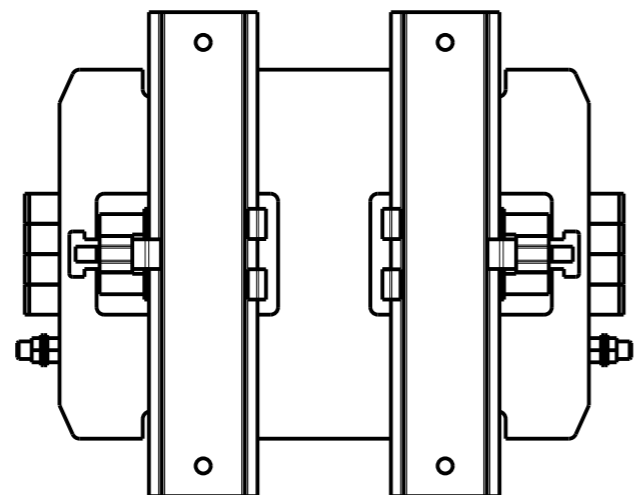
NOTE 1 GROUND CONNECTION:  
 FOR ELECTRICAL SAFETY AND FILTER PERFORMANCE  
 UNIT MUST HAVE A GOOD GROUND CONNECTION.  
 TORQUE OUTER TERMINAL SCREWS: 0.5Nm / 4.5 in.lbs  
 TORQUE GROUND NUTS: 2.5-3Nm

NOTE 2 INPUT OUTPUT CONNECTION TERMINAL  
 AWG SIZE: 26-12 AWG  
 WIRE SECTION: 4 mm<sup>2</sup>  
 THREADED BOLT SIZE FOR GROUND: M6

NOTE 3 SUPPLIED WITH DIN RAIL BRACKET

NOTE 4 DRAWINGS SHOWS DIN RAIL FOR REFERENCE ONLY

REVISIONS					
P	LTR	DESCRIPTION	DATE	DWN	APVD
		SEE SHEET 1			



DIN RAIL CHANNEL

DIN 35 BRACKET

FRONT SIDE

REAR SIDE

THIS DRAWING IS A CONTROLLED DOCUMENT.

DIMENSIONS:	TOLERANCES UNLESS OTHERWISE SPECIFIED:
mm	0 PLC ±0.5
	1 PLC ±0.40
	2 PLC ±0.130
	3 PLC ±0.0500
	4 PLC ±
	ANGLES ±
MATERIAL	FINISH
-	-
-	-

DWN	12APR2021
BAPAT SAHAS	
CHK	12APR2021
CHRIS BOLLE	
APVD	12APR2021
CHRIS BOLLE	
PRODUCT SPEC	-
APPLICATION SPEC	-
WEIGHT	-
CUSTOMER DRAWING	



NAME  
 POWER LINE FILTER FOR  
 DIN 35 RAIL INSTALLATION  
 10KEPS10BFPWVM

SIZE	CAGE CODE	DRAWING NO	RESTRICTED TO
A3	00779	C-7-1609969-9	-
SCALE	SHEET	OF	REV
2:5	2	2	A