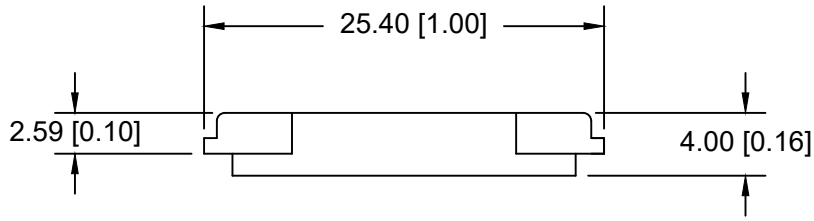
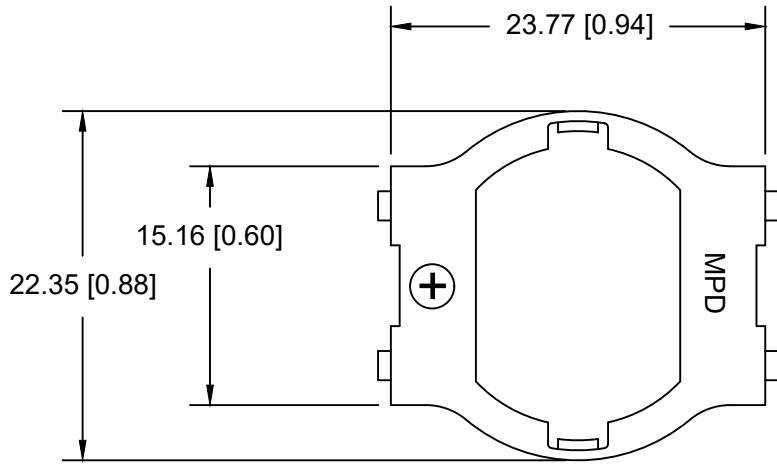



Date	SYM	REVISION RECORD	AUTH	DR.	CK.
12/11/15	D	Added Patent no.	T.B.	B.S.	
10/18/19	E	Added Weight of the part	T.B.	B.S.	



SPECIFICATIONS:

- * Material- Polypropylene, High environment stress crack resistance, Color Clear
- Flammability rating: UL94-HB, file no. E216959
- Temperature Range: -40°C to +80°C
- ROHS COMPLIANT

Weight: 0.33g
PAT: 9,192,059

Tolerance (Inches)	 Memory Protection Devices, Inc 200 Broad Hollow Road, Farmingdale, New York 11735		
Decimal ±.5 (.020)		Scale	Drawn By B.S.
Fractional ± .8 (.030)	Title COVER FOR BHSD-2032		
Angular ± 3°	Date 10/18/19	Drawing Number BHSD-2032-COVER	
			Approved By T.B.